

## Boutons étoiles à tige filetée · plastique

EH 24750.



### Description produit

#### Matières

##### Couvercle

- thermoplastique (PA), noir similaire à RAL 9005
- thermoplastique (PA), blanc similaire à RAL 9019
- thermoplastique (PA), orange similaire à RAL 2004
- thermoplastique (PA), jaune similaire à RAL 1016
- thermoplastique (PA), bleu similaire à RAL 5015

##### Poignée

- thermoplastique (PA 6), noir similaire à RAL 9005

##### Vis

- inox

#### Plus d'informations

#### Notes



Exécutions spéciales, p. ex. autres filetages ou autres longueurs filetées, sur demande.

### Plan



### Informations détaillées

Dimensions							Température		Poids	Référence article
d <sub>1</sub>	d <sub>2</sub>	l	d <sub>3</sub>	l <sub>1</sub>	l <sub>2</sub>	min.	max.	[g]		
[mm]						[°C]				
<b>noir</b>										
30	M 4	10	14,0	19	7	-30	80	6,1	<a href="#">24750.0100</a>	
30	M 4	14	14,0	19	7	-30	80	6,6	<a href="#">24750.0110</a>	
30	M 4	18	14,0	19	7	-30	80	6,9	<a href="#">24750.0120</a>	
30	M 4	23	14,0	19	7	-30	80	7,3	<a href="#">24750.0130</a>	
30	M 4	28	14,0	19	7	-30	80	7,7	<a href="#">24750.0140</a>	
30	M 5	10	14,0	19	7	-30	80	7,5	<a href="#">24750.0150</a>	
30	M 5	14	14,0	19	7	-30	80	7,9	<a href="#">24750.0160</a>	
30	M 5	18	14,0	19	7	-30	80	8,4	<a href="#">24750.0170</a>	
30	M 5	23	14,0	19	7	-30	80	9,0	<a href="#">24750.0180</a>	
30	M 5	28	14,0	19	7	-30	80	9,0	<a href="#">24750.0190</a>	
40	M 5	10	16,5	22	9	-30	80	9,6	<a href="#">24750.0200</a>	
40	M 5	14	16,5	22	9	-30	80	10,0	<a href="#">24750.0210</a>	
40	M 5	18	16,5	22	9	-30	80	11,0	<a href="#">24750.0220</a>	
40	M 5	23	16,5	22	9	-30	80	12,0	<a href="#">24750.0230</a>	
40	M 5	28	16,5	22	9	-30	80	12,0	<a href="#">24750.0240</a>	
40	M 6	14	16,5	22	9	-30	80	12,0	<a href="#">24750.0250</a>	
40	M 6	18	16,5	22	9	-30	80	13,0	<a href="#">24750.0260</a>	
40	M 6	23	16,5	22	9	-30	80	14,0	<a href="#">24750.0270</a>	

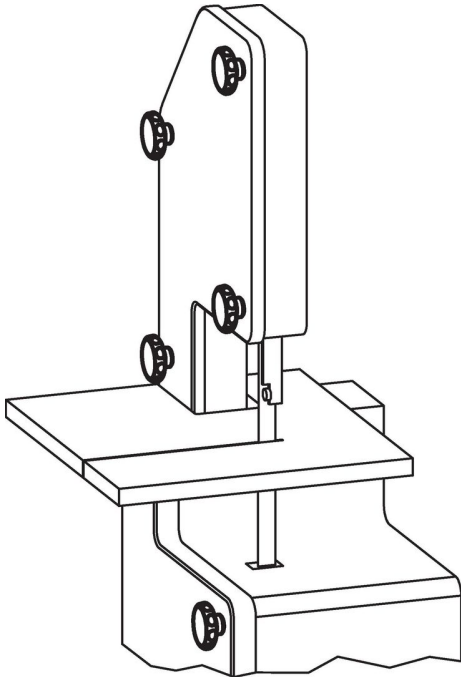
d <sub>1</sub>	d <sub>2</sub>	Dimensions				l <sub>1</sub>	l <sub>2</sub>				Référence article
		l	d <sub>3</sub>	min.	max.			[g]			
		[mm]				[°C]					
40	M 6	28	16,5	22	9	-30	80	15,0	24750.0280		
40	M 6	38	16,5	22	9	-30	80	16,0	24750.0290		
50	M 6	14	22,0	26	10	-30	80	19,0	24750.0300		
50	M 6	18	22,0	26	10	-30	80	19,0	24750.0310		
50	M 6	23	22,0	26	10	-30	80	20,0	24750.0320		
50	M 6	28	22,0	26	10	-30	80	21,0	24750.0330		
50	M 6	38	22,0	26	10	-30	80	23,0	24750.0340		
50	M 8	18	22,0	26	10	-30	80	26,0	24750.0350		
50	M 8	23	22,0	26	10	-30	80	27,0	24750.0360		
50	M 8	28	22,0	26	10	-30	80	29,0	24750.0370		
50	M 8	38	22,0	26	10	-30	80	32,0	24750.0380		
50	M 8	48	22,0	26	10	-30	80	35,0	24750.0390		
62	M 8	18	22,0	35	13	-30	80	40,0	24750.0400		
62	M 8	23	22,0	35	13	-30	80	41,0	24750.0410		
62	M 8	28	22,0	35	13	-30	80	43,0	24750.0420		
62	M 8	38	22,0	35	13	-30	80	46,0	24750.0430		
62	M 8	48	22,0	35	13	-30	80	49,0	24750.0440		
62	M10	23	22,0	35	13	-30	80	51,0	24750.0450		
62	M10	28	22,0	35	13	-30	80	54,0	24750.0460		
62	M10	38	22,0	35	13	-30	80	59,0	24750.0470		
62	M10	48	22,0	35	13	-30	80	64,0	24750.0480		
62	M10	58	22,0	35	13	-30	80	69,0	24750.0490		
<b>blanc</b>											
30	M 4	10	14,0	19	7	-30	80	6,1	24750.0101		
30	M 4	14	14,0	19	7	-30	80	6,6	24750.0111		
30	M 4	18	14,0	19	7	-30	80	6,9	24750.0121		
30	M 4	23	14,0	19	7	-30	80	7,3	24750.0131		
30	M 4	28	14,0	19	7	-30	80	7,7	24750.0141		
30	M 5	10	14,0	19	7	-30	80	7,5	24750.0151		
30	M 5	14	14,0	19	7	-30	80	7,9	24750.0161		
30	M 5	18	14,0	19	7	-30	80	8,4	24750.0171		
30	M 5	23	14,0	19	7	-30	80	9,0	24750.0181		
30	M 5	28	14,0	19	7	-30	80	9,0	24750.0191		
40	M 5	10	16,5	22	9	-30	80	9,6	24750.0201		
40	M 5	14	16,5	22	9	-30	80	10,0	24750.0211		
40	M 5	18	16,5	22	9	-30	80	11,0	24750.0221		
40	M 5	23	16,5	22	9	-30	80	12,0	24750.0231		
40	M 5	28	16,5	22	9	-30	80	12,0	24750.0241		
40	M 6	14	16,5	22	9	-30	80	12,0	24750.0251		
40	M 6	18	16,5	22	9	-30	80	13,0	24750.0261		
40	M 6	23	16,5	22	9	-30	80	14,0	24750.0271		
40	M 6	28	16,5	22	9	-30	80	15,0	24750.0281		
40	M 6	38	16,5	22	9	-30	80	16,0	24750.0291		
50	M 6	14	22,0	26	10	-30	80	19,0	24750.0301		
50	M 6	18	22,0	26	10	-30	80	19,0	24750.0311		
50	M 6	23	22,0	26	10	-30	80	20,0	24750.0321		
50	M 6	28	22,0	26	10	-30	80	21,0	24750.0331		
50	M 6	38	22,0	26	10	-30	80	23,0	24750.0341		
50	M 8	18	22,0	26	10	-30	80	26,0	24750.0351		
50	M 8	23	22,0	26	10	-30	80	27,0	24750.0361		
50	M 8	28	22,0	26	10	-30	80	29,0	24750.0371		
50	M 8	38	22,0	26	10	-30	80	32,0	24750.0381		
50	M 8	48	22,0	26	10	-30	80	35,0	24750.0391		
62	M 8	18	22,0	35	13	-30	80	40,0	24750.0401		
62	M 8	23	22,0	35	13	-30	80	41,0	24750.0411		
62	M 8	28	22,0	35	13	-30	80	43,0	24750.0421		
62	M 8	38	22,0	35	13	-30	80	46,0	24750.0431		
62	M 8	48	22,0	35	13	-30	80	49,0	24750.0441		
62	M10	23	22,0	35	13	-30	80	51,0	24750.0451		

Dimensions						Température		Référence article	
d <sub>1</sub>	d <sub>2</sub>	l	d <sub>3</sub>	l <sub>1</sub>	l <sub>2</sub>	min.	max.		
[mm]					[°C]		[g]		
62	M10	28	22,0	35	13	-30	80	54,0	<a href="#">24750.0461</a>
62	M10	38	22,0	35	13	-30	80	59,0	<a href="#">24750.0471</a>
62	M10	48	22,0	35	13	-30	80	64,0	<a href="#">24750.0481</a>
62	M10	58	22,0	35	13	-30	80	69,0	<a href="#">24750.0491</a>
<b>orange</b>									
30	M 4	10	14,0	19	7	-30	80	6,1	<a href="#">24750.0102</a>
30	M 4	14	14,0	19	7	-30	80	6,6	<a href="#">24750.0112</a>
30	M 4	18	14,0	19	7	-30	80	6,9	<a href="#">24750.0122</a>
30	M 4	23	14,0	19	7	-30	80	7,3	<a href="#">24750.0132</a>
30	M 4	28	14,0	19	7	-30	80	7,7	<a href="#">24750.0142</a>
30	M 5	10	14,0	19	7	-30	80	7,5	<a href="#">24750.0152</a>
30	M 5	14	14,0	19	7	-30	80	7,9	<a href="#">24750.0162</a>
30	M 5	18	14,0	19	7	-30	80	8,4	<a href="#">24750.0172</a>
30	M 5	23	14,0	19	7	-30	80	9,0	<a href="#">24750.0182</a>
30	M 5	28	14,0	19	7	-30	80	9,0	<a href="#">24750.0192</a>
40	M 5	10	16,5	22	9	-30	80	9,6	<a href="#">24750.0202</a>
40	M 5	14	16,5	22	9	-30	80	10,0	<a href="#">24750.0212</a>
40	M 5	18	16,5	22	9	-30	80	11,0	<a href="#">24750.0222</a>
40	M 5	23	16,5	22	9	-30	80	12,0	<a href="#">24750.0232</a>
40	M 5	28	16,5	22	9	-30	80	12,0	<a href="#">24750.0242</a>
40	M 6	14	16,5	22	9	-30	80	12,0	<a href="#">24750.0252</a>
40	M 6	18	16,5	22	9	-30	80	13,0	<a href="#">24750.0262</a>
40	M 6	23	16,5	22	9	-30	80	14,0	<a href="#">24750.0272</a>
40	M 6	28	16,5	22	9	-30	80	15,0	<a href="#">24750.0282</a>
40	M 6	38	16,5	22	9	-30	80	16,0	<a href="#">24750.0292</a>
50	M 6	14	22,0	26	10	-30	80	19,0	<a href="#">24750.0302</a>
50	M 6	18	22,0	26	10	-30	80	19,0	<a href="#">24750.0312</a>
50	M 6	23	22,0	26	10	-30	80	20,0	<a href="#">24750.0322</a>
50	M 6	28	22,0	26	10	-30	80	21,0	<a href="#">24750.0332</a>
50	M 6	38	22,0	26	10	-30	80	23,0	<a href="#">24750.0342</a>
50	M 8	18	22,0	26	10	-30	80	26,0	<a href="#">24750.0352</a>
50	M 8	23	22,0	26	10	-30	80	27,0	<a href="#">24750.0362</a>
50	M 8	28	22,0	26	10	-30	80	29,0	<a href="#">24750.0372</a>
50	M 8	38	22,0	26	10	-30	80	32,0	<a href="#">24750.0382</a>
50	M 8	48	22,0	26	10	-30	80	35,0	<a href="#">24750.0392</a>
62	M 8	18	22,0	35	13	-30	80	40,0	<a href="#">24750.0402</a>
62	M 8	23	22,0	35	13	-30	80	41,0	<a href="#">24750.0412</a>
62	M 8	28	22,0	35	13	-30	80	43,0	<a href="#">24750.0422</a>
62	M 8	38	22,0	35	13	-30	80	46,0	<a href="#">24750.0432</a>
62	M 8	48	22,0	35	13	-30	80	49,0	<a href="#">24750.0442</a>
62	M10	23	22,0	35	13	-30	80	51,0	<a href="#">24750.0452</a>
62	M10	28	22,0	35	13	-30	80	54,0	<a href="#">24750.0462</a>
62	M10	38	22,0	35	13	-30	80	59,0	<a href="#">24750.0472</a>
62	M10	48	22,0	35	13	-30	80	64,0	<a href="#">24750.0482</a>
62	M10	58	22,0	35	13	-30	80	69,0	<a href="#">24750.0492</a>
<b>jaune</b>									
30	M 4	10	14,0	19	7	-30	80	6,1	<a href="#">24750.0103</a>
30	M 4	14	14,0	19	7	-30	80	6,6	<a href="#">24750.0113</a>
30	M 4	18	14,0	19	7	-30	80	6,9	<a href="#">24750.0123</a>
30	M 4	23	14,0	19	7	-30	80	7,3	<a href="#">24750.0133</a>
30	M 4	28	14,0	19	7	-30	80	7,7	<a href="#">24750.0143</a>
30	M 5	10	14,0	19	7	-30	80	7,5	<a href="#">24750.0153</a>
30	M 5	14	14,0	19	7	-30	80	7,9	<a href="#">24750.0163</a>
30	M 5	18	14,0	19	7	-30	80	8,4	<a href="#">24750.0173</a>
30	M 5	23	14,0	19	7	-30	80	9,0	<a href="#">24750.0183</a>
30	M 5	28	14,0	19	7	-30	80	9,0	<a href="#">24750.0193</a>
40	M 5	10	16,5	22	9	-30	80	9,6	<a href="#">24750.0203</a>
40	M 5	14	16,5	22	9	-30	80	10,0	<a href="#">24750.0213</a>
40	M 5	18	16,5	22	9	-30	80	11,0	<a href="#">24750.0223</a>
40	M 5	23	16,5	22	9	-30	80	12,0	<a href="#">24750.0233</a>
40	M 5	28	16,5	22	9	-30	80	12,0	<a href="#">24750.0243</a>
40	M 6	14	16,5	22	9	-30	80	12,0	<a href="#">24750.0253</a>

Dimensions						Température		Référence article	
d <sub>1</sub>	d <sub>2</sub>	l	d <sub>3</sub>	l <sub>1</sub>	l <sub>2</sub>	min.	max.		
[mm]					[°C]		[g]		
40	M 6	18	16,5	22	9	-30	80	13,0	<a href="#">24750.0263</a>
40	M 6	23	16,5	22	9	-30	80	14,0	<a href="#">24750.0273</a>
40	M 6	28	16,5	22	9	-30	80	15,0	<a href="#">24750.0283</a>
40	M 6	38	16,5	22	9	-30	80	16,0	<a href="#">24750.0293</a>
50	M 6	14	22,0	26	10	-30	80	19,0	<a href="#">24750.0303</a>
50	M 6	18	22,0	26	10	-30	80	19,0	<a href="#">24750.0313</a>
50	M 6	23	22,0	26	10	-30	80	20,0	<a href="#">24750.0323</a>
50	M 6	28	22,0	26	10	-30	80	21,0	<a href="#">24750.0333</a>
50	M 6	38	22,0	26	10	-30	80	23,0	<a href="#">24750.0343</a>
50	M 8	18	22,0	26	10	-30	80	26,0	<a href="#">24750.0353</a>
50	M 8	23	22,0	26	10	-30	80	27,0	<a href="#">24750.0363</a>
50	M 8	28	22,0	26	10	-30	80	29,0	<a href="#">24750.0373</a>
50	M 8	38	22,0	26	10	-30	80	32,0	<a href="#">24750.0383</a>
50	M 8	48	22,0	26	10	-30	80	35,0	<a href="#">24750.0393</a>
62	M 8	18	22,0	35	13	-30	80	40,0	<a href="#">24750.0403</a>
62	M 8	23	22,0	35	13	-30	80	41,0	<a href="#">24750.0413</a>
62	M 8	28	22,0	35	13	-30	80	43,0	<a href="#">24750.0423</a>
62	M 8	38	22,0	35	13	-30	80	46,0	<a href="#">24750.0433</a>
62	M 8	48	22,0	35	13	-30	80	49,0	<a href="#">24750.0443</a>
62	M10	23	22,0	35	13	-30	80	51,0	<a href="#">24750.0453</a>
62	M10	28	22,0	35	13	-30	80	54,0	<a href="#">24750.0463</a>
62	M10	38	22,0	35	13	-30	80	59,0	<a href="#">24750.0473</a>
62	M10	48	22,0	35	13	-30	80	64,0	<a href="#">24750.0483</a>
62	M10	58	22,0	35	13	-30	80	69,0	<a href="#">24750.0493</a>
<b>bleu</b>									
30	M 4	10	14,0	19	7	-30	80	6,1	<a href="#">24750.0104</a>
30	M 4	14	14,0	19	7	-30	80	6,6	<a href="#">24750.0114</a>
30	M 4	18	14,0	19	7	-30	80	6,9	<a href="#">24750.0124</a>
30	M 4	23	14,0	19	7	-30	80	7,3	<a href="#">24750.0134</a>
30	M 4	28	14,0	19	7	-30	80	7,7	<a href="#">24750.0144</a>
30	M 5	10	14,0	19	7	-30	80	7,5	<a href="#">24750.0154</a>
30	M 5	14	14,0	19	7	-30	80	7,9	<a href="#">24750.0164</a>
30	M 5	18	14,0	19	7	-30	80	8,4	<a href="#">24750.0174</a>
30	M 5	23	14,0	19	7	-30	80	9,0	<a href="#">24750.0184</a>
30	M 5	28	14,0	19	7	-30	80	9,0	<a href="#">24750.0194</a>
40	M 5	10	16,5	22	9	-30	80	9,6	<a href="#">24750.0204</a>
40	M 5	14	16,5	22	9	-30	80	10,0	<a href="#">24750.0214</a>
40	M 5	18	16,5	22	9	-30	80	11,0	<a href="#">24750.0224</a>
40	M 5	23	16,5	22	9	-30	80	12,0	<a href="#">24750.0234</a>
40	M 5	28	16,5	22	9	-30	80	12,0	<a href="#">24750.0244</a>
40	M 6	14	16,5	22	9	-30	80	12,0	<a href="#">24750.0254</a>
40	M 6	18	16,5	22	9	-30	80	13,0	<a href="#">24750.0264</a>
40	M 6	23	16,5	22	9	-30	80	14,0	<a href="#">24750.0274</a>
40	M 6	28	16,5	22	9	-30	80	15,0	<a href="#">24750.0284</a>
40	M 6	38	16,5	22	9	-30	80	16,0	<a href="#">24750.0294</a>
50	M 6	14	22,0	26	10	-30	80	19,0	<a href="#">24750.0304</a>
50	M 6	18	22,0	26	10	-30	80	19,0	<a href="#">24750.0314</a>
50	M 6	23	22,0	26	10	-30	80	20,0	<a href="#">24750.0324</a>
50	M 6	28	22,0	26	10	-30	80	21,0	<a href="#">24750.0334</a>
50	M 6	38	22,0	26	10	-30	80	23,0	<a href="#">24750.0344</a>
50	M 8	18	22,0	26	10	-30	80	26,0	<a href="#">24750.0354</a>
50	M 8	23	22,0	26	10	-30	80	27,0	<a href="#">24750.0364</a>
50	M 8	28	22,0	26	10	-30	80	29,0	<a href="#">24750.0374</a>
50	M 8	38	22,0	26	10	-30	80	32,0	<a href="#">24750.0384</a>
50	M 8	48	22,0	26	10	-30	80	35,0	<a href="#">24750.0394</a>
62	M 8	18	22,0	35	13	-30	80	40,0	<a href="#">24750.0404</a>
62	M 8	23	22,0	35	13	-30	80	41,0	<a href="#">24750.0414</a>
62	M 8	28	22,0	35	13	-30	80	43,0	<a href="#">24750.0424</a>
62	M 8	38	22,0	35	13	-30	80	46,0	<a href="#">24750.0434</a>
62	M 8	48	22,0	35	13	-30	80	49,0	<a href="#">24750.0444</a>
62	M10	23	22,0	35	13	-30	80	51,0	<a href="#">24750.0454</a>

d <sub>1</sub>	d <sub>2</sub>	Dimensions				Température		Référence article	
		l	d <sub>3</sub>	l <sub>1</sub>	l <sub>2</sub>	min.	max.		
		[mm]				[°C]		[g]	
62	M10	28	22,0	35	13	-30	80	54,0	<a href="#">24750.0464</a>
62	M10	38	22,0	35	13	-30	80	59,0	<a href="#">24750.0474</a>
62	M10	48	22,0	35	13	-30	80	64,0	<a href="#">24750.0484</a>
62	M10	58	22,0	35	13	-30	80	69,0	<a href="#">24750.0494</a>

### Exemple d'application



### Conformité

#### Conforme à la directive RoHS

Conforme à la directive 2011/65/CE et à la directive 2015/863.

#### Ne contient pas de substances SVHC

Pas de substances SVHC avec une teneur supérieure à 0,1% m/m – Liste SVHC [REACH] au 27.06.2024.

#### Ne contient pas de substances de la Proposition 65

Aucune des substances de la Proposition 65 présente.

<https://www.P65Warnings.ca.gov/>

#### Ne contient pas de minerais de la guerre

Ce produit ne contient pas de substances classées comme "minerais de la guerre" telles que le tantale, l'étain, l'or ou le wolfram provenant de République démocratique du Congo ou de pays frontaliers.