

Lateral Plungers • smooth, with seal, with female thread - INCH
EH 2B150.



Product Description

To be used for positioning and applying pressure, e.g. during painting and sandblasting. Sealed against chips and dirt.

Material

Seal

- CR

Body

- Aluminium Al

Threaded washer

- Steel, blackened

Spring

- Stainless steel
- Steel, blackened
- Steel, zinc-plated by galvanization

Assembly

Formula for calculating the center distance for the mounting hole:

$$l_0 = z/2 + w + x,$$

l_0 = center distance,

y = workpiece height,

w = workpiece length,

x = stroke,

z = stop diameter

Calculation dimension x for workpieces:

$$x = d_2/2 - s$$

Installation by pressing in.

Characteristic

Version light spring load = spring from stainless steel

Version standard spring load = spring from steel, blackened

Version heavy spring load = spring from steel, zinc-plated by galvanization

More information

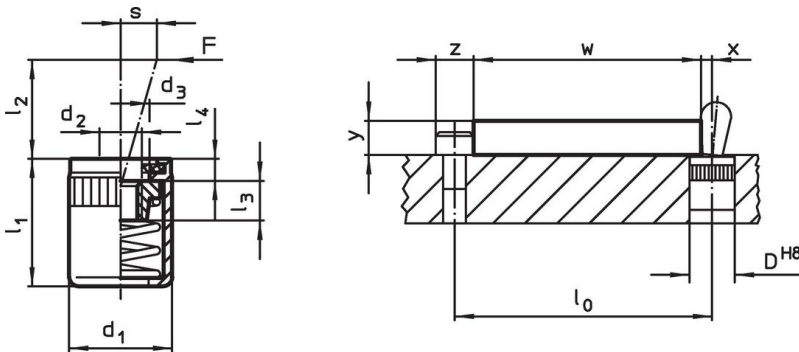
Notes

Individual set screws can be screwed in the plate with threaded hole.

Further products

- Eccentric Mounting Bushings, for lateral plungers, smooth - INCH


Drawing



Order information



Dimensions		Spring load F max. ¹⁾	d ₃ +0.008	l ₁ -0.08	Dimensions			Stroke s	Location hole D H8	max. °F	oz	Art. No.
d ₁	d ₂				l ₂	l ₃	l ₄					
[in]		[lb]	[mm]		[in]		[in]	[in]	[°F]	[oz]		
Light spring load												
7/16	#8-32	4.5	0.248	0.430	0.157	0.177	0.063	0.063	7/16	230	0.083	2B150.1120
7/16	#8-32	9.0	0.248	0.430	0.295	0.177	0.063	0.079	7/16	230	0.085	2B150.1125
5/8	1/4-20	22.5	0.401	0.709	0.453	0.295	0.079	0.126	5/8	230	0.368	2B150.1140

¹⁾ statistical average value

Dimensions		Spring load F max. ¹⁾ ~	d ₃ +0.008 [mm]	Dimensions				Stroke s [in]	Location hole D H8 [in]	max. [°F]	 [oz]	Art. No.
d ₁ [in]	d ₂			l ₁ -0.08	l ₂	l ₃	l ₄					
Standard spring load												
7/16	#8-32	11.2	0.248	0.430	0.157	0.177	0.063	0.063	7/16	230	0.090	2B150.1121
7/16	#8-32	16.9	0.248	0.430	0.295	0.177	0.063	0.079	7/16	230	0.094	2B150.1126
5/8	1/4-20	34.0	0.401	0.709	0.453	0.295	0.079	0.126	5/8	230	0.312	2B150.1141
Heavy spring load												
7/16	#8-32	22.5	0.248	0.430	0.157	0.177	0.063	0.063	7/16	230	0.096	2B150.1122
7/16	#8-32	34.0	0.248	0.430	0.295	0.177	0.063	0.079	7/16	230	0.107	2B150.1127
5/8	1/4-20	45.0	0.401	0.709	0.453	0.295	0.079	0.126	5/8	230	0.334	2B150.1142

¹⁾ statistical average value

Accessories

	Dimensions d ₁ [in]	 [oz]	Art. No.
assembly tool			
	7/16	1.749	22150.0831
	5/8	3.749	22150.0833

Compliance

For detailed compliance information please select the desired article number.