

Lateral Plungers • smooth, without seal, with female thread - INCH EH 2B150.



Product Description

To be used for positioning and applying pressure, e.g. during painting and sandblasting.

Material

Body

- Aluminium Al

Threaded washer

- Steel, blackened

Spring

- Stainless steel
- Steel, blackened
- Steel, zinc-plated by galvanization

Assembly

Formula for calculating the center distance for the mounting hole:

$$l_0 = z/2 + w + x,$$

l_0 = center distance,

y = workpiece height,

w = workpiece length,

x = stroke,

z = stop diameter

Calculation dimension x for workpieces:

$$x = d_2/2 - s$$

Installation by pressing in.

Characteristic

Version light spring load = spring from stainless steel

Version standard spring load = spring from steel, blackened

Version heavy spring load = spring from steel, zinc-plated by galvanization

More information

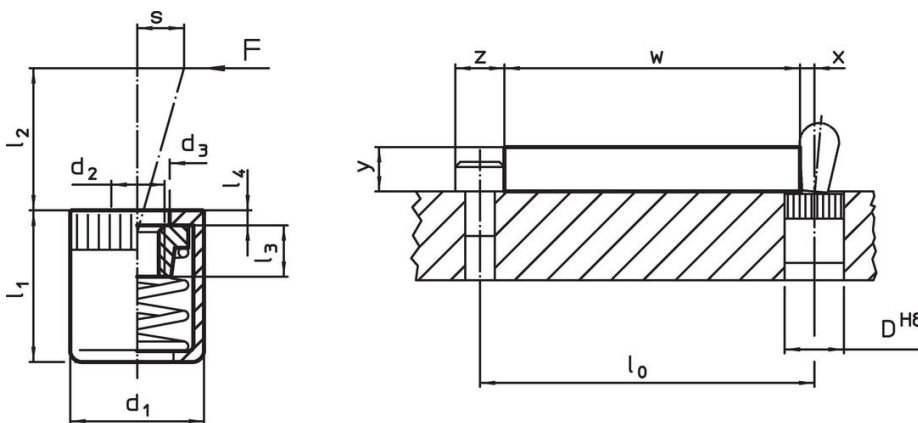
Notes

Individual set screws can be screwed in the plate with threaded hole.

Further products

- Eccentric Mounting Bushings, for lateral plungers, smooth - INCH


Drawing



Order information



Dimensions		Spring load F max. ¹⁾ ~ [lb]	d ₃ +0.008	l ₁ -0.08	Dimensions			Stroke s [in]	Location hole D H8 [in]	T _{max.} [°F]	⚙️ [oz]	Art. No.
d ₁	d ₂				l ₂	l ₃	l ₄					
[in]	[in]	[lb]			[in]	[in]	[in]	[in]	[°F]	[oz]		
Light spring load												
7/16	#8-32	4.5	0.248	0.433	0.157	0.177	0.047	0.063	7/16	482	0.081	2B150.1020
7/16	#8-32	9.0	0.248	0.433	0.295	0.177	0.047	0.079	7/16	482	0.081	2B150.1025
5/8	1/4-20	22.5	0.409	0.669	0.453	0.295	0.067	0.126	5/8	482	0.369	2B150.1040

¹⁾ statistical average value

Dimensions		Spring load F max. ¹⁾ ~ [lb]	d ₃ +0.008	Dimensions				Stroke s [in]	Location hole D H8 [in]	max. [°F]	 [oz]	Art. No.
d ₁ [in]	d ₂			l ₁	l ₂	l ₃	l ₄					
Standard spring load												
7/16	#8-32	11.2	0.248	0.433	0.157	0.177	0.047	0.063	7/16	482	0.088	2B150.1021
7/16	#8-32	16.9	0.248	0.433	0.295	0.177	0.047	0.079	7/16	482	0.092	2B150.1026
5/8	1/4-20	34.0	0.409	0.669	0.453	0.295	0.067	0.126	5/8	482	0.319	2B150.1041
Heavy spring load												
7/16	#8-32	22.5	0.248	0.433	0.157	0.177	0.047	0.063	7/16	482	0.095	2B150.1022
7/16	#8-32	34.0	0.248	0.433	0.295	0.177	0.047	0.079	7/16	482	0.100	2B150.1027
5/8	1/4-20	45.0	0.409	0.669	0.453	0.295	0.067	0.126	5/8	482	0.342	2B150.1042

¹⁾ statistical average value

Accessories

	Dimensions d ₁ [in]	 [oz]	Art. No.
assembly tool			
	7/16	1.749	22150.0831
	5/8	3.749	22150.0833

Compliance

For detailed compliance information please select the desired article number.