

## Spring Plungers · with ball and slot - INCH EH 2B050.



### Product Description

To be used for positioning, indexing, locking, latching as well as for other similar pressure applications.

Spring plungers can be used for locating or for applying pressure, as a detent or for ejection.

### Material

#### Body

- Free cutting steel, blackened
- Stainless steel 1.4305 (ASTM-A-582)

#### Ball

- Stainless steel, hardened

#### Spring

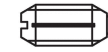
- Stainless steel

### Characteristic

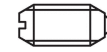
Light spring load: marked with one line

Standard spring load: no marking

Heavy spring load: marked with two lines



Light spring load



Standard spring load



Heavy spring load

### More information

### Notes

Special types on request.

Spring plungers are specially tested for spring range and forces.

- This product is manufactured in INCH dimensions.

### References

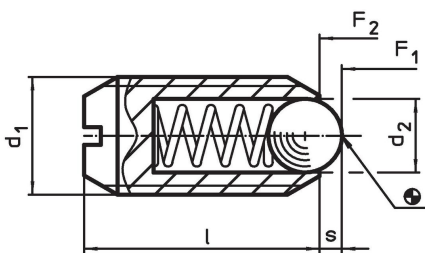
A conversion table can be found in the technical data following these product information pages.

Thread lock: polyamide spot coating (for details please refer to the technical appendix).  
Calculation of indexing resistance, please refer to appendix - Technical Data -

### Further products

- Spring Plungers, with ball and slot
- Locators, with bore hole, for spring plungers
- Locators, smooth, for spring plungers

### Drawing



### Order information

| d <sub>1</sub>  | Dimensions |       | d <sub>2</sub> | l    | Stroke<br>s | Spring load <sup>1)</sup> |      | min. | max. | oz  | Art. No. |                     |
|---|------------|-------|----------------|------|-------------|---------------------------|------|------|------|-----|----------|---------------------|
|   | Thread     | [in]  |                |      |             | [in]                      | [in] |      |      |     |          | F <sub>1</sub><br>~ |
| <b>free cutting steel, light spring load, Without thread lock</b> |            |       |                |      |             |                           |      |      |      |     |          |                     |
| #10-32  |            | 0.190 | 2A-UNF         | 3/32 | 33/64       | 0.025                     | 0.9  | 1.5  | -22  | 482 | 0.049    | 2B050.0010          |
| 1/4-20  | 1/4        | 0.250 | 2A-UNC         | 1/8  | 17/32       | 0.035                     | 2.1  | 4.0  | -22  | 482 | 0.074    | 2B050.0012          |
| 5/16-18   | 5/16       | 0.313 | 2A-UNC         | 5/32 | 37/64       | 0.040                     | 2.0  | 4.6  | -22  | 482 | 0.114    | 2B050.0016          |
| 3/8-16  | 3/8        | 0.375 | 2A-UNC         | 3/16 | 5/8         | 0.048                     | 2.5  | 5.0  | -22  | 482 | 0.193    | 2B050.0018          |
| 1/2-13  | 1/2        | 0.500 | 2A-UNC         | 9/32 | 3/4         | 0.072                     | 3.0  | 6.0  | -22  | 482 | 0.397    | 2B050.0020          |
| 5/8-11  | 5/8        | 0.625 | 2A-UNC         | 3/8  | 63/64       | 0.096                     | 4.5  | 9.0  | -22  | 482 | 0.787    | 2B050.0022          |

<sup>1)</sup> statistical average value

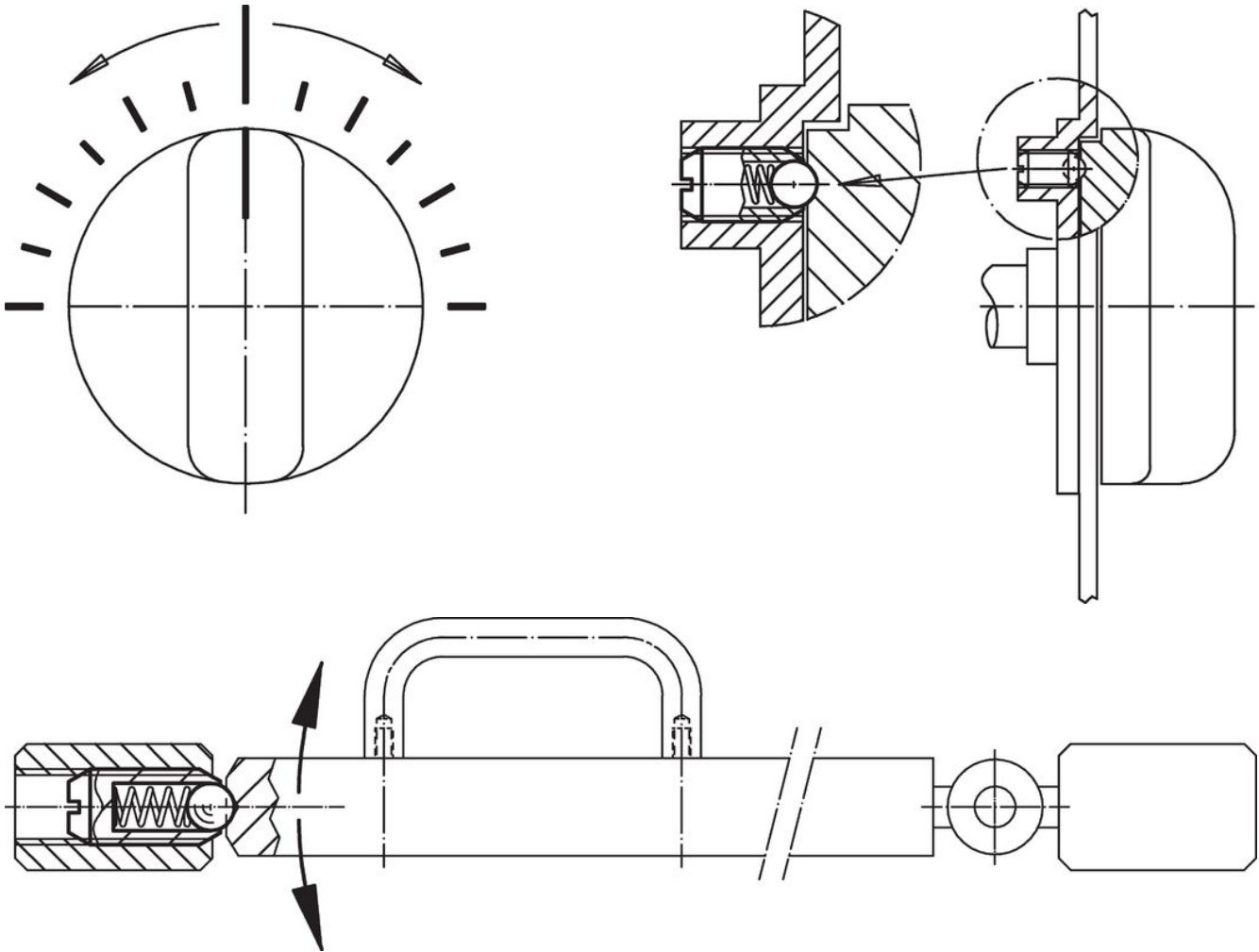
| d <sub>1</sub>   |      | Dimensions |                |      |       | Stroke<br>s<br>[in] | Spring load <sup>1)</sup>   |                             | min. max. |     | [oz]  | Art. No.   |
|--|------|------------|----------------|------|-------|---------------------|-----------------------------|-----------------------------|-----------|-----|-------|------------|
|  |      | Thread     | d <sub>2</sub> | l    | [in]  |                     | F <sub>1</sub><br>~<br>[lb] | F <sub>2</sub><br>~<br>[lb] | [°F]      |     |       |            |
| [in]   |      |            |                |      |       |                     |                             |                             |           |     |       |            |
| <b>free cutting steel, light spring load, With thread lock</b>       |      |            |                |      |       |                     |                             |                             |           |     |       |            |
| #10-32   |      | 0.190      | 2A-UNF         | 3/32 | 33/64 | 0.025               | 0.9                         | 1.5                         | -22       | 194 | 0.049 | 2B050.0210 |
| 1/4-20   | 1/4  | 0.250      | 2A-UNC         | 1/8  | 17/32 | 0.035               | 2.1                         | 4.0                         | -22       | 194 | 0.073 | 2B050.0212 |
| 5/16-18  | 5/16 | 0.313      | 2A-UNC         | 5/32 | 37/64 | 0.040               | 2.0                         | 4.6                         | -22       | 194 | 0.123 | 2B050.0216 |
| 3/8-16   | 3/8  | 0.375      | 2A-UNC         | 3/16 | 5/8   | 0.048               | 2.5                         | 5.0                         | -22       | 194 | 0.194 | 2B050.0218 |
| 1/2-13   | 1/2  | 0.500      | 2A-UNC         | 9/32 | 3/4   | 0.072               | 3.0                         | 6.0                         | -22       | 194 | 0.399 | 2B050.0220 |
| 5/8-11   | 5/8  | 0.625      | 2A-UNC         | 3/8  | 63/64 | 0.096               | 4.5                         | 9.0                         | -22       | 194 | 0.790 | 2B050.0222 |
| <b>free cutting steel, standard spring load, Without thread lock</b> |      |            |                |      |       |                     |                             |                             |           |     |       |            |
| #4-48  |      | 0.112      | 2A-UNF         | 1/16 | 3/16  | 0.020               | 0.1                         | 0.5                         | -22       | 482 | 0.004 | 2B050.0031 |
| #5-40  |      | 0.125      | 2A-UNC         | 1/16 | 1/4   | 0.020               | 0.3                         | 0.8                         | -22       | 482 | 0.008 | 2B050.0032 |
| #6-32  |      | 0.138      | 2A-UNC         | 5/64 | 5/16  | 0.023               | 0.5                         | 1.0                         | -22       | 482 | 0.011 | 2B050.0033 |
| #6-40  |      | 0.138      | 2A-UNF         | 5/64 | 5/16  | 0.023               | 0.5                         | 1.0                         | -22       | 482 | 0.012 | 2B050.0035 |
| #8-32  |      | 0.164      | 2A-UNC         | 3/32 | 11/32 | 0.025               | 0.8                         | 1.3                         | -22       | 482 | 0.018 | 2B050.0036 |
| #8-36  |      | 0.164      | 2A-UNF         | 3/32 | 11/32 | 0.025               | 0.8                         | 1.3                         | -22       | 482 | 0.026 | 2B050.0038 |
| #10-32   |      | 0.190      | 2A-UNF         | 3/32 | 33/64 | 0.025               | 2.0                         | 3.1                         | -22       | 482 | 0.049 | 2B050.0040 |
| 1/4-20   | 1/4  | 0.250      | 2A-UNC         | 1/8  | 17/32 | 0.035               | 3.8                         | 6.8                         | -22       | 482 | 0.065 | 2B050.0042 |
| 5/16-18  | 5/16 | 0.313      | 2A-UNC         | 5/32 | 37/64 | 0.040               | 4.0                         | 8.4                         | -22       | 482 | 0.123 | 2B050.0046 |
| 3/8-16   | 3/8  | 0.375      | 2A-UNC         | 3/16 | 5/8   | 0.048               | 5.0                         | 10.3                        | -22       | 482 | 0.198 | 2B050.0048 |
| 1/2-13   | 1/2  | 0.500      | 2A-UNC         | 9/32 | 3/4   | 0.072               | 6.0                         | 12.0                        | -22       | 482 | 0.389 | 2B050.0050 |
| 5/8-11   | 5/8  | 0.625      | 2A-UNC         | 3/8  | 63/64 | 0.096               | 9.0                         | 18.0                        | -22       | 482 | 0.811 | 2B050.0052 |
| <b>free cutting steel, standard spring load, With thread lock</b>    |      |            |                |      |       |                     |                             |                             |           |     |       |            |
| #4-48  |      | 0.112      | 2A-UNF         | 1/16 | 3/16  | 0.020               | 0.1                         | 0.5                         | -22       | 194 | 0.005 | 2B050.0231 |
| #5-40  |      | 0.125      | 2A-UNC         | 1/16 | 1/4   | 0.020               | 0.3                         | 0.8                         | -22       | 194 | 0.007 | 2B050.0232 |
| #6-32  |      | 0.138      | 2A-UNC         | 5/64 | 5/16  | 0.023               | 0.5                         | 1.0                         | -22       | 194 | 0.011 | 2B050.0233 |
| #6-40  |      | 0.138      | 2A-UNF         | 5/64 | 5/16  | 0.023               | 0.5                         | 1.0                         | -22       | 194 | 0.020 | 2B050.0235 |
| #8-32  |      | 0.164      | 2A-UNC         | 3/32 | 11/32 | 0.025               | 0.8                         | 1.3                         | -22       | 194 | 0.026 | 2B050.0236 |
| #8-36  |      | 0.164      | 2A-UNF         | 3/32 | 11/32 | 0.025               | 0.8                         | 1.3                         | -22       | 194 | 0.027 | 2B050.0238 |
| #10-32   |      | 0.190      | 2A-UNF         | 3/32 | 33/64 | 0.025               | 2.0                         | 3.1                         | -22       | 194 | 0.050 | 2B050.0240 |
| 1/4-20   | 1/4  | 0.250      | 2A-UNC         | 1/8  | 17/32 | 0.035               | 3.8                         | 6.8                         | -22       | 194 | 0.074 | 2B050.0242 |
| 5/16-18  | 5/16 | 0.313      | 2A-UNC         | 5/32 | 37/64 | 0.040               | 4.0                         | 8.4                         | -22       | 194 | 0.115 | 2B050.0246 |
| 3/8-16   | 3/8  | 0.375      | 2A-UNC         | 3/16 | 5/8   | 0.048               | 5.0                         | 10.3                        | -22       | 194 | 0.189 | 2B050.0248 |
| 1/2-13   | 1/2  | 0.500      | 2A-UNC         | 9/32 | 3/4   | 0.072               | 6.0                         | 12.0                        | -22       | 194 | 0.378 | 2B050.0250 |
| 5/8-11   | 5/8  | 0.625      | 2A-UNC         | 3/8  | 63/64 | 0.096               | 9.0                         | 18.0                        | -22       | 194 | 0.797 | 2B050.0252 |
| <b>free cutting steel, heavy spring load, Without thread lock</b>    |      |            |                |      |       |                     |                             |                             |           |     |       |            |
| #10-32   |      | 0.190      | 2A-UNF         | 3/32 | 33/64 | 0.025               | 3.3                         | 4.8                         | -22       | 482 | 0.049 | 2B050.0070 |
| 1/4-20   | 1/4  | 0.250      | 2A-UNC         | 1/8  | 17/32 | 0.035               | 5.6                         | 8.6                         | -22       | 482 | 0.064 | 2B050.0072 |
| 5/16-18  | 5/16 | 0.313      | 2A-UNC         | 5/32 | 37/64 | 0.040               | 6.0                         | 11.1                        | -22       | 482 | 0.113 | 2B050.0076 |
| 3/8-16   | 3/8  | 0.375      | 2A-UNC         | 3/16 | 5/8   | 0.048               | 7.5                         | 15.1                        | -22       | 482 | 0.196 | 2B050.0078 |
| 1/2-13   | 1/2  | 0.500      | 2A-UNC         | 9/32 | 3/4   | 0.072               | 6.0                         | 24.0                        | -22       | 482 | 0.408 | 2B050.0080 |
| 5/8-11   | 5/8  | 0.625      | 2A-UNC         | 3/8  | 63/64 | 0.096               | 7.0                         | 40.0                        | -22       | 482 | 0.825 | 2B050.0082 |
| <b>free cutting steel, heavy spring load, With thread lock</b>       |      |            |                |      |       |                     |                             |                             |           |     |       |            |
| #10-32   |      | 0.190      | 2A-UNF         | 3/32 | 33/64 | 0.025               | 3.3                         | 4.8                         | -22       | 194 | 0.041 | 2B050.0270 |
| 1/4-20   | 1/4  | 0.250      | 2A-UNC         | 1/8  | 17/32 | 0.035               | 5.6                         | 8.6                         | -22       | 194 | 0.065 | 2B050.0272 |
| 5/16-18  | 5/16 | 0.313      | 2A-UNC         | 5/32 | 37/64 | 0.040               | 6.0                         | 11.1                        | -22       | 194 | 0.113 | 2B050.0276 |
| 3/8-16   | 3/8  | 0.375      | 2A-UNC         | 3/16 | 5/8   | 0.048               | 7.5                         | 15.1                        | -22       | 194 | 0.198 | 2B050.0278 |
| 1/2-13   | 1/2  | 0.500      | 2A-UNC         | 9/32 | 3/4   | 0.072               | 6.0                         | 24.0                        | -22       | 194 | 0.398 | 2B050.0280 |
| 5/8-11   | 5/8  | 0.625      | 2A-UNC         | 3/8  | 63/64 | 0.096               | 7.0                         | 40.0                        | -22       | 194 | 0.819 | 2B050.0282 |
| <b>stainless steel, light spring load, Without thread lock</b>       |      |            |                |      |       |                     |                             |                             |           |     |       |            |
| #10-32   |      | 0.190      | 2A-UNF         | 3/32 | 33/64 | 0.025               | 0.9                         | 1.5                         | -22       | 482 | 0.041 | 2B050.0110 |
| 1/4-20   | 1/4  | 0.250      | 2A-UNC         | 1/8  | 17/32 | 0.035               | 2.1                         | 4.0                         | -22       | 482 | 0.052 | 2B050.0112 |
| 5/16-18  | 5/16 | 0.313      | 2A-UNC         | 5/32 | 37/64 | 0.040               | 2.0                         | 4.6                         | -22       | 482 | 0.117 | 2B050.0116 |
| 3/8-16   | 3/8  | 0.375      | 2A-UNC         | 3/16 | 5/8   | 0.048               | 2.5                         | 5.0                         | -22       | 482 | 0.190 | 2B050.0118 |
| 1/2-13   | 1/2  | 0.500      | 2A-UNC         | 9/32 | 3/4   | 0.072               | 3.0                         | 6.0                         | -22       | 482 | 0.397 | 2B050.0120 |
| 5/8-11   | 5/8  | 0.625      | 2A-UNC         | 3/8  | 63/64 | 0.096               | 4.5                         | 9.0                         | -22       | 482 | 0.790 | 2B050.0122 |

1) statistical average value

| d <sub>1</sub>  |      | Dimensions |                |      |       | Stroke<br>s<br>[in] | Spring load <sup>1)</sup>   |                             | min. max. |     | oz    | Art. No.                   |
|---|------|------------|----------------|------|-------|---------------------|-----------------------------|-----------------------------|-----------|-----|-------|----------------------------|
|   |      | Thread     | d <sub>2</sub> | l    | [in]  |                     | F <sub>1</sub><br>~<br>[lb] | F <sub>2</sub><br>~<br>[lb] | [°F]      |     |       |                            |
| [in]  |      |            |                |      |       |                     |                             |                             |           |     |       |                            |
| <b>stainless steel, light spring load, With thread lock</b>       |      |            |                |      |       |                     |                             |                             |           |     |       |                            |
| #10-32  |      | 0.190      | 2A-UNF         | 3/32 | 33/64 | 0.025               | 0.9                         | 1.5                         | -22       | 194 | 0.048 | <a href="#">2B050.0310</a> |
| 1/4-20  | 1/4  | 0.250      | 2A-UNC         | 1/8  | 17/32 | 0.035               | 2.1                         | 4.0                         | -22       | 194 | 0.074 | <a href="#">2B050.0312</a> |
| 5/16-18   | 5/16 | 0.313      | 2A-UNC         | 5/32 | 37/64 | 0.040               | 2.0                         | 4.6                         | -22       | 194 | 0.123 | <a href="#">2B050.0316</a> |
| 3/8-16  | 3/8  | 0.375      | 2A-UNC         | 3/16 | 5/8   | 0.048               | 2.5                         | 5.0                         | -22       | 194 | 0.188 | <a href="#">2B050.0318</a> |
| 1/2-13  | 1/2  | 0.500      | 2A-UNC         | 9/32 | 3/4   | 0.072               | 3.0                         | 6.0                         | -22       | 194 | 0.399 | <a href="#">2B050.0320</a> |
| 5/8-11  | 5/8  | 0.625      | 2A-UNC         | 3/8  | 63/64 | 0.096               | 4.5                         | 9.0                         | -22       | 194 | 0.790 | <a href="#">2B050.0322</a> |
| <b>stainless steel, standard spring load, Without thread lock</b> |      |            |                |      |       |                     |                             |                             |           |     |       |                            |
| #4-48   |      | 0.112      | 2A-UNF         | 1/16 | 3/16  | 0.020               | 0.1                         | 0.5                         | -22       | 482 | 0.004 | <a href="#">2B050.0131</a> |
| #5-40   |      | 0.125      | 2A-UNC         | 1/16 | 1/4   | 0.020               | 0.3                         | 0.8                         | -22       | 482 | 0.007 | <a href="#">2B050.0132</a> |
| #6-32   |      | 0.138      | 2A-UNC         | 5/64 | 5/16  | 0.023               | 0.5                         | 1.0                         | -22       | 482 | 0.011 | <a href="#">2B050.0133</a> |
| #6-40   |      | 0.138      | 2A-UNF         | 5/64 | 5/16  | 0.023               | 0.5                         | 1.0                         | -22       | 482 | 0.012 | <a href="#">2B050.0135</a> |
| #8-32   |      | 0.164      | 2A-UNC         | 3/32 | 11/32 | 0.025               | 0.8                         | 1.3                         | -22       | 482 | 0.018 | <a href="#">2B050.0136</a> |
| #8-36   |      | 0.164      | 2A-UNF         | 3/32 | 11/32 | 0.025               | 0.8                         | 1.3                         | -22       | 482 | 0.019 | <a href="#">2B050.0138</a> |
| #10-32  |      | 0.190      | 2A-UNF         | 3/32 | 33/64 | 0.025               | 2.0                         | 3.1                         | -22       | 482 | 0.041 | <a href="#">2B050.0140</a> |
| 1/4-20  | 1/4  | 0.250      | 2A-UNC         | 1/8  | 17/32 | 0.035               | 3.8                         | 6.8                         | -22       | 482 | 0.065 | <a href="#">2B050.0142</a> |
| 5/16-18   | 5/16 | 0.313      | 2A-UNC         | 5/32 | 37/64 | 0.040               | 4.0                         | 8.4                         | -22       | 482 | 0.123 | <a href="#">2B050.0146</a> |
| 3/8-16  | 3/8  | 0.375      | 2A-UNC         | 3/16 | 5/8   | 0.048               | 5.0                         | 10.3                        | -22       | 482 | 0.198 | <a href="#">2B050.0148</a> |
| 1/2-13  | 1/2  | 0.500      | 2A-UNC         | 9/32 | 3/4   | 0.072               | 6.0                         | 12.0                        | -22       | 482 | 0.383 | <a href="#">2B050.0150</a> |
| 5/8-11  | 5/8  | 0.625      | 2A-UNC         | 3/8  | 63/64 | 0.096               | 9.0                         | 18.0                        | -22       | 482 | 0.813 | <a href="#">2B050.0152</a> |
| <b>stainless steel, standard spring load, With thread lock</b>    |      |            |                |      |       |                     |                             |                             |           |     |       |                            |
| #4-48   |      | 0.112      | 2A-UNF         | 1/16 | 3/16  | 0.020               | 0.1                         | 0.5                         | -22       | 194 | 0.005 | <a href="#">2B050.0331</a> |
| #5-40   |      | 0.125      | 2A-UNC         | 1/16 | 1/4   | 0.020               | 0.3                         | 0.8                         | -22       | 194 | 0.015 | <a href="#">2B050.0332</a> |
| #6-32   |      | 0.138      | 2A-UNC         | 5/64 | 5/16  | 0.023               | 0.5                         | 1.0                         | -22       | 194 | 0.185 | <a href="#">2B050.0333</a> |
| #6-40   |      | 0.138      | 2A-UNF         | 5/64 | 5/16  | 0.023               | 0.5                         | 1.0                         | -22       | 194 | 0.020 | <a href="#">2B050.0335</a> |
| #8-32   |      | 0.164      | 2A-UNC         | 3/32 | 11/32 | 0.025               | 0.8                         | 1.3                         | -22       | 194 | 0.018 | <a href="#">2B050.0336</a> |
| #8-36   |      | 0.164      | 2A-UNF         | 3/32 | 11/32 | 0.025               | 0.8                         | 1.3                         | -22       | 194 | 0.026 | <a href="#">2B050.0338</a> |
| #10-32  |      | 0.190      | 2A-UNF         | 3/32 | 33/64 | 0.025               | 2.0                         | 3.1                         | -22       | 194 | 0.041 | <a href="#">2B050.0340</a> |
| 1/4-20  | 1/4  | 0.250      | 2A-UNC         | 1/8  | 17/32 | 0.035               | 3.8                         | 6.8                         | -22       | 194 | 0.073 | <a href="#">2B050.0342</a> |
| 5/16-18   | 5/16 | 0.313      | 2A-UNC         | 5/32 | 37/64 | 0.040               | 4.0                         | 8.4                         | -22       | 194 | 0.123 | <a href="#">2B050.0346</a> |
| 3/8-16  | 3/8  | 0.375      | 2A-UNC         | 3/16 | 5/8   | 0.048               | 5.0                         | 10.3                        | -22       | 194 | 0.191 | <a href="#">2B050.0348</a> |
| 1/2-13  | 1/2  | 0.500      | 2A-UNC         | 9/32 | 3/4   | 0.072               | 6.0                         | 12.0                        | -22       | 194 | 0.406 | <a href="#">2B050.0350</a> |
| 5/8-11  | 5/8  | 0.625      | 2A-UNC         | 3/8  | 63/64 | 0.096               | 9.0                         | 18.0                        | -22       | 194 | 0.815 | <a href="#">2B050.0352</a> |
| <b>stainless steel, heavy spring load, Without thread lock</b>    |      |            |                |      |       |                     |                             |                             |           |     |       |                            |
| #10-32  |      | 0.190      | 2A-UNF         | 3/32 | 33/64 | 0.025               | 3.3                         | 4.8                         | -22       | 482 | 0.046 | <a href="#">2B050.0170</a> |
| 1/4-20  | 1/4  | 0.250      | 2A-UNC         | 1/8  | 17/32 | 0.035               | 5.6                         | 8.6                         | -22       | 482 | 0.074 | <a href="#">2B050.0172</a> |
| 5/16-18   | 5/16 | 0.313      | 2A-UNC         | 5/32 | 37/64 | 0.040               | 6.0                         | 11.1                        | -22       | 482 | 0.123 | <a href="#">2B050.0176</a> |
| 3/8-16  | 3/8  | 0.375      | 2A-UNC         | 3/16 | 5/8   | 0.048               | 7.5                         | 15.1                        | -22       | 482 | 0.197 | <a href="#">2B050.0178</a> |
| 1/2-13  | 1/2  | 0.500      | 2A-UNC         | 9/32 | 3/4   | 0.072               | 6.0                         | 24.0                        | -22       | 482 | 0.395 | <a href="#">2B050.0180</a> |
| 5/8-11  | 5/8  | 0.625      | 2A-UNC         | 3/8  | 63/64 | 0.096               | 7.0                         | 40.0                        | -22       | 482 | 0.825 | <a href="#">2B050.0182</a> |
| <b>stainless steel, heavy spring load, With thread lock</b>       |      |            |                |      |       |                     |                             |                             |           |     |       |                            |
| #10-32  |      | 0.190      | 2A-UNF         | 3/32 | 33/64 | 0.025               | 3.3                         | 4.8                         | -22       | 194 | 0.049 | <a href="#">2B050.0370</a> |
| 1/4-20  | 1/4  | 0.250      | 2A-UNC         | 1/8  | 17/32 | 0.035               | 5.6                         | 8.6                         | -22       | 194 | 0.071 | <a href="#">2B050.0372</a> |
| 5/16-18   | 5/16 | 0.313      | 2A-UNC         | 5/32 | 37/64 | 0.040               | 6.0                         | 11.1                        | -22       | 194 | 0.115 | <a href="#">2B050.0376</a> |
| 3/8-16  | 3/8  | 0.375      | 2A-UNC         | 3/16 | 5/8   | 0.048               | 7.5                         | 15.1                        | -22       | 194 | 0.198 | <a href="#">2B050.0378</a> |
| 1/2-13  | 1/2  | 0.500      | 2A-UNC         | 9/32 | 3/4   | 0.072               | 6.0                         | 24.0                        | -22       | 194 | 0.409 | <a href="#">2B050.0380</a> |
| 5/8-11  | 5/8  | 0.625      | 2A-UNC         | 3/8  | 63/64 | 0.096               | 7.0                         | 40.0                        | -22       | 194 | 0.825 | <a href="#">2B050.0382</a> |

<sup>1)</sup> statistical average value

Application example



Compliance

For detailed compliance information please select the desired article number.