

## Spring Plungers • with pin and internal hexagon - INCH EH 2B030.



### Product Description

To be used for positioning, indexing, locking, latching as well as for other similar pressure applications.  
Spring plungers can be used for locating or for applying pressure, as a detent or for ejection.

### Material

#### Pin

- Free cutting steel, hardened, blackened
- Stainless Steel 1.4305 (ASTM-A-582), nitrided

#### Body

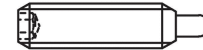
- Free cutting steel, blackened
- Stainless steel 1.4305 (ASTM-A-582)

#### Spring

- Stainless steel

### Characteristic

Standard spring load: no marking  
Heavy spring load: marked with two lines



Standard spring load



Heavy spring load

### More information

### Notes

Customized design on request.  
Spring plungers are specially tested for spring range and forces.

- This product is manufactured in INCH dimensions.

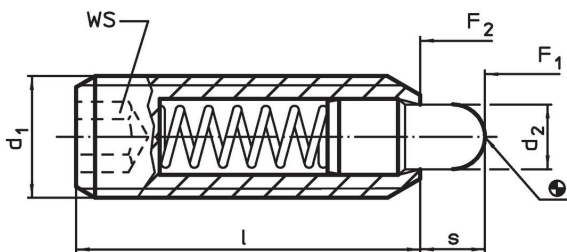
### References

A conversion table can be found in the technical data following these product information pages.  
Thread lock: polyamide spot coating (for details please refer to the technical appendix).

### Further products

- Spring Plungers, with pin and internal hexagon

### Drawing



### Order information

d <sub>1</sub>	Dimensions		d <sub>2</sub>	l	WS	Stroke s	Spring load <sup>1)</sup>		Temperature		Weight [oz]	Art. No.	
	[in]	Thread					[in]	[in]	F <sub>1</sub> ~ [lb]	F <sub>2</sub> ~ [lb]			min. [°F]
<b>free cutting steel, standard spring load, Without thread lock</b>													
#6-32		0.138	2A-UNC	0.046	17/32	1/16	0.063	0.5	1.5	-22	482	0.025	<a href="#">2B030.0033</a>
#8-32		0.164	2A-UNC	0.070	5/8	5/64	0.094	0.8	2.3	-22	482	0.042	<a href="#">2B030.0036</a>
#10-32		0.190	2A-UNF	0.093	3/4	3/32	0.125	1.4	2.7	-22	482	0.057	<a href="#">2B030.0040</a>
1/4-20	1/4	0.250	2A-UNC	0.119	1	1/8	0.188	1.0	4.0	-22	482	0.121	<a href="#">2B030.0042</a>
1/4-28	1/4	0.250	2A-UNF	0.119	1	1/8	0.188	1.0	4.0	-22	482	0.134	<a href="#">2B030.0044</a>
5/16-18	5/16	0.313	2A-UNC	0.135	1	5/32	0.188	1.5	4.5	-22	482	0.205	<a href="#">2B030.0046</a>
3/8-16	3/8	0.375	2A-UNC	0.186	1 1/8	3/16	0.188	2.7	7.2	-22	482	0.331	<a href="#">2B030.0048</a>
1/2-13	1/2	0.500	2A-UNC	0.248	1 1/4	1/4	0.250	2.7	9.3	-22	482	0.649	<a href="#">2B030.0050</a>
5/8-11	5/8	0.625	2A-UNC	0.310	1 1/2	5/16	0.313	3.5	10.6	-22	482	1.242	<a href="#">2B030.0052</a>
3/4-10	3/4	0.750	2A-UNC	0.374	1 3/4	3/8	0.313	5.5	14.5	-22	482	2.172	<a href="#">2B030.0053</a>
1-8	1	0.125	2A-UNC	0.499	2 13/32	3/8	0.500	4.0	31.0	-22	482	5.443	<a href="#">2B030.0054</a>

<sup>1)</sup> statistical average value

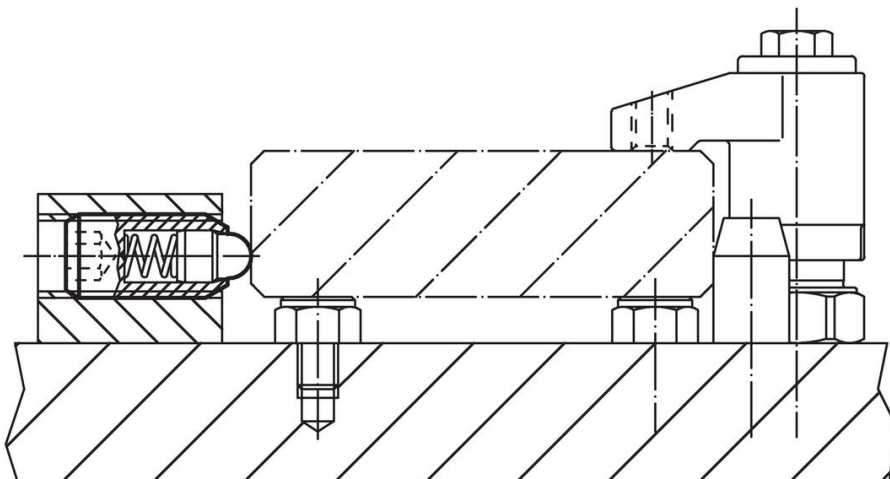
d <sub>1</sub>	Dimensions				WS [in]	Stroke s [in]	Spring load <sup>1)</sup>		min. max.		[oz]	Art. No.	
	[in]	Thread	d <sub>2</sub> [in]	l [in]			F <sub>1</sub>	F <sub>2</sub>	[°F]				
							~ [lb]	~ [lb]					
<b>free cutting steel, standard spring load, With thread lock</b>													
#6-32		0.138	2A-UNC	0.046	17/32	1/16	0.063	0.5	1.5	-22	194	0.028	2B030.0233
#8-32		0.164	2A-UNC	0.070	5/8	5/64	0.094	0.8	2.3	-22	194	0.033	2B030.0236
#10-32		0.190	2A-UNF	0.093	3/4	3/32	0.125	1.4	2.7	-22	194	0.057	2B030.0240
1/4-20	1/4	0.250	2A-UNC	0.119	1	1/8	0.188	1.0	4.0	-22	194	0.120	2B030.0242
1/4-28	1/4	0.250	2A-UNF	0.119	1	1/8	0.188	1.0	4.0	-22	194	0.145	2B030.0244
5/16-18	5/16	0.313	2A-UNC	0.135	1	5/32	0.188	1.5	4.5	-22	194	0.196	2B030.0246
3/8-16	3/8	0.375	2A-UNC	0.186	1 1/8	3/16	0.188	2.7	7.2	-22	194	0.331	2B030.0248
1/2-13	1/2	0.500	2A-UNC	0.248	1 1/4	1/4	0.250	2.7	9.3	-22	194	0.649	2B030.0250
5/8-11	5/8	0.625	2A-UNC	0.310	1 1/2	5/16	0.313	3.5	10.6	-22	194	1.249	2B030.0252
3/4-10	3/4	0.750	2A-UNC	0.374	1 3/4	3/8	0.313	5.5	14.5	-22	194	2.174	2B030.0253
1-8	1	0.125	2A-UNC	0.499	2 13/32	3/8	0.500	4.0	31.0	-22	194	7.668	2B030.0254
<b>free cutting steel, heavy spring load, Without thread lock</b>													
#6-32		0.138	2A-UNC	0.046	17/32	1/16	0.063	1.5	3.4	-22	482	0.019	2B030.0063
#8-32		0.164	2A-UNC	0.070	5/8	5/64	0.094	2.6	6.6	-22	482	0.033	2B030.0066
#10-32		0.190	2A-UNF	0.093	3/4	3/32	0.125	3.2	9.0	-22	482	0.058	2B030.0070
1/4-20	1/4	0.250	2A-UNC	0.119	1	1/8	0.188	3.1	10.1	-22	482	0.122	2B030.0072
1/4-28	1/4	0.250	2A-UNF	0.119	1	1/8	0.188	3.1	10.1	-22	482	0.145	2B030.0074
5/16-18	5/16	0.313	2A-UNC	0.135	1	5/32	0.188	3.0	15.0	-22	482	0.208	2B030.0076
3/8-16	3/8	0.375	2A-UNC	0.186	1 1/8	3/16	0.188	5.5	12.7	-22	482	0.335	2B030.0078
1/2-13	1/2	0.500	2A-UNC	0.248	1 1/4	1/4	0.250	6.6	16.0	-22	482	0.649	2B030.0080
5/8-11	5/8	0.625	2A-UNC	0.310	1 1/2	5/16	0.313	10.5	22.2	-22	482	1.245	2B030.0082
3/4-10	3/4	0.750	2A-UNC	0.374	1 3/4	3/8	0.313	6.7	33.0	-22	482	2.174	2B030.0083
1-8	1	0.125	2A-UNC	0.499	2 13/32	3/8	0.500	16.0	60.0	-22	482	5.538	2B030.0084
<b>free cutting steel, heavy spring load, With thread lock</b>													
#6-32		0.138	2A-UNC	0.046	17/32	1/16	0.063	1.5	3.4	-22	194	0.019	2B030.0263
#8-32		0.164	2A-UNC	0.070	5/8	5/64	0.094	2.6	6.6	-22	194	0.033	2B030.0266
#10-32		0.190	2A-UNF	0.093	3/4	3/32	0.125	3.2	9.0	-22	194	0.067	2B030.0270
1/4-20	1/4	0.250	2A-UNC	0.119	1	1/8	0.188	3.1	10.1	-22	194	0.099	2B030.0272
1/4-28	1/4	0.250	2A-UNF	0.119	1	1/8	0.188	3.1	10.1	-22	194	0.145	2B030.0274
5/16-18	5/16	0.313	2A-UNC	0.135	1	5/32	0.188	3.0	15.0	-22	194	0.199	2B030.0276
3/8-16	3/8	0.375	2A-UNC	0.186	1 1/8	3/16	0.188	5.5	12.7	-22	194	0.328	2B030.0278
1/2-13	1/2	0.500	2A-UNC	0.248	1 1/4	1/4	0.250	6.6	16.0	-22	194	0.650	2B030.0280
5/8-11	5/8	0.625	2A-UNC	0.310	1 1/2	5/16	0.313	10.5	22.2	-22	194	1.245	2B030.0282
3/4-10	3/4	0.750	2A-UNC	0.374	1 3/4	3/8	0.313	6.7	33.0	-22	194	2.176	2B030.0283
1-8	1	0.125	2A-UNC	0.499	2 13/32	3/8	0.500	16.0	60.0	-22	194	5.496	2B030.0284
<b>stainless steel, standard spring load, Without thread lock</b>													
#6-32		0.138	2A-UNC	0.046	17/32	1/16	0.063	0.5	1.5	-22	482	0.018	2B030.0133
#8-32		0.164	2A-UNC	0.070	5/8	5/64	0.094	0.8	2.3	-22	482	0.033	2B030.0136
#10-32		0.190	2A-UNF	0.093	3/4	3/32	0.125	1.4	2.7	-22	482	0.057	2B030.0140
1/4-20	1/4	0.250	2A-UNC	0.119	1	1/8	0.188	1.0	4.0	-22	482	0.120	2B030.0142
1/4-28	1/4	0.250	2A-UNF	0.119	1	1/8	0.188	1.0	4.0	-22	482	0.141	2B030.0144
5/16-18	5/16	0.313	2A-UNC	0.135	1	5/32	0.188	1.5	4.5	-22	482	0.208	2B030.0146
3/8-16	3/8	0.375	2A-UNC	0.186	1 1/8	3/16	0.188	2.7	7.2	-22	482	0.330	2B030.0148
1/2-13	1/2	0.500	2A-UNC	0.248	1 1/4	1/4	0.250	2.7	9.3	-22	482	0.653	2B030.0150
5/8-11	5/8	0.625	2A-UNC	0.310	1 1/2	5/16	0.313	3.5	10.6	-22	482	1.249	2B030.0152
3/4-10	3/4	0.750	2A-UNC	0.374	1 3/4	3/8	0.313	5.5	14.5	-22	482	2.180	2B030.0153
1-8	1	0.125	2A-UNC	0.499	2 13/32	3/8	0.500	4.0	31.0	-22	482	5.475	2B030.0154
<b>stainless steel, standard spring load, With thread lock</b>													
#6-32		0.138	2A-UNC	0.046	17/32	1/16	0.063	0.5	1.5	-22	194	0.019	2B030.0333
#8-32		0.164	2A-UNC	0.070	5/8	5/64	0.094	0.8	2.3	-22	194	0.039	2B030.0336
#10-32		0.190	2A-UNF	0.093	3/4	3/32	0.125	1.4	2.7	-22	194	0.063	2B030.0340
1/4-20	1/4	0.250	2A-UNC	0.119	1	1/8	0.188	1.0	4.0	-22	194	0.121	2B030.0342
1/4-28	1/4	0.250	2A-UNF	0.119	1	1/8	0.188	1.0	4.0	-22	194	0.141	2B030.0344
5/16-18	5/16	0.313	2A-UNC	0.135	1	5/32	0.188	1.5	4.5	-22	194	0.208	2B030.0346
3/8-16	3/8	0.375	2A-UNC	0.186	1 1/8	3/16	0.188	2.7	7.2	-22	194	0.339	2B030.0348

<sup>1)</sup> statistical average value

d <sub>1</sub>		Dimensions				WS	Stroke s	Spring load <sup>1)</sup>		min. max.		oz	Art. No.
		[in]	Thread	d <sub>2</sub>	l			F <sub>1</sub>	F <sub>2</sub>	[°F]			
		[in]			[in]	[in]	[in]	[lb]			[°F]	[oz]	
1/2-13	1/2	0.500	2A-UNC	0.248	1 1/4	1/4	0.250	2.7	9.3	-22	194	0.653	<a href="#">2B030.0350</a>
5/8-11	5/8	0.625	2A-UNC	0.310	1 1/2	5/16	0.313	3.5	10.6	-22	194	1.249	<a href="#">2B030.0352</a>
3/4-10	3/4	0.750	2A-UNC	0.374	1 3/4	3/8	0.313	5.5	14.5	-22	194	2.187	<a href="#">2B030.0353</a>
1-8	1	0.125	2A-UNC	0.499	2 13/32	3/8	0.500	4.0	31.0	-22	194	5.464	<a href="#">2B030.0354</a>
<b>stainless steel, heavy spring load, Without thread lock</b>													
#6-32		0.138	2A-UNC	0.046	17/32	1/16	0.063	1.5	3.4	-22	482	0.019	<a href="#">2B030.0163</a>
#8-32		0.164	2A-UNC	0.070	5/8	5/64	0.094	2.6	6.6	-22	482	0.034	<a href="#">2B030.0166</a>
#10-32		0.190	2A-UNF	0.093	3/4	3/32	0.125	3.2	9.0	-22	482	0.063	<a href="#">2B030.0170</a>
1/4-20	1/4	0.250	2A-UNC	0.119	1	1/8	0.188	3.1	10.1	-22	482	0.122	<a href="#">2B030.0172</a>
1/4-28	1/4	0.250	2A-UNF	0.119	1	1/8	0.188	3.1	10.1	-22	482	0.145	<a href="#">2B030.0174</a>
5/16-18	5/16	0.313	2A-UNC	0.135	1	5/32	0.188	3.0	15.0	-22	482	0.168	<a href="#">2B030.0176</a>
3/8-16	3/8	0.375	2A-UNC	0.186	1 1/8	3/16	0.188	5.5	12.7	-22	482	0.339	<a href="#">2B030.0178</a>
1/2-13	1/2	0.500	2A-UNC	0.248	1 1/4	1/4	0.250	6.6	16.0	-22	482	0.653	<a href="#">2B030.0180</a>
5/8-11	5/8	0.625	2A-UNC	0.310	1 1/2	5/16	0.313	10.5	22.2	-22	482	1.252	<a href="#">2B030.0182</a>
3/4-10	3/4	0.750	2A-UNC	0.374	1 3/4	3/8	0.313	6.7	33.0	-22	482	2.188	<a href="#">2B030.0183</a>
1-8	1	0.125	2A-UNC	0.499	2 13/32	3/8	0.500	16.0	60.0	-22	482	5.524	<a href="#">2B030.0184</a>
<b>stainless steel, heavy spring load, With thread lock</b>													
#6-32		0.138	2A-UNC	0.046	17/32	1/16	0.063	1.5	3.4	-22	194	0.019	<a href="#">2B030.0363</a>
#8-32		0.164	2A-UNC	0.070	5/8	5/64	0.094	2.6	6.6	-22	194	0.034	<a href="#">2B030.0366</a>
#10-32		0.190	2A-UNF	0.093	3/4	3/32	0.125	3.2	9.0	-22	194	0.057	<a href="#">2B030.0370</a>
1/4-20	1/4	0.250	2A-UNC	0.119	1	1/8	0.188	3.1	10.1	-22	194	0.131	<a href="#">2B030.0372</a>
1/4-28	1/4	0.250	2A-UNF	0.119	1	1/8	0.188	3.1	10.1	-22	194	0.145	<a href="#">2B030.0374</a>
5/16-18	5/16	0.313	2A-UNC	0.135	1	5/32	0.188	3.0	15.0	-22	194	0.212	<a href="#">2B030.0376</a>
3/8-16	3/8	0.375	2A-UNC	0.186	1 1/8	3/16	0.188	5.5	12.7	-22	194	0.339	<a href="#">2B030.0378</a>
1/2-13	1/2	0.500	2A-UNC	0.248	1 1/4	1/4	0.250	6.6	16.0	-22	194	0.638	<a href="#">2B030.0380</a>
5/8-11	5/8	0.625	2A-UNC	0.310	1 1/2	5/16	0.313	10.5	22.2	-22	194	1.256	<a href="#">2B030.0382</a>
3/4-10	3/4	0.750	2A-UNC	0.374	1 3/4	3/8	0.313	6.7	33.0	-22	194	2.191	<a href="#">2B030.0383</a>
1-8	1	0.125	2A-UNC	0.499	2 13/32	3/8	0.500	16.0	60.0	-22	194	5.524	<a href="#">2B030.0384</a>

<sup>1)</sup> statistical average value

### Application example



### Compliance

For detailed compliance information please select the desired article number.