

Spacer Plates • for hinges

EH 25160.



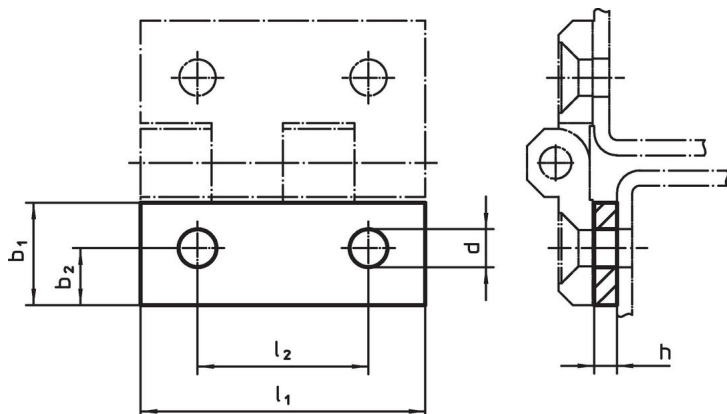
Product Description

Spacer plates are used for height compensation when installing hinges.

Material

- Stainless steel 1.4301, matt, vibratory ground

Drawing



Order information

l ₁	b ₁	Dimensions				l ₂	[g]	Art. No.
		h	b ₂	d	[mm]			
30	10.8	1.0	6.0	4	18	2.2	25160.0605	
30	10.8	1.5	6.0	4	18	3.3	25160.0610	
30	10.8	3.0	6.0	4	18	6.5	25160.0615	
30	10.8	5.0	6.0	4	18	11.0	25160.0620	
40	14.5	1.0	7.5	5	25	4.3	25160.0625	
40	14.5	1.5	7.5	5	25	6.4	25160.0630	
40	14.5	3.0	7.5	5	25	12.0	25160.0635	
40	14.5	5.0	7.5	5	25	20.0	25160.0640	
50	18.0	1.0	10.0	6	30	6.6	25160.0645	
50	18.0	1.5	10.0	6	30	9.8	25160.0650	
50	18.0	3.0	10.0	6	30	19.0	25160.0655	
50	18.0	5.0	10.0	6	30	31.0	25160.0660	
60	21.5	1.0	12.5	8	36	9.2	25160.0665	
60	21.5	1.5	12.5	8	36	14.0	25160.0670	
60	21.5	3.0	12.5	8	36	27.0	25160.0675	
60	21.5	5.0	12.5	8	36	44.0	25160.0680	

Compliance

RoHS compliant

Compliant according to Directive 2011/65/EU and Directive 2015/863.

Does not contain SVHC substances

No SVHC substances with more than 0.1% w/w contained - SVHC list [REACH] as of 27.06.2024.

Does not contain Proposition 65 substances

No Proposition 65 substances included.

<https://www.P65Warnings.ca.gov/>

Free from Conflict Minerals

This product does not contain any substances designated as "conflict minerals" such as tantalum, tin, gold or tungsten from the Democratic Republic of Congo or adjacent countries.