

Rubber Endstop Buffers · truncated cone form

EH 25150.



Product Description

To be used as an elastic end-stop, bearing foot etc.
The hardness is $55 \pm 5^\circ$ shore A. Further shore hardnesses ($40 \pm 5^\circ$ shore A and $70 \pm 5^\circ$ shore A) on request.

Material

Support washer

- Steel, zinc-plated by galvanization, passivated
- Stainless steel 1.4301

Threaded bushing

- Steel, zinc-plated by galvanization, passivated
- Stainless steel 1.4301

Body

- NBR

Screw

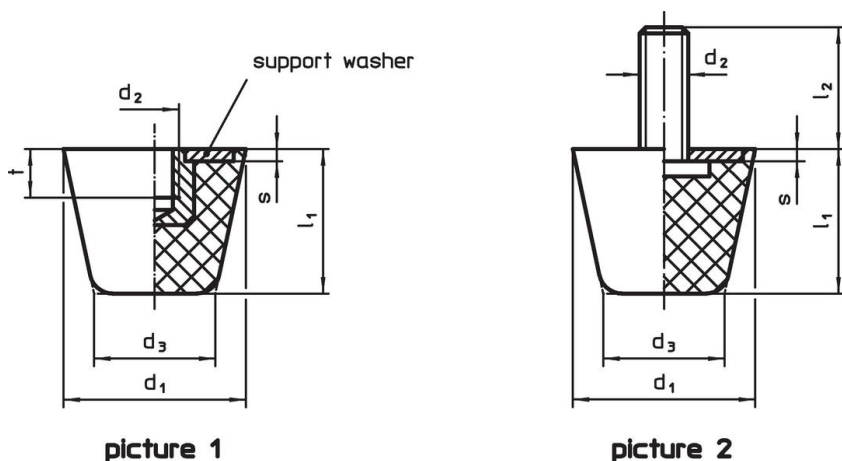
- Steel, zinc-plated by galvanization, passivated
- Stainless steel 1.4301

More information

Further products

- Support Legs, impact cushioning
- Silicone Endstop Buffers, truncated cone form

Drawing





picture 1

picture 2

Order information

Dimensions							Spring rate R ~ [N/mm]	Load capacity max. [N]	Spring range ~ [mm]	Temperature		Weight [g]	Art. No.
d ₁	d ₂	l ₂	d ₃	l ₁	s	t				min.	max.		
[mm]													
with female thread – picture 1, Steel													
19	M 5	–	12.0	16.0	2	5	28	110	4.00	-30	80	7.0	25150.0719
25	M 6	–	16.5	20.5	2	6	82	430	5.25	-30	80	14.0	25150.0725
32	M 8	–	21.0	26.0	2	8	140	910	6.50	-30	80	27.0	25150.0732
38	M 8	–	24.5	32.0	2	8	125	1200	9.50	-30	80	43.0	25150.0738
50	M10	–	32.0	43.0	2	10	155	1620	10.50	-30	80	93.0	25150.0750
with female thread – picture 1, Stainless steel													
19	M 5	–	12.0	16.0	2	5	28	110	4.00	-30	80	7.0	25150.0919
25	M 6	–	16.5	20.5	2	6	82	430	5.25	-30	80	14.0	25150.0925
32	M 8	–	21.0	26.0	2	8	140	910	6.50	-30	80	27.0	25150.0932
38	M 8	–	24.5	32.0	2	8	125	1200	9.50	-30	80	43.0	25150.0938
50	M10	–	32.0	43.0	2	10	155	1620	10.50	-30	80	93.0	25150.0950

d ₁	d ₂	Dimensions					t ~	Spring rate R ~ [N/mm]	Load capacity max. [N]	Spring range ~ [mm]	 min. max. [°C]		 [g]	Art. No.
		l ₂	d ₃	l ₁	s	[mm]								
with screw – picture 2, Steel														
19	M 5	6	12.0	16.0	2	–	28	110	4.00	-30	80	8.0	25150.0819	
19	M 5	10	12.0	16.0	2	–	28	110	4.00	-30	80	6.1	25150.0820	
19	M 5	20	12.0	16.0	2	–	28	110	4.00	-30	80	8.7	25150.0821	
25	M 6	8	16.5	20.5	2	–	82	430	5.25	-30	80	16.0	25150.0825	
25	M 6	12	16.5	20.5	2	–	82	430	5.25	-30	80	17.0	25150.0826	
25	M 6	25	16.5	20.5	2	–	82	430	5.25	-30	80	19.0	25150.0827	
32	M 8	10	21.0	26.0	2	–	140	910	6.50	-30	80	30.0	25150.0832	
32	M 8	16	21.0	26.0	2	–	140	910	6.50	-30	80	32.0	25150.0833	
32	M 8	30	21.0	26.0	2	–	140	910	6.50	-30	80	36.0	25150.0834	
38	M 8	10	24.5	32.0	2	–	125	1200	9.50	-30	80	47.0	25150.0838	
38	M 8	16	24.5	32.0	2	–	125	1200	9.50	-30	80	48.0	25150.0839	
38	M 8	30	24.5	32.0	2	–	125	1200	9.50	-30	80	52.0	25150.0840	
50	M10	12	32.0	43.0	2	–	155	1620	10.50	-30	80	101.0	25150.0850	
50	M10	20	32.0	43.0	2	–	155	1620	10.50	-30	80	104.0	25150.0851	
50	M10	40	32.0	43.0	2	–	155	1620	10.50	-30	80	112.0	25150.0852	
with screw – picture 2, Stainless steel														
19	M 5	6	12.0	16.0	2	–	28	110	4.00	-30	80	8.0	25150.1019	
19	M 5	10	12.0	16.0	2	–	28	110	4.00	-30	80	6.1	25150.1020	
19	M 5	20	12.0	16.0	2	–	28	110	4.00	-30	80	8.7	25150.1021	
25	M 6	8	16.5	20.5	2	–	82	430	5.25	-30	80	16.0	25150.1025	
25	M 6	12	16.5	20.5	2	–	82	430	5.25	-30	80	17.0	25150.1026	
25	M 6	25	16.5	20.5	2	–	82	430	5.25	-30	80	19.0	25150.1027	
32	M 8	10	21.0	26.0	2	–	140	910	6.50	-30	80	30.0	25150.1032	
32	M 8	16	21.0	26.0	2	–	140	910	6.50	-30	80	32.0	25150.1033	
32	M 8	30	21.0	26.0	2	–	140	910	6.50	-30	80	36.0	25150.1034	
38	M 8	10	24.5	32.0	2	–	125	1200	9.50	-30	80	47.0	25150.1038	
38	M 8	16	24.5	32.0	2	–	125	1200	9.50	-30	80	48.0	25150.1039	
38	M 8	30	24.5	32.0	2	–	125	1200	9.50	-30	80	52.0	25150.1040	
50	M10	12	32.0	43.0	2	–	155	1620	10.50	-30	80	101.0	25150.1050	
50	M10	20	32.0	43.0	2	–	155	1620	10.50	-30	80	104.0	25150.1051	
50	M10	40	32.0	43.0	2	–	155	1620	10.50	-30	80	112.0	25150.1052	

Compliance

For detailed compliance information please select the desired article number.