

## Height-Adjusting Elements • high

### EH 25120.



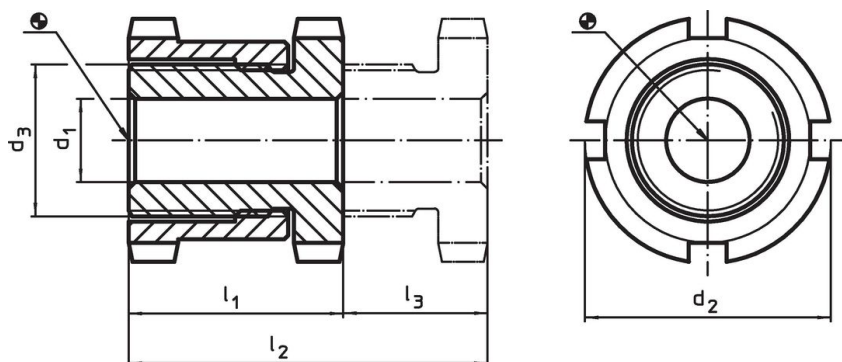
#### Product Description

For levelling of machines and installations.  
For vertical adjustment, the self-locking height-adjusting elements are fitted with a fine-pitch thread. All elements have a throughgoing bore for fastening purposes. A turn-out lock serves as height limit for the maximum adjustment height.

#### Material

- Heat-treated steel, zinc-plated by galvanization, chromalized

#### Drawing





#### Order information

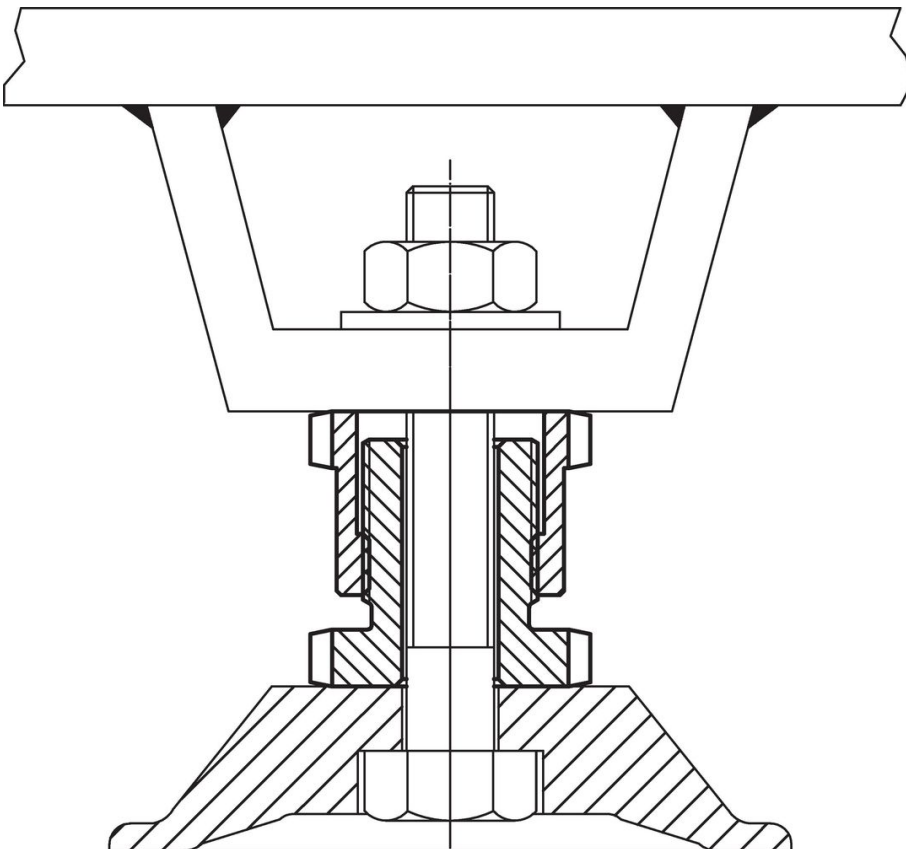
d <sub>1</sub>	d <sub>2</sub>	Dimensions		l <sub>1</sub> ~	l <sub>2</sub> ~	Stroke l <sub>3</sub> ~	For screw [mm]	Load capacity for static load max. [kN]	Load capacity <sup>1)</sup> max. [kN]	🔩 [g]	Art. No.
		d <sub>3</sub>	[mm]								
6.6	25	M15 x 1		28	43	15	M 6	40	30.7	68	<a href="#">25120.0106</a>
6.6	32	M20 x 1		35	55	20	M 6	65	55.7	161	<a href="#">25120.0112</a>
9.0	32	M20 x 1		35	55	20	M 8	65	48.0	152	<a href="#">25120.0114</a>
11.0	32	M20 x 1		35	55	20	M10	65	37.9	142	<a href="#">25120.0116</a>
11.0	45	M30 x 1,5		42	67	25	M10	120	92.9	371	<a href="#">25120.0122</a>
13.5	45	M30 x 1,5		42	67	25	M12	120	80.4	356	<a href="#">25120.0124</a>
17.5	45	M30 x 1,5		42	67	25	M16	120	45.5	326	<a href="#">25120.0126</a>
17.5	58	M40 x 1,5		54	86	32	M16	210	136.0	835	<a href="#">25120.0132</a>
22.0	58	M40 x 1,5		54	86	32	M20	210	90.0	771	<a href="#">25120.0134</a>
26.0	58	M40 x 1,5		54	86	32	M24	210	37.0	705	<a href="#">25120.0136</a>
22.0	70	M50 x 1,5		66	106	40	M20	330	210.0	1421	<a href="#">25120.0142</a>
26.0	70	M50 x 1,5		66	106	40	M24	330	157.0	1329	<a href="#">25120.0144</a>
33.0	70	M50 x 1,5		66	106	40	M30	330	53.0	1167	<a href="#">25120.0146</a>

<sup>1)</sup> Load capacity after deduction of the maximum preload force for screws 8.8.

Accessories

	For height adjusting element size $d_2$ [mm]	Dimensions of sickle spanner DIN 1810, form A [mm]	 [g]	Art. No.
<b>sickle spanner for vertical adjustment</b>				
	25	25 – 28	45	<a href="#">25120.0981</a>
	32	30 – 32	46	<a href="#">25120.0982</a>
	45	45 – 50	156	<a href="#">25120.0983</a>
	58	58 – 62	250	<a href="#">25120.0984</a>
	70	68 – 75	253	<a href="#">25120.0985</a>

Application example



Compliance

For detailed compliance information please select the desired article number.