

Height-Adjusting Elements

EH 25120.



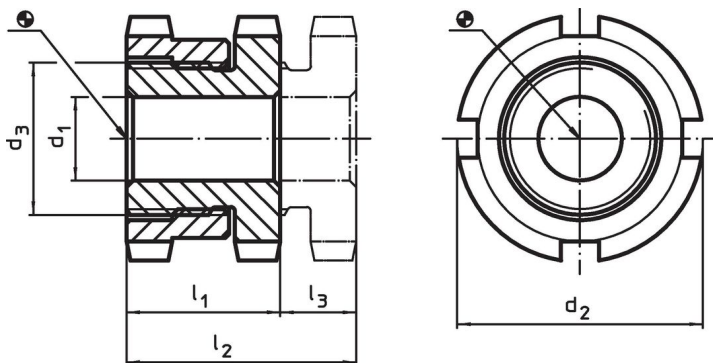
Product Description

For levelling of machines and installations.
For vertical adjustment, the self-locking height-adjusting elements are fitted with a fine-pitch thread. All elements have a throughgoing bore for fastening purposes. A turn-out lock serves as height limit for the maximum adjustment height.


Material

- Heat-treated steel, zinc-plated by galvanization, chromalized



Drawing



Order information

d ₁	d ₂	Dimensions d ₃	l ₁ ~	l ₂ ~	Stroke l ₃ ~ [mm]	For screw [mm]	Load capacity for static load max. [kN]	Load capacity max. [kN]	 [g]	Art. No.
6.6	25	M15 x 1	15	19	4	M 6	40	30.7	42	25120.0006
6.6	32	M20 x 1	18	23	5	M 6	65	55.7	95	25120.0012
9.0	32	M20 x 1	18	23	5	M 8	65	48.0	86	25120.0014
11.0	32	M20 x 1	18	23	5	M10	65	37.9	79	25120.0016
11.0	45	M30 x 1,5	22	29	7	M10	120	92.9	210	25120.0022
13.5	45	M30 x 1,5	22	29	7	M12	120	80.4	202	25120.0024
17.5	45	M30 x 1,5	22	29	7	M16	120	45.5	219	25120.0026
17.5	58	M40 x 1,5	28	37	9	M16	210	136.0	450	25120.0032
22.0	58	M40 x 1,5	28	37	9	M20	210	90.0	392	25120.0034
26.0	58	M40 x 1,5	28	37	9	M24	210	37.0	364	25120.0036
22.0	70	M50 x 1,5	33	43	10	M20	330	210.0	773	25120.0042
26.0	70	M50 x 1,5	33	43	10	M24	330	157.0	748	25120.0044
33.0	70	M50 x 1,5	33	43	10	M30	330	53.0	640	25120.0046

Accessories

	For height adjusting element size d ₂ [mm]	Dimensions of sickle spanner DIN 1810, form A [mm]	 [g]	Art. No.
sickle spanner for vertical adjustment				
	25	25 – 28	45	25120.0981
	32	30 – 32	46	25120.0982
	45	45 – 50	156	25120.0983
	58	58 – 62	250	25120.0984
	70	68 – 75	253	25120.0985

Application example



Compliance

For detailed compliance information please select the desired article number.