

Quick Plug Couplings · with radial offset compensation

EH 25100.



Product Description

Quick plug coupling with radial offset compensation for multiple applications, e.g. as a link between a piston rod and a linear movement unit.

Material

Claw

- Heat-treated steel, tempered, phosphated

Coupling part

- Heat-treated steel, tempered, phosphated

Lock nut

- Steel, black (ISO 4035/8675)

Assembly

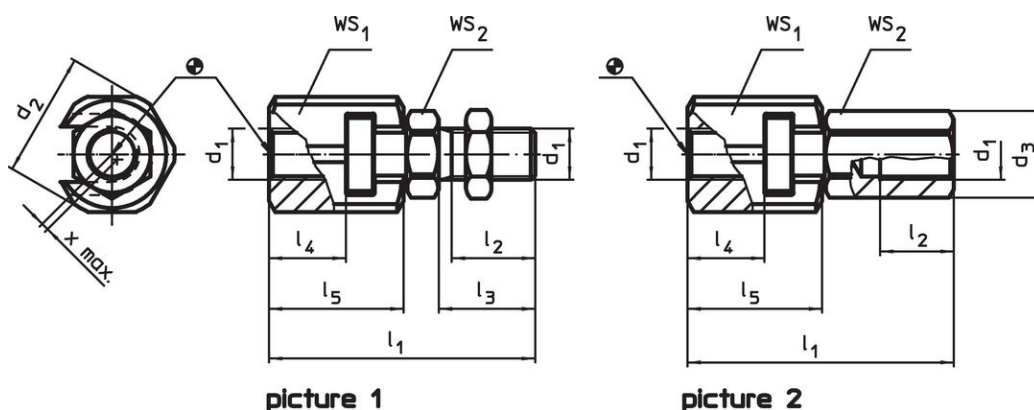
Assembly and disassembly of this simple, solid and two-part coupling is by means of a T-slot; a manual re-adjustment is not necessary. The quick plug coupling can be linked to all commonly used pneumatic and hydraulic lifting cylinders via the connecting thread.

More information

Notes


The quick plug coupling does not transmit any torque.

Drawing

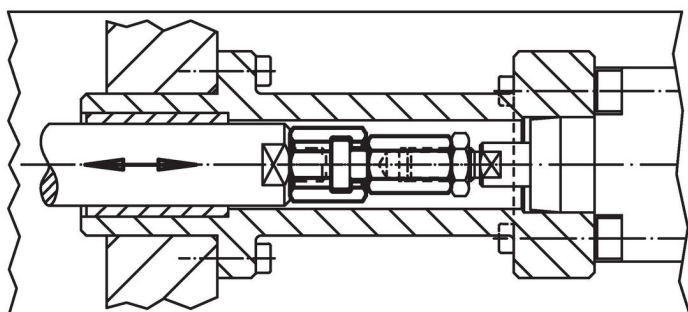
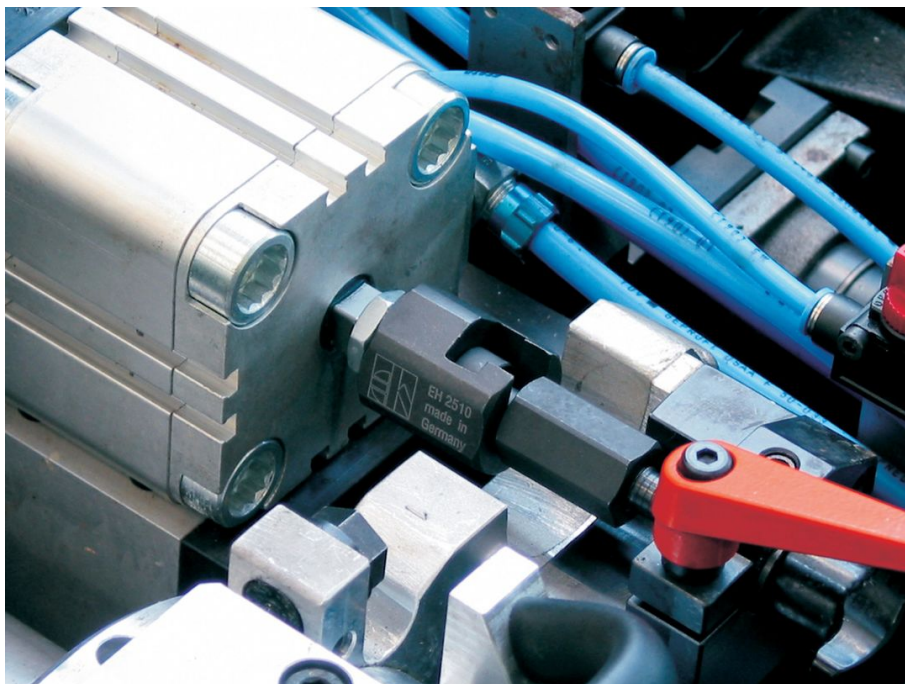


Order information

d ₁	d ₂	d ₃	Dimensions					WS		Radial offset compensation x max. [mm]	Maximum tensile and compressive load max. [kN]	[g]	Art. No.
			l ₁ ~ [mm]	l ₂ min.	l ₃	l ₄ min.	l ₅	WS ₁	WS ₂				
with coupling screw – picture 1													
M 6	21.0	–	37.5	11.0	14	9.0	18.0	19	10	0.6	2.5	44	25100.0006
M 8	26.0	–	45.0	13.5	17	11.5	22.5	24	13	0.7	4.5	86	25100.0008
M10	30.0	–	56.2	16.0	20	16.0	29.0	27	17	0.7	6.5	148	25100.0010
M12	32.5	–	66.7	21.0	25	17.0	34.0	30	19	0.8	10.0	209	25100.0012
M16	39.0	–	83.0	25.0	30	23.0	42.0	36	24	1.0	18.0	382	25100.0016
M20	44.0	–	93.5	29.0	35	23.5	45.5	41	30	1.0	30.0	572	25100.0020
M10 x 1,25	30.0	–	56.2	16.0	20	16.0	29.0	27	17	0.7	6.5	148	25100.0030
M12 x 1,25	32.5	–	66.7	21.0	25	17.0	34.0	30	19	0.8	10.0	209	25100.0032
M16 x 1,5	39.0	–	83.0	25.0	30	23.0	42.0	36	24	1.0	18.0	381	25100.0036
M20 x 1,5	44.0	–	93.5	29.0	35	23.5	45.5	41	30	1.0	30.0	571	25100.0040
with coupling nut – picture 2													
M 6	21.0	11.0	37.5	11.0	–	9.0	18.0	19	10	0.6	2.5	46	25100.0056
M 8	26.0	14.4	45.0	13.5	–	11.5	22.5	24	13	0.7	4.5	91	25100.0058
M10	30.0	19.0	56.2	15.0	–	16.0	29.0	27	17	0.7	6.5	159	25100.0060
M12	32.5	21.2	66.7	17.5	–	17.0	34.0	30	19	0.8	10.0	224	25100.0062
M16	39.0	27.0	83.0	22.0	–	23.0	42.0	36	24	1.0	18.0	403	25100.0066
M20	44.0	34.0	93.5	25.0	–	23.5	45.5	41	30	1.0	30.0	606	25100.0070

d ₁	d ₂	d ₃	Dimensions					WS		Radial offset compensation x max. [mm]	Maximum tensile and compressive load max. [kN]	 [g]	Art. No.
			l ₁ ~ [mm]	l ₂ min. [mm]	l ₃	l ₄ min. [mm]	l ₅	WS ₁	WS ₂				
M10 x 1,25	30.0	19.0	56.2	15.0	–	16.0	29.0	27	17	0.7	6.5	159	25100.0080
M12 x 1,25	32.5	21.2	66.7	17.5	–	17.0	34.0	30	19	0.8	10.0	223	25100.0082
M16 x 1,5	39.0	27.0	83.0	22.0	–	23.0	42.0	36	24	1.0	18.0	403	25100.0086
M20 x 1,5	44.0	34.0	93.5	25.0	–	23.5	45.5	41	30	1.0	30.0	596	25100.0090

Application example



Compliance

RoHS compliant

Compliant according to Directive 2011/65/EU and Directive 2015/863.

Does not contain SVHC substances

No SVHC substances with more than 0.1% w/w contained - SVHC list [REACH] as of 27.06.2024.

Does not contain Proposition 65 substances

No Proposition 65 substances included.

<https://www.P65Warnings.ca.gov/>

Free from Conflict Minerals

This product does not contain any substances designated as "conflict minerals" such as tantalum, tin, gold or tungsten from the Democratic Republic of Congo or adjacent countries.