

## Tapered Shaft Hubs · without lock nut, stainless steel

EH 25050.



### Product Description

By using tapered shaft hubs, all shaft-hub joints of machine elements such as sprocket wheels, gear wheels, belt pulleys, cams, levers etc. can be easily and efficiently established.

It is a self-centering and non-floating tapered shaft hub in corrosion-protected design with a hexagon nut.

The rotational accuracy of the tapered shaft hubs is 0,03 mm.

### Material

#### External part

- Stainless steel, nickel-plated

#### Inner part

- Stainless steel, nickel-plated

#### Nut

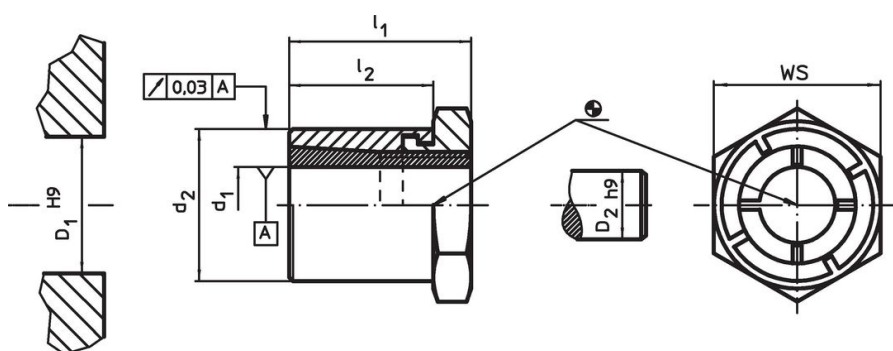
- Stainless steel, nickel-plated, hardened

### More information

#### References

Comply with mounting instructions, mounting examples, and technical data.

### Drawing



### Order information

Dimensions				WS	Tightening torque of the nut $T_A$ max.	Transferable torque $M$ max.	Transferable axial load $F_a$ max.	Surface pressure of shaft $p_w$ max.	Surface pressure of hub $p_N$ max.	Hub bore $D_1$ H9	Shaft diameter $D_2$ h9	[g]	Art. No.
$d_1$	$d_2$	$l_1$	$l_2$										
[mm]				[mm]	[Nm]	[Nm]	[kN]	[N/mm <sup>2</sup> ]	[N/mm <sup>2</sup> ]	[mm]	[mm]	[g]	
6	14	19	15	14	7	8.5	2.8	154	67	14	6	16	25050.0206
8	16	22	17	16	12	16.4	4.1	125	64	16	8	23	25050.0208
10	20	24	19	22	24	34.0	6.8	155	81	20	10	44	25050.0210
12	22	24	19	22	31	45.7	7.6	144	82	22	12	47	25050.0212
16	26	28	22	27	46	74.2	9.3	109	69	26	16	71	25050.0216
20	35	36	27	36	113	173.6	17.4	141	88	35	20	180	25050.0220
25	42	41	30	46	175	277.9	22.3	121	77	42	25	307	25050.0225
30	47	44	33	50	249	423.5	28.3	113	77	47	30	370	25050.0230

### Accessories

	WS	[g]	Art. No.
	[mm]		
<b>special fork wrench</b>			
	14	45	25050.0814
	16	72	25050.0816
	22	195	25050.0822
	27	195	25050.0827
	36	428	25050.0836
	46	610	25050.0846
	50	870	25050.0850

## Compliance

For detailed compliance information please select the desired article number.