

## Tapered Shaft Hubs · with lock nut

EH 25050.



### Product Description

It is a self-centering and non-floating tapered shaft hub in corrosion-protected design with a hexagon nut and a lock nut.

The rotational accuracy of the tapered shaft hubs is 0,03 mm.

By using tapered shaft hubs, all shaft-hub joints of machine elements such as sprocket wheels, gear wheels, belt pulleys, cams, levers etc. can be easily and efficiently established.

### Material

#### External part

- Steel, zinc-plated by galvanization

#### Inner part

- Steel, nickel-plated

#### Nut

- Steel, nickel-plated

### Assembly

The lock nut at the outer part facilitates locking of the shaft-hub joint if freely rotating shafts are involved. For mounting, a crescent wrench (thickness max.  $l_2-l_3$ ) is used.

### More information

### References

Comply with mounting instructions, mounting examples, and technical data.



### Drawing



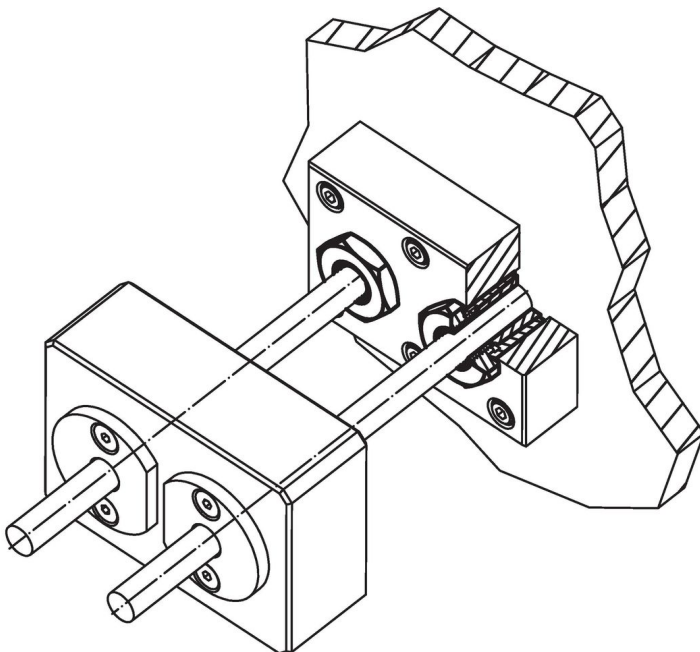
### Order information

Dimensions					WS	Tightening torque of the nut $T_A$ max.	Transferable torque M max.	Transferable axial load $F_a$ max.	Surface pressure of shaft $p_w$ max.	Surface pressure of hub $p_N$ max.	Hub bore $D_1$ H9	Shaft diameter $D_2$ h9	[g]	Art. No.
$d_1$	$d_2$	$l_1$	$l_2$	$l_3$										
5	12	19	15	9	14	9.9	10.1	4.0	264	119	12	5	16	25050.0105
6	12	19	15	9	14	9.9	12.1	4.0	220	119	12	6	15	25050.0106
8	14	22	17	11	16	16.9	23.4	5.8	179	121	14	8	21	25050.0108
9	18	24	19	12	22	34.9	43.7	9.7	245	127	18	9	47	25050.0109
10	18	24	19	12	22	34.9	48.6	9.7	221	127	18	10	44	25050.0110
11	20	24	19	12	22	43.8	59.9	10.9	225	128	20	11	47	25050.0111
12	20	24	19	12	22	43.8	65.3	10.9	206	128	20	12	43	25050.0112
14	24	28	22	15	27	65.0	93.0	13.3	178	107	24	14	77	25050.0114
15	24	28	22	15	27	65.0	99.0	13.3	166	107	24	15	72	25050.0115
16	24	28	22	15	27	65.0	106.0	13.3	156	107	24	16	68	25050.0116
18	30	36	27	17	36	161.0	223.0	24.8	224	145	30	18	177	25050.0118
19	30	36	27	17	36	161.0	235.0	24.8	212	145	30	19	169	25050.0119
20	30	36	27	17	36	161.0	248.0	24.8	201	145	30	20	161	25050.0120
22	38	41	30	20	46	250.0	349.0	31.8	197	122	38	22	339	25050.0122
24	38	41	30	20	46	250.0	381.0	31.8	180	122	38	24	317	25050.0124
25	38	41	30	20	46	250.0	397.0	31.8	173	122	38	25	304	25050.0125
28	42	44	33	23	50	355.0	565.0	40.4	174	123	42	28	370	25050.0128
30	42	44	33	23	50	355.0	605.0	40.4	162	123	42	30	342	25050.0130
32	50	51	38	28	55	490.0	764.0	47.8	166	112	50	32	555	25050.0132
35	50	51	38	28	55	490.0	836.0	47.8	151	112	50	35	494	25050.0135

Accessories

	WS [mm]	 [g]	Art. No.
<b>special fork wrench</b>			
	14	45	<a href="#">25050.0814</a>
	16	72	<a href="#">25050.0816</a>
	22	195	<a href="#">25050.0822</a>
	27	195	<a href="#">25050.0827</a>
	36	428	<a href="#">25050.0836</a>
	46	610	<a href="#">25050.0846</a>
	50	870	<a href="#">25050.0850</a>
	55	1125	<a href="#">25050.0855</a>

Application example



## Compliance

For detailed compliance information please select the desired article number.