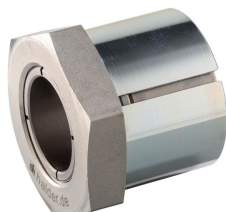


## Tapered Shaft Hubs · without lock nut

EH 25050.



### Product Description

By using tapered shaft hubs, all shaft-hub joints of machine elements such as sprocket wheels, gear wheels, belt pulleys, cams, levers etc. can be easily and efficiently established.

It is a self-centering and non-floating tapered shaft hub in corrosion-protected design with a hexagon nut.

The rotational accuracy of the tapered shaft hubs is 0,03 mm.

### Material

#### External part

- Steel, zinc-plated by galvanization

#### Inner part

- Steel, nickel-plated

#### Nut

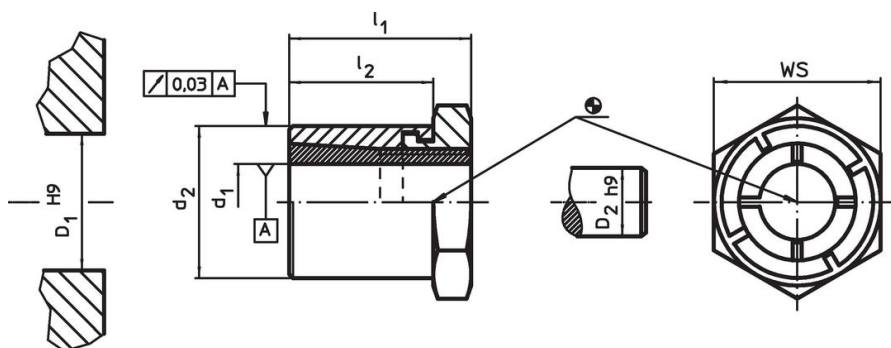
- Steel, nickel-plated

### More information

#### References

Comply with mounting instructions, mounting examples, and technical data.



### Drawing



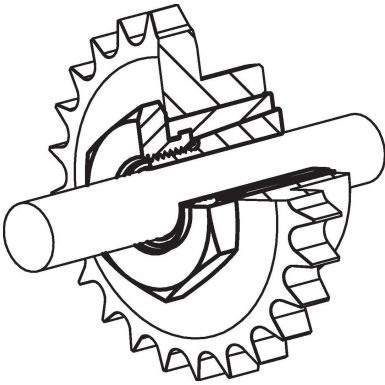
### Order information

Dimensions				WS	Tightening torque of the nut $T_A$ max.	Transferable torque $M$ max.	Transferable axial load $F_a$ max.	Surface pressure of shaft $p_w$ max.	Surface pressure of hub $p_N$ max.	Hub bore $D_1$ H9	Shaft diameter $D_2$ h9	[g]	Art. No.
$d_1$	$d_2$	$l_1$	$l_2$										
5	14	19	15	14	9.9	10.1	4.0	264	96	14	5	18	25050.0005
6	14	19	15	14	9.9	12.1	4.0	220	96	14	6	17	25050.0006
8	16	22	17	16	16.9	23.4	5.8	179	91	16	8	24	25050.0008
9	20	24	19	22	34.9	43.7	9.7	245	115	20	9	47	25050.0009
10	20	24	19	22	34.9	48.6	9.7	221	115	20	10	45	25050.0010
11	22	24	19	22	43.8	59.9	10.9	225	117	22	11	51	25050.0011
12	22	24	19	22	43.8	65.3	10.9	206	117	22	12	47	25050.0012
14	26	28	22	27	65.0	93.0	13.3	178	99	26	14	81	25050.0014
15	26	28	22	27	65.0	99.0	13.3	166	99	26	15	76	25050.0015
16	26	28	22	27	65.0	106.0	13.3	156	99	26	16	71	25050.0016
18	35	36	27	36	161.0	223.0	24.8	224	125	35	18	197	25050.0018
19	35	36	27	36	161.0	235.0	24.8	212	125	35	19	190	25050.0019
20	35	36	27	36	161.0	248.0	24.8	201	125	35	20	181	25050.0020
22	42	41	30	46	250.0	349.0	31.8	197	110	42	22	344	25050.0022
24	42	41	30	46	250.0	381.0	31.8	180	110	42	24	322	25050.0024
25	42	41	30	46	250.0	397.0	31.8	173	110	42	25	310	25050.0025
28	47	44	33	50	355.0	565.0	40.4	174	110	47	28	403	25050.0028
30	47	44	33	50	355.0	605.0	40.4	162	110	47	30	372	25050.0030
32	55	51	38	55	490.0	764.0	47.8	166	102	55	32	632	25050.0032
35	55	51	38	55	490.0	836.0	47.8	151	102	55	35	568	25050.0035
38	62	58	43	65	720.0	1179.0	62.1	159	111	62	38	895	25050.0038
40	62	58	43	65	720.0	1241.0	62.1	151	111	62	40	844	25050.0040

## Accessories

	WS [mm]	 [g]	Art. No.
<b>special fork wrench</b>			
	14	45	<a href="#">25050.0814</a>
	16	72	<a href="#">25050.0816</a>
	22	195	<a href="#">25050.0822</a>
	27	195	<a href="#">25050.0827</a>
	36	428	<a href="#">25050.0836</a>
	46	610	<a href="#">25050.0846</a>
	50	870	<a href="#">25050.0850</a>
	55	1125	<a href="#">25050.0855</a>
	65	1125	<a href="#">25050.0865</a>

## Application example



## Compliance

For detailed compliance information please select the desired article number.