

## Sensing Elements · with sensor adapter

EH 25010.



### Product Description

Spring plunger in robust and compact design with fine-pitch thread and integrated position sensing using standard proximity sensors. Suitable for multiple applications, e.g. for locking including position control and for proximity sensors with **flush contact**. Switching range adjustable via screwed position of sensor. Sensitivity of switching operations can be adjusted throughout the entire stroke.

### Material

#### Pin

- Stainless steel 1.4305

#### Housing

- Stainless steel 1.4305

#### Nut

- Brass (ISO 4035), nickel-plated

#### Spring

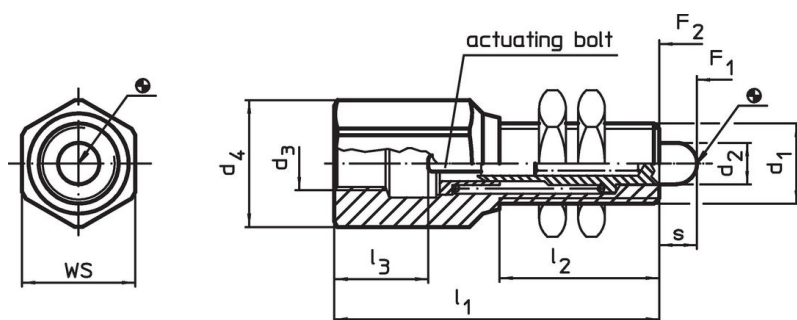
- Stainless steel

### More information

#### Further products

- Retrieval Units, with sensor

### Drawing

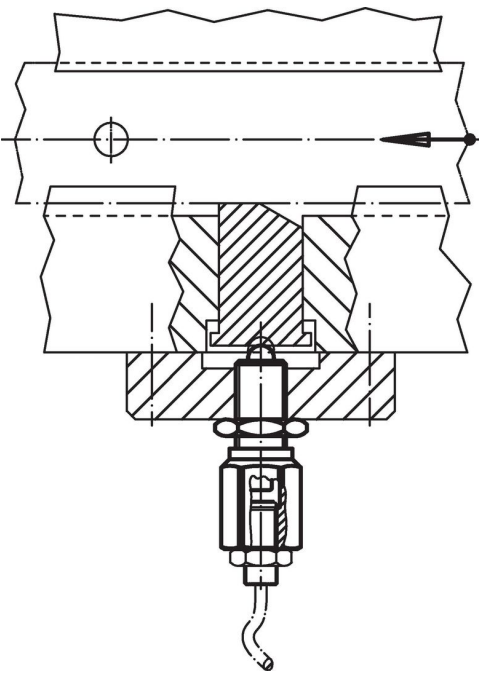


### Order information

d <sub>1</sub>	d <sub>2</sub>	Dimensions						WS	Spring load <sup>1)</sup>		Art. No.	
		d <sub>3</sub>	d <sub>4</sub>	l <sub>1</sub>	l <sub>2</sub>	l <sub>3</sub>	s		F <sub>1</sub>	F <sub>2</sub>		
[mm]								[mm]	[N]		[g]	
M12 x 1	6.2	M 8 x 1	19.0	44	20	15.5	5.6	17	24.0	41.5	57	<a href="#">25010.0012</a>
M16 x 1	8.5	M12 x 1	21.5	65	32	20.0	7.5	19	32.5	65.5	102	<a href="#">25010.0016</a>

<sup>1)</sup> statistical average value

## Application example



## Compliance

### RoHS compliant

Contains lead - compliant according to exceptions 6a / 6b / 6c.

### Contains SVHC substances >0,1% w/w

Contains lead - SVHC list [REACH] as of 27.06.2024.

### Contains Proposition 65 substances



Lead can cause cancer and reproductive harm from exposure  
<https://www.P65Warnings.ca.gov/>

### Free from Conflict Minerals

This product does not contain any substances designated as "conflict minerals" such as tantalum, tin, gold or tungsten from the Democratic Republic of Congo or adjacent countries.