

Knurled Thumb Screws • plastic

EH 24830.



Product Description

Material

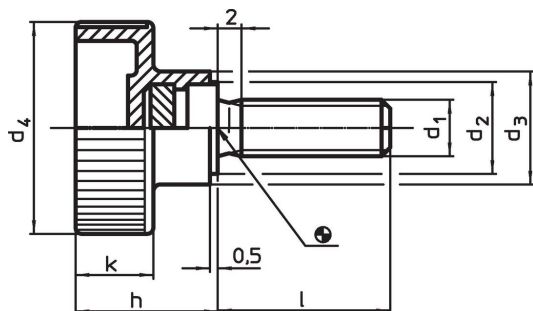
Handle

- Thermoplastic PA, black

Screw



- Steel, zinc-plated by galvanization
- Stainless steel 1.4567

Drawing

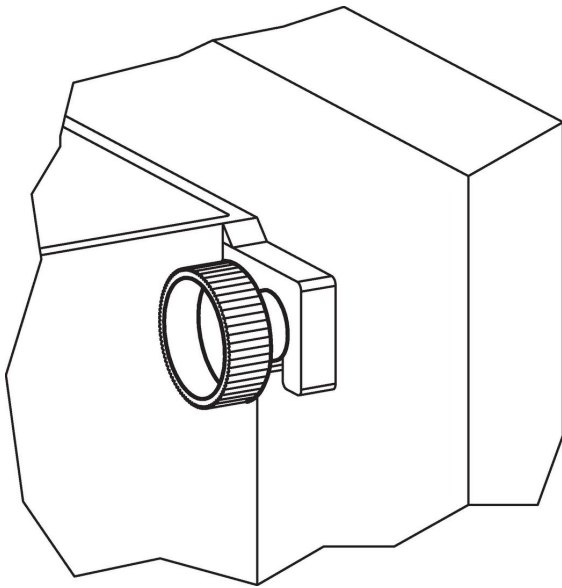


Order information

Dimensions							Temperature		Weight [g]	Art. No.
d ₁	l	d ₂	d ₃	d ₄	h	k	min.	max.		
[mm]							[°C]			
Steel										
M 4	10	9	12	19	14.0	8.0	-30	80	3.8	24830.0030
M 4	15	9	12	19	14.0	8.0	-30	80	4.0	24830.0032
M 4	20	9	12	19	14.0	8.0	-30	80	4.2	24830.0034
M 4	30	9	12	19	14.0	8.0	-30	80	7.0	24830.0036
M 5	10	9	12	19	14.0	8.0	-30	80	4.3	24830.0042
M 5	15	9	12	19	14.0	8.0	-30	80	5.0	24830.0043
M 5	20	9	12	19	14.0	8.0	-30	80	5.5	24830.0045
M 5	25	9	12	19	14.0	8.0	-30	80	6.0	24830.0046
M 6	10	12	14	24	16.5	9.5	-30	80	7.0	24830.0050
M 6	16	12	14	24	16.5	9.5	-30	80	7.9	24830.0053
M 6	20	12	14	24	16.5	9.5	-30	80	8.5	24830.0054
M 6	25	12	14	24	16.5	9.5	-30	80	9.0	24830.0055
M 6	30	12	14	24	16.5	9.5	-30	80	10.0	24830.0057
M 8	16	14	16	30	19.5	11.0	-30	80	14.0	24830.0060
M 8	20	14	16	30	19.5	11.0	-30	80	16.0	24830.0062
M 8	25	14	16	30	19.5	11.0	-30	80	17.0	24830.0064
M 8	30	14	16	30	19.5	11.0	-30	80	19.0	24830.0065
M 8	40	14	16	30	19.5	11.0	-30	80	20.0	24830.0067
M10	20	16	18	36	22.5	12.5	-30	80	30.0	24830.0070
M10	25	16	18	36	22.5	12.5	-30	80	31.0	24830.0072
M10	30	16	18	36	22.5	12.5	-30	80	33.0	24830.0074
M10	40	16	18	36	22.5	12.5	-30	80	38.0	24830.0076
Stainless steel										
M 5	10	9	12	19	14.0	8.0	-30	80	4.3	24830.0242
M 5	15	9	12	19	14.0	8.0	-30	80	5.0	24830.0243
M 5	20	9	12	19	14.0	8.0	-30	80	5.5	24830.0245
M 5	25	9	12	19	14.0	8.0	-30	80	6.0	24830.0246
M 6	10	12	14	24	16.5	9.5	-30	80	7.0	24830.0250
M 6	16	12	14	24	16.5	9.5	-30	80	7.9	24830.0253
M 6	20	12	14	24	16.5	9.5	-30	80	8.5	24830.0254
M 6	25	12	14	24	16.5	9.5	-30	80	9.0	24830.0255

d ₁	l	Dimensions					h	k	 min. max.		 [g]	Art. No.
		d ₂	d ₃	d ₄	[mm]				[°C]			
M 6	30	12	14	24	16.5	9.5	-30	80	10.0	24830.0257		
M 8	20	14	16	30	19.5	11.0	-30	80	16.0	24830.0262		
M 8	25	14	16	30	19.5	11.0	-30	80	17.0	24830.0264		
M 8	30	14	16	30	19.5	11.0	-30	80	19.0	24830.0265		
M 8	40	14	16	30	19.5	11.0	-30	80	20.0	24830.0267		
M10	20	16	18	36	22.5	12.5	-30	80	30.0	24830.0270		
M10	25	16	18	36	22.5	12.5	-30	80	31.0	24830.0272		
M10	30	16	18	36	22.5	12.5	-30	80	33.0	24830.0274		
M10	45	16	18	36	22.5	12.5	-30	80	38.0	24830.0278		
M10	55	16	18	36	22.5	12.5	-30	80	48.0	24830.0280		

Application example



Compliance

For detailed compliance information please select the desired article number.