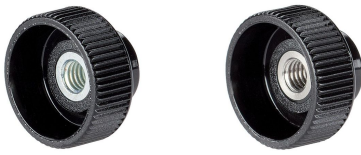


Knurled Nuts • plastic

EH 24820.



Product Description

Material

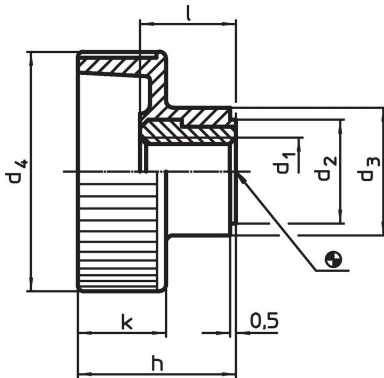
Bushing

- Steel, zinc-plated by galvanization
- Stainless steel 1.4305

Handle

- Thermoplastic PA, black

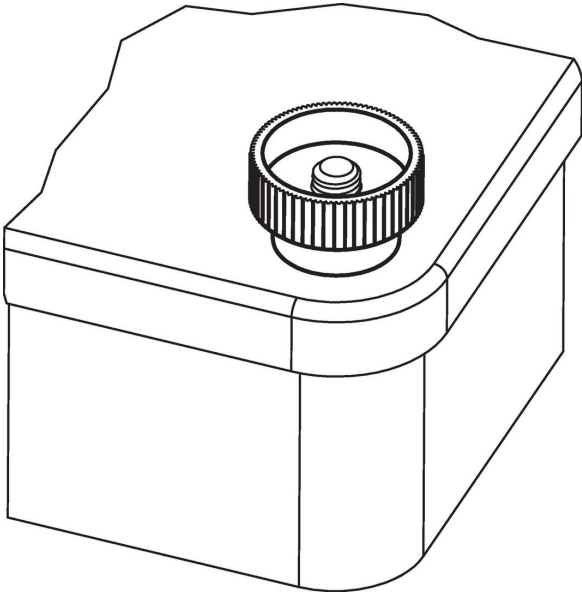
Drawing



Order information

Dimensions							Temperature		Weight	Art. No.
d ₁	d ₂	d ₃	d ₄	h	k	l	min.	max.	[g]	
[mm]							[°C]			
Steel										
M 4	9	12	19	14.0	8.0	9.0	-30	80	4.5	24820.0004
M 5	9	12	19	14.0	8.0	9.0	-30	80	4.0	24820.0005
M 6	12	14	24	16.5	9.5	10.5	-30	80	7.0	24820.0006
M 8	14	16	30	19.5	11.0	11.5	-30	80	10.0	24820.0008
M10	16	18	36	22.5	12.5	14.0	-30	80	15.0	24820.0010
Stainless steel										
M 5	9	12	19	14.0	8.0	9.0	-30	80	4.0	24820.0205
M 6	12	14	24	16.5	9.5	10.5	-30	80	7.0	24820.0206
M 8	14	16	30	19.5	11.0	11.5	-30	80	10.0	24820.0208

Application example



Compliance

For detailed compliance information please select the desired article number.