

## High Knurled Nuts • DIN 466 EH 24780.



### Product Description

Knurled nuts are very versatile. Three material versions for the different requirements

- Steel, blackened
  - Steel, zinc-plated by galvanization
  - Stainless steel
- are available.

Knurled nuts can be easily tightened and released by hand. The ribbed outer surface of the nut prevents slipping when tightening / releasing with the fingers. The high knurled nuts are manufactured according to DIN 467.

### Material

- Steel, blackened, quality 5
- Steel, zinc-plated by galvanization, quality 5
- Stainless steel 1.4305, dull blasted

### More information

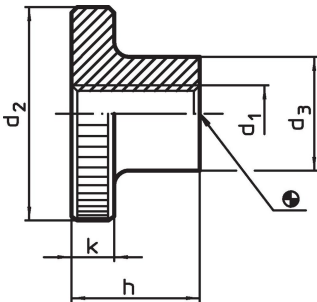
#### Notes

Knurling pitch and knurling depth may differ from DIN.

#### Further products

- Flat Knurled Nuts, DIN 467

### Drawing



### Order information

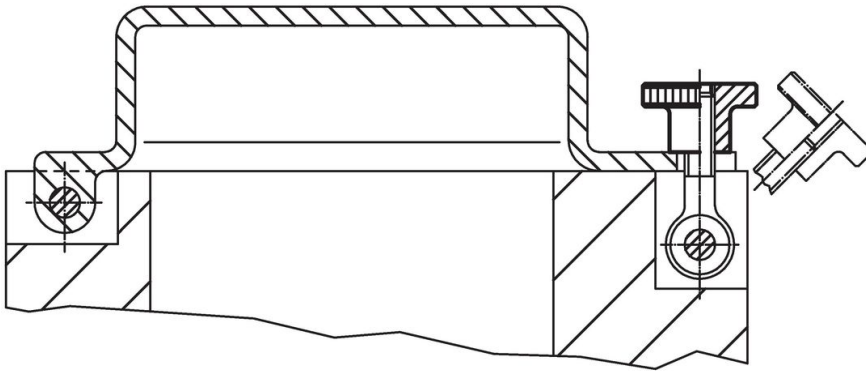
d <sub>1</sub>	d <sub>2</sub>	Dimensions			k	[g]	Art. No.
		d <sub>3</sub>	h	[mm]			
<b>Steel, blackened</b>							
M 3	12	6	7.5	2.5	2.9	24780.0030	
M 4	16	8	9.5	3.5	6.7	24780.0040	
M 5	20	10	11.5	4.0	12.0	24780.0050	
M 6	24	12	15.0	5.0	23.0	24780.0060	
M 8	30	16	18.0	6.0	44.0	24780.0080	
M10	36	20	23.0	8.0	85.0	24780.0100	
M12	40	22	25.0	10.0	119.0	24780.0120 <sup>1)</sup>	
<b>Steel, zinc-plated by galvanization</b>							
M 3	12	6	7.5	2.5	3.0	24780.0330	
M 4	16	8	9.5	3.5	7.0	24780.0340	
M 5	20	10	11.5	4.0	12.0	24780.0350	
M 6	24	12	15.0	5.0	22.0	24780.0360	
M 8	30	16	18.0	6.0	42.0	24780.0380	
M10	36	20	23.0	8.0	84.0	24780.0400	
M12	40	22	25.0	10.0	119.0	24780.0412 <sup>1)</sup>	

<sup>1)</sup> DIN standards do not include these dimensions.

d <sub>1</sub>	d <sub>2</sub>	Dimensions			k	[g]	Art. No.
		d <sub>3</sub>	h	[mm]			
<b>Stainless steel 1.4305</b>							
<b>M 4</b>	16	8	9.5	3.5	6.7	<a href="#">24780.0240</a>	
<b>M 5</b>	20	10	11.5	4.0	12.0	<a href="#">24780.0250</a>	
<b>M 6</b>	24	12	15.0	5.0	23.0	<a href="#">24780.0260</a>	
<b>M 8</b>	30	16	18.0	6.0	44.0	<a href="#">24780.0280</a>	
<b>M10</b>	36	20	23.0	8.0	85.0	<a href="#">24780.0300</a>	

<sup>1)</sup> DIN standards do not include these dimensions.

### Application example



### Compliance

For detailed compliance information please select the desired article number.