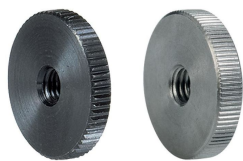


## Flat Knurled Nuts • DIN 467

EH 24760.



### Product Description

#### Material

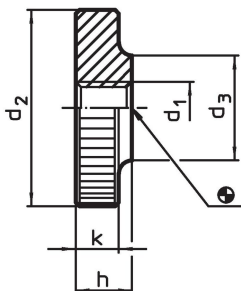
- Steel, blackened, quality 5
- Stainless steel 1.4305, dull blasted

#### More information

#### Notes

Knurling pitch and knurling depth may differ from DIN.

### Drawing

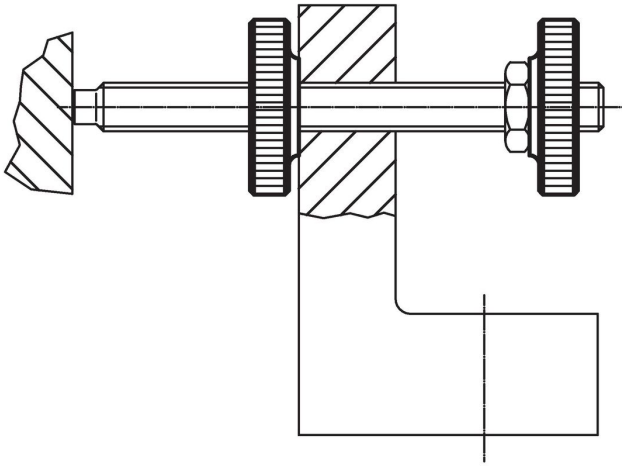


### Order information

d <sub>1</sub>	d <sub>2</sub>	Dimensions			k	[g]	Art. No.
		d <sub>3</sub>	h	[mm]			
<b>Steel</b>							
M 3	12	6	3	2.5	2.1	24760.0030	
M 4	16	8	4	3.5	5.1	24760.0040	
M 5	20	10	5	4.0	9.4	24760.0050	
M 6	24	12	6	5.0	17.0	24760.0060	
M 8	30	16	8	6.0	32.0	24760.0080	
M10	36	20	10	8.0	61.0	24760.0100	
M12	40	22	12	10.0	92.0	24760.0120 <sup>1)</sup>	
<b>Stainless steel</b>							
M 3	12	6	3	2.5	2.1	24760.0230	
M 4	16	8	4	3.5	5.1	24760.0240	
M 5	20	10	5	4.0	9.4	24760.0250	
M 6	24	12	6	5.0	17.0	24760.0260	
M 8	30	16	8	6.0	32.0	24760.0280	
M10	36	20	10	8.0	61.0	24760.0300	

<sup>1)</sup> DIN standards do not include these dimensions.

Application example



Compliance

For detailed compliance information please select the desired article number.