

Star Grip Screws · plastic

EH 24750.



Product Description

Material

Cap

- Thermoplastic PA, black similar to RAL 9005
- Thermoplastic PA, white similar to RAL 9019
- Thermoplastic PA, orange similar to RAL 2004
- Thermoplastic PA, yellow similar to RAL 1016
- Thermoplastic PA, blue similar to RAL 5015

Handle

- Thermoplastic PA 6, black similar to RAL 9005

Screw

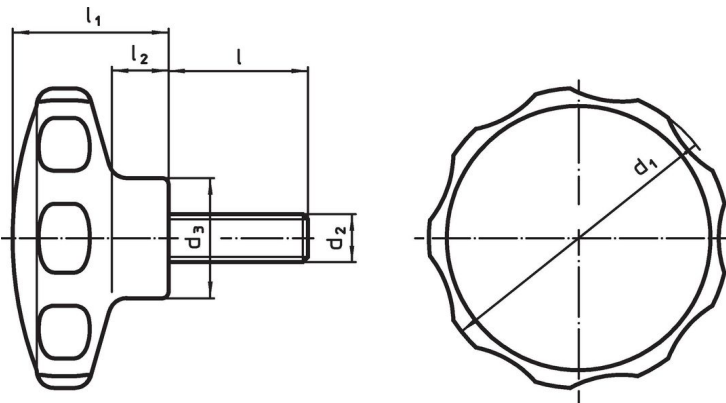
- Stainless steel

More information

Notes

Special types, e.g. differing threads or thread lengths, on request.

Drawing



Order information

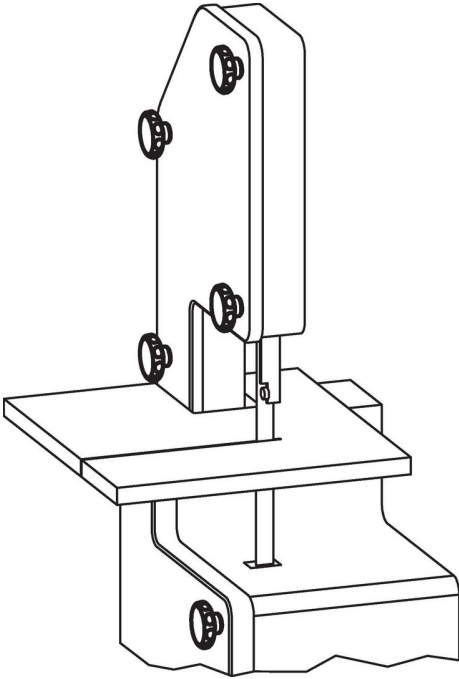
Dimensions							Temperature		Weight [g]	Art. No.
d ₁	d ₂	l	d ₃	l ₁	l ₂	min.	max.			
[mm]							[°C]			
black										
30	M 4	10	14.0	19	7	-30	80	6.1	24750.0100	
30	M 4	14	14.0	19	7	-30	80	6.6	24750.0110	
30	M 4	18	14.0	19	7	-30	80	6.9	24750.0120	
30	M 4	23	14.0	19	7	-30	80	7.3	24750.0130	
30	M 4	28	14.0	19	7	-30	80	7.7	24750.0140	
30	M 5	10	14.0	19	7	-30	80	7.5	24750.0150	
30	M 5	14	14.0	19	7	-30	80	7.9	24750.0160	
30	M 5	18	14.0	19	7	-30	80	8.4	24750.0170	
30	M 5	23	14.0	19	7	-30	80	9.0	24750.0180	
30	M 5	28	14.0	19	7	-30	80	9.0	24750.0190	
40	M 5	10	16.5	22	9	-30	80	9.6	24750.0200	
40	M 5	14	16.5	22	9	-30	80	10.0	24750.0210	
40	M 5	18	16.5	22	9	-30	80	11.0	24750.0220	
40	M 5	23	16.5	22	9	-30	80	12.0	24750.0230	
40	M 5	28	16.5	22	9	-30	80	12.0	24750.0240	
40	M 6	14	16.5	22	9	-30	80	12.0	24750.0250	
40	M 6	18	16.5	22	9	-30	80	13.0	24750.0260	
40	M 6	23	16.5	22	9	-30	80	14.0	24750.0270	
40	M 6	28	16.5	22	9	-30	80	15.0	24750.0280	

Dimensions						Temperature		Weight [g]	Art. No.
d ₁	d ₂	l	d ₃	l ₁	l ₂	min.	max.		
[mm]						[°C]			
40	M 6	38	16.5	22	9	-30	80	16.0	24750.0290
50	M 6	14	22.0	26	10	-30	80	19.0	24750.0300
50	M 6	18	22.0	26	10	-30	80	19.0	24750.0310
50	M 6	23	22.0	26	10	-30	80	20.0	24750.0320
50	M 6	28	22.0	26	10	-30	80	21.0	24750.0330
50	M 6	38	22.0	26	10	-30	80	23.0	24750.0340
50	M 8	18	22.0	26	10	-30	80	26.0	24750.0350
50	M 8	23	22.0	26	10	-30	80	27.0	24750.0360
50	M 8	28	22.0	26	10	-30	80	29.0	24750.0370
50	M 8	38	22.0	26	10	-30	80	32.0	24750.0380
50	M 8	48	22.0	26	10	-30	80	35.0	24750.0390
62	M 8	18	22.0	35	13	-30	80	40.0	24750.0400
62	M 8	23	22.0	35	13	-30	80	41.0	24750.0410
62	M 8	28	22.0	35	13	-30	80	43.0	24750.0420
62	M 8	38	22.0	35	13	-30	80	46.0	24750.0430
62	M 8	48	22.0	35	13	-30	80	49.0	24750.0440
62	M10	23	22.0	35	13	-30	80	51.0	24750.0450
62	M10	28	22.0	35	13	-30	80	54.0	24750.0460
62	M10	38	22.0	35	13	-30	80	59.0	24750.0470
62	M10	48	22.0	35	13	-30	80	64.0	24750.0480
62	M10	58	22.0	35	13	-30	80	69.0	24750.0490
white									
30	M 4	10	14.0	19	7	-30	80	6.1	24750.0101
30	M 4	14	14.0	19	7	-30	80	6.6	24750.0111
30	M 4	18	14.0	19	7	-30	80	6.9	24750.0121
30	M 4	23	14.0	19	7	-30	80	7.3	24750.0131
30	M 4	28	14.0	19	7	-30	80	7.7	24750.0141
30	M 5	10	14.0	19	7	-30	80	7.5	24750.0151
30	M 5	14	14.0	19	7	-30	80	7.9	24750.0161
30	M 5	18	14.0	19	7	-30	80	8.4	24750.0171
30	M 5	23	14.0	19	7	-30	80	9.0	24750.0181
30	M 5	28	14.0	19	7	-30	80	9.0	24750.0191
40	M 5	10	16.5	22	9	-30	80	9.6	24750.0201
40	M 5	14	16.5	22	9	-30	80	10.0	24750.0211
40	M 5	18	16.5	22	9	-30	80	11.0	24750.0221
40	M 5	23	16.5	22	9	-30	80	12.0	24750.0231
40	M 5	28	16.5	22	9	-30	80	12.0	24750.0241
40	M 6	14	16.5	22	9	-30	80	12.0	24750.0251
40	M 6	18	16.5	22	9	-30	80	13.0	24750.0261
40	M 6	23	16.5	22	9	-30	80	14.0	24750.0271
40	M 6	28	16.5	22	9	-30	80	15.0	24750.0281
40	M 6	38	16.5	22	9	-30	80	16.0	24750.0291
50	M 6	14	22.0	26	10	-30	80	19.0	24750.0301
50	M 6	18	22.0	26	10	-30	80	19.0	24750.0311
50	M 6	23	22.0	26	10	-30	80	20.0	24750.0321
50	M 6	28	22.0	26	10	-30	80	21.0	24750.0331
50	M 6	38	22.0	26	10	-30	80	23.0	24750.0341
50	M 8	18	22.0	26	10	-30	80	26.0	24750.0351
50	M 8	23	22.0	26	10	-30	80	27.0	24750.0361
50	M 8	28	22.0	26	10	-30	80	29.0	24750.0371
50	M 8	38	22.0	26	10	-30	80	32.0	24750.0381
50	M 8	48	22.0	26	10	-30	80	35.0	24750.0391
62	M 8	18	22.0	35	13	-30	80	40.0	24750.0401
62	M 8	23	22.0	35	13	-30	80	41.0	24750.0411
62	M 8	28	22.0	35	13	-30	80	43.0	24750.0421
62	M 8	38	22.0	35	13	-30	80	46.0	24750.0431
62	M 8	48	22.0	35	13	-30	80	49.0	24750.0441
62	M10	23	22.0	35	13	-30	80	51.0	24750.0451
62	M10	28	22.0	35	13	-30	80	54.0	24750.0461
62	M10	38	22.0	35	13	-30	80	59.0	24750.0471
62	M10	48	22.0	35	13	-30	80	64.0	24750.0481
62	M10	58	22.0	35	13	-30	80	69.0	24750.0491

Dimensions						min. max.		[g]	Art. No.
d ₁	d ₂	l	d ₃	l ₁	l ₂	[°C]		[g]	
[mm]									
orange									
30	M 4	10	14.0	19	7	-30	80	6.1	24750.0102
30	M 4	14	14.0	19	7	-30	80	6.6	24750.0112
30	M 4	18	14.0	19	7	-30	80	6.9	24750.0122
30	M 4	23	14.0	19	7	-30	80	7.3	24750.0132
30	M 4	28	14.0	19	7	-30	80	7.7	24750.0142
30	M 5	10	14.0	19	7	-30	80	7.5	24750.0152
30	M 5	14	14.0	19	7	-30	80	7.9	24750.0162
30	M 5	18	14.0	19	7	-30	80	8.4	24750.0172
30	M 5	23	14.0	19	7	-30	80	9.0	24750.0182
30	M 5	28	14.0	19	7	-30	80	9.0	24750.0192
40	M 5	10	16.5	22	9	-30	80	9.6	24750.0202
40	M 5	14	16.5	22	9	-30	80	10.0	24750.0212
40	M 5	18	16.5	22	9	-30	80	11.0	24750.0222
40	M 5	23	16.5	22	9	-30	80	12.0	24750.0232
40	M 5	28	16.5	22	9	-30	80	12.0	24750.0242
40	M 6	14	16.5	22	9	-30	80	12.0	24750.0252
40	M 6	18	16.5	22	9	-30	80	13.0	24750.0262
40	M 6	23	16.5	22	9	-30	80	14.0	24750.0272
40	M 6	28	16.5	22	9	-30	80	15.0	24750.0282
40	M 6	38	16.5	22	9	-30	80	16.0	24750.0292
50	M 6	14	22.0	26	10	-30	80	19.0	24750.0302
50	M 6	18	22.0	26	10	-30	80	19.0	24750.0312
50	M 6	23	22.0	26	10	-30	80	20.0	24750.0322
50	M 6	28	22.0	26	10	-30	80	21.0	24750.0332
50	M 6	38	22.0	26	10	-30	80	23.0	24750.0342
50	M 8	18	22.0	26	10	-30	80	26.0	24750.0352
50	M 8	23	22.0	26	10	-30	80	27.0	24750.0362
50	M 8	28	22.0	26	10	-30	80	29.0	24750.0372
50	M 8	38	22.0	26	10	-30	80	32.0	24750.0382
50	M 8	48	22.0	26	10	-30	80	35.0	24750.0392
62	M 8	18	22.0	35	13	-30	80	40.0	24750.0402
62	M 8	23	22.0	35	13	-30	80	41.0	24750.0412
62	M 8	28	22.0	35	13	-30	80	43.0	24750.0422
62	M 8	38	22.0	35	13	-30	80	46.0	24750.0432
62	M 8	48	22.0	35	13	-30	80	49.0	24750.0442
62	M10	23	22.0	35	13	-30	80	51.0	24750.0452
62	M10	28	22.0	35	13	-30	80	54.0	24750.0462
62	M10	38	22.0	35	13	-30	80	59.0	24750.0472
62	M10	48	22.0	35	13	-30	80	64.0	24750.0482
62	M10	58	22.0	35	13	-30	80	69.0	24750.0492
yellow									
30	M 4	10	14.0	19	7	-30	80	6.1	24750.0103
30	M 4	14	14.0	19	7	-30	80	6.6	24750.0113
30	M 4	18	14.0	19	7	-30	80	6.9	24750.0123
30	M 4	23	14.0	19	7	-30	80	7.3	24750.0133
30	M 4	28	14.0	19	7	-30	80	7.7	24750.0143
30	M 5	10	14.0	19	7	-30	80	7.5	24750.0153
30	M 5	14	14.0	19	7	-30	80	7.9	24750.0163
30	M 5	18	14.0	19	7	-30	80	8.4	24750.0173
30	M 5	23	14.0	19	7	-30	80	9.0	24750.0183
30	M 5	28	14.0	19	7	-30	80	9.0	24750.0193
40	M 5	10	16.5	22	9	-30	80	9.6	24750.0203
40	M 5	14	16.5	22	9	-30	80	10.0	24750.0213
40	M 5	18	16.5	22	9	-30	80	11.0	24750.0223
40	M 5	23	16.5	22	9	-30	80	12.0	24750.0233
40	M 5	28	16.5	22	9	-30	80	12.0	24750.0243
40	M 6	14	16.5	22	9	-30	80	12.0	24750.0253
40	M 6	18	16.5	22	9	-30	80	13.0	24750.0263
40	M 6	23	16.5	22	9	-30	80	14.0	24750.0273
40	M 6	28	16.5	22	9	-30	80	15.0	24750.0283
40	M 6	38	16.5	22	9	-30	80	16.0	24750.0293

Dimensions						Temperature		Weight [g]	Art. No.
d ₁	d ₂	l	d ₃	l ₁	l ₂	min.	max.		
[mm]					[°C]				
50	M 6	14	22.0	26	10	-30	80	19.0	24750.0303
50	M 6	18	22.0	26	10	-30	80	19.0	24750.0313
50	M 6	23	22.0	26	10	-30	80	20.0	24750.0323
50	M 6	28	22.0	26	10	-30	80	21.0	24750.0333
50	M 6	38	22.0	26	10	-30	80	23.0	24750.0343
50	M 8	18	22.0	26	10	-30	80	26.0	24750.0353
50	M 8	23	22.0	26	10	-30	80	27.0	24750.0363
50	M 8	28	22.0	26	10	-30	80	29.0	24750.0373
50	M 8	38	22.0	26	10	-30	80	32.0	24750.0383
50	M 8	48	22.0	26	10	-30	80	35.0	24750.0393
62	M 8	18	22.0	35	13	-30	80	40.0	24750.0403
62	M 8	23	22.0	35	13	-30	80	41.0	24750.0413
62	M 8	28	22.0	35	13	-30	80	43.0	24750.0423
62	M 8	38	22.0	35	13	-30	80	46.0	24750.0433
62	M 8	48	22.0	35	13	-30	80	49.0	24750.0443
62	M10	23	22.0	35	13	-30	80	51.0	24750.0453
62	M10	28	22.0	35	13	-30	80	54.0	24750.0463
62	M10	38	22.0	35	13	-30	80	59.0	24750.0473
62	M10	48	22.0	35	13	-30	80	64.0	24750.0483
62	M10	58	22.0	35	13	-30	80	69.0	24750.0493
blue									
30	M 4	10	14.0	19	7	-30	80	6.1	24750.0104
30	M 4	14	14.0	19	7	-30	80	6.6	24750.0114
30	M 4	18	14.0	19	7	-30	80	6.9	24750.0124
30	M 4	23	14.0	19	7	-30	80	7.3	24750.0134
30	M 4	28	14.0	19	7	-30	80	7.7	24750.0144
30	M 5	10	14.0	19	7	-30	80	7.5	24750.0154
30	M 5	14	14.0	19	7	-30	80	7.9	24750.0164
30	M 5	18	14.0	19	7	-30	80	8.4	24750.0174
30	M 5	23	14.0	19	7	-30	80	9.0	24750.0184
30	M 5	28	14.0	19	7	-30	80	9.0	24750.0194
40	M 5	10	16.5	22	9	-30	80	9.6	24750.0204
40	M 5	14	16.5	22	9	-30	80	10.0	24750.0214
40	M 5	18	16.5	22	9	-30	80	11.0	24750.0224
40	M 5	23	16.5	22	9	-30	80	12.0	24750.0234
40	M 5	28	16.5	22	9	-30	80	12.0	24750.0244
40	M 6	14	16.5	22	9	-30	80	12.0	24750.0254
40	M 6	18	16.5	22	9	-30	80	13.0	24750.0264
40	M 6	23	16.5	22	9	-30	80	14.0	24750.0274
40	M 6	28	16.5	22	9	-30	80	15.0	24750.0284
40	M 6	38	16.5	22	9	-30	80	16.0	24750.0294
50	M 6	14	22.0	26	10	-30	80	19.0	24750.0304
50	M 6	18	22.0	26	10	-30	80	19.0	24750.0314
50	M 6	23	22.0	26	10	-30	80	20.0	24750.0324
50	M 6	28	22.0	26	10	-30	80	21.0	24750.0334
50	M 6	38	22.0	26	10	-30	80	23.0	24750.0344
50	M 8	18	22.0	26	10	-30	80	26.0	24750.0354
50	M 8	23	22.0	26	10	-30	80	27.0	24750.0364
50	M 8	28	22.0	26	10	-30	80	29.0	24750.0374
50	M 8	38	22.0	26	10	-30	80	32.0	24750.0384
50	M 8	48	22.0	26	10	-30	80	35.0	24750.0394
62	M 8	18	22.0	35	13	-30	80	40.0	24750.0404
62	M 8	23	22.0	35	13	-30	80	41.0	24750.0414
62	M 8	28	22.0	35	13	-30	80	43.0	24750.0424
62	M 8	38	22.0	35	13	-30	80	46.0	24750.0434
62	M 8	48	22.0	35	13	-30	80	49.0	24750.0444
62	M10	23	22.0	35	13	-30	80	51.0	24750.0454
62	M10	28	22.0	35	13	-30	80	54.0	24750.0464
62	M10	38	22.0	35	13	-30	80	59.0	24750.0474
62	M10	48	22.0	35	13	-30	80	64.0	24750.0484
62	M10	58	22.0	35	13	-30	80	69.0	24750.0494

Application example



Compliance

RoHS compliant

Compliant according to Directive 2011/65/EU and Directive 2015/863.

Does not contain SVHC substances

No SVHC substances with more than 0.1% w/w contained - SVHC list [REACH] as of 23.01.2024.

Does not contain Proposition 65 substances

No Proposition 65 substances included.

<https://www.P65Warnings.ca.gov/>

Free from Conflict Minerals

This product does not contain any substances designated as "conflict minerals" such as tantalum, tin, gold or tungsten from the Democratic Republic of Congo or adjacent countries.