

## Palm Grip Screws • similar to DIN 6335, stainless steel

EH 24731.



### Product Description

These grub screws with palm grip are manufactured according to DIN 6335, but it is a version without dirty edges. This makes these grub screws with palm grip suitable for all areas of application with high hygienic requirements.

### Material

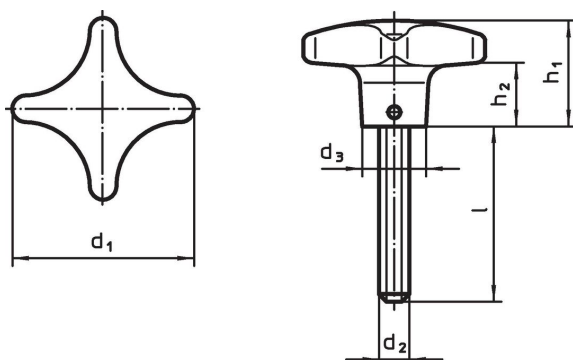
#### Handle

- stainless steel, dull blasted

#### Screw

- Stainless steel 1.4305

### Drawing



### Order information

d <sub>1</sub>	d <sub>2</sub>	Dimensions				[g]	Art. No.
		l	d <sub>3</sub>	h <sub>1</sub>	h <sub>2</sub>		
		[mm]					
40	M 8	20	14	25	13	76	<a href="#">24731.0005</a>
40	M 8	25	14	25	13	70	<a href="#">24731.0010</a>
40	M 8	30	14	25	13	70	<a href="#">24731.0015</a>
40	M 8	40	14	25	13	82	<a href="#">24731.0020</a>
50	M10	20	18	32	18	135	<a href="#">24731.0025</a>
50	M10	25	18	32	18	138	<a href="#">24731.0030</a>
50	M10	30	18	32	18	138	<a href="#">24731.0035</a>
50	M10	45	18	32	18	160	<a href="#">24731.0040</a>
50	M10	55	18	32	18	149	<a href="#">24731.0045</a>
63	M12	30	20	40	23	249	<a href="#">24731.0050</a>
63	M12	40	20	40	23	240	<a href="#">24731.0055</a>
63	M12	50	20	40	23	250	<a href="#">24731.0060</a>

## Compliance

### RoHS compliant

Compliant according to Directive 2011/65/EU and Directive 2015/863.

### Does not contain SVHC substances

No SVHC substances with more than 0.1% w/w contained - SVHC list [REACH] as of 27.06.2024.

### Does not contain Proposition 65 substances

No Proposition 65 substances included.

<https://www.P65Warnings.ca.gov/>

### Free from Conflict Minerals

This product does not contain any substances designated as "conflict minerals" such as tantalum, tin, gold or tungsten from the Democratic Republic of Congo or adjacent countries.