

Star Grips • similar to DIN 6336, stainless steel A4
EH 24691.



Product Description

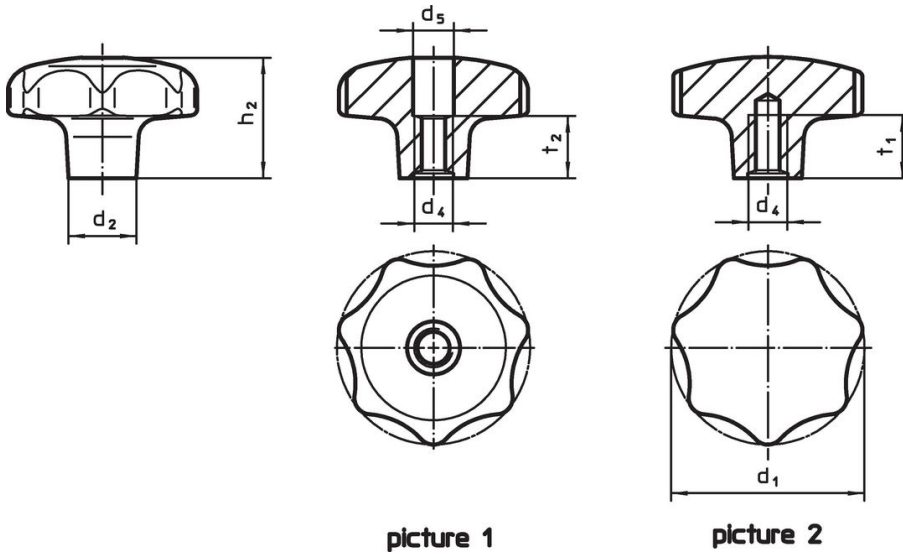
Version without dirt trap. Convenient for all applications having high hygienic requirements (e.g. food industry).
The stainless steel A4 version ensures maximum corrosion resistance.

Material

Handle

- Stainless steel 1.4408, precision casting, polished

Drawing



Order information

d ₁	d ₂	d ₄	Dimensions				[g]	Art. No.
			d ₅	h ₂	t ₁ min.	t ₂		
[mm]								
with thread, drilled-out – picture 1								
32	12	M 6	6.4	20	–	10	57	24691.1332
40	14	M 8	8.4	25	–	13	103	24691.1340
50	18	M10	10.0	32	–	16	209	24691.1350
63	20	M12	13.0	40	–	20	384	24691.1363
with threaded blind hole – picture 2								
32	12	M 6	–	20	12	–	59	24691.1432
40	14	M 8	–	25	15	–	107	24691.1440
50	18	M10	–	32	18	–	221	24691.1450
63	20	M12	–	40	22	–	389	24691.1463

Compliance

RoHS compliant

Compliant according to Directive 2011/65/EU and Directive 2015/863.

Does not contain SVHC substances

No SVHC substances with more than 0.1% w/w contained - SVHC list [REACH] as of 27.06.2024.

Does not contain Proposition 65 substances

No Proposition 65 substances included.

<https://www.P65Warnings.ca.gov/>

Free from Conflict Minerals

This product does not contain any substances designated as "conflict minerals" such as tantalum, tin, gold or tungsten from the Democratic Republic of Congo or adjacent countries.