

Star Grips • stainless steel, solid
EH 24690.



Product Description

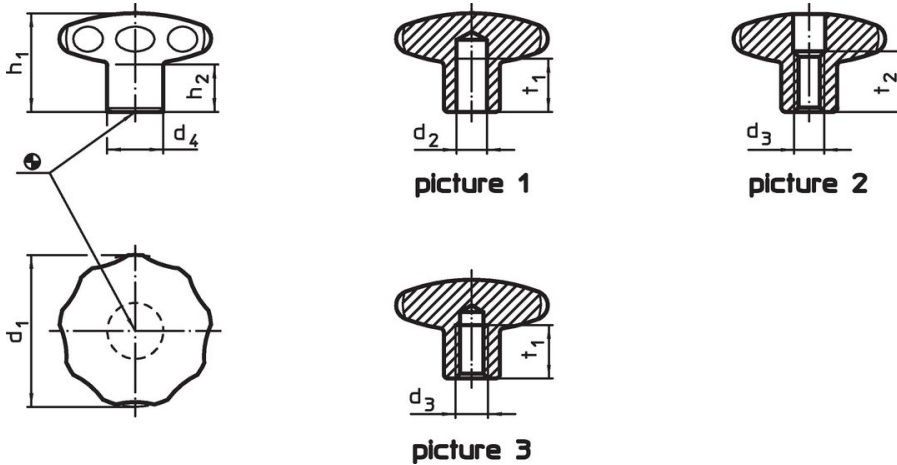
Version without dirt trap. Convenient for all applications having high hygienic requirements (e.g. food industry).

Material

Handle

- Stainless steel 1.4305, dull blasted

Drawing



Order information

d ₁	d ₂ h7	d ₃	Dimensions						[g]	Art. No.
			d ₄	h ₁	h ₂	t ₁ min.	t ₂	[mm]		
with smooth blind hole – picture 1										
40	8	–	18	30.5	15	12	–	131	24690.0643	
50	10	–	21	34.0	17	15	–	223	24690.0653	
60	12	–	25	39.0	18	18	–	388	24690.0663	
with thread, drilled-out – picture 2										
40	–	M 8	18	30.5	15	–	13	140	24690.0644	
50	–	M10	21	34.0	17	–	16	216	24690.0654	
60	–	M12	25	39.0	18	–	20	362	24690.0664	
with threaded blind hole – picture 3										
40	–	M 6	18	30.5	15	12	–	134	24690.0645	
40	–	M 8	18	30.5	15	12	–	132	24690.0646	
50	–	M 8	21	34.0	17	15	–	226	24690.0655	
50	–	M10	21	34.0	17	15	–	270	24690.0656	
60	–	M10	25	39.0	18	18	–	395	24690.0665	
60	–	M12	25	39.0	18	18	–	384	24690.0666	

Application example



Compliance

RoHS compliant

Compliant according to Directive 2011/65/EU and Directive 2015/863.

Does not contain SVHC substances

No SVHC substances with more than 0.1% w/w contained - SVHC list [REACH] as of 27.06.2024.

Does not contain Proposition 65 substances

No Proposition 65 substances included.

<https://www.P65Warnings.ca.gov/>

Free from Conflict Minerals

This product does not contain any substances designated as "conflict minerals" such as tantalum, tin, gold or tungsten from the Democratic Republic of Congo or adjacent countries.