

Star Grips • Stainless steel

EH 24690.



Product Description

Material

Handle

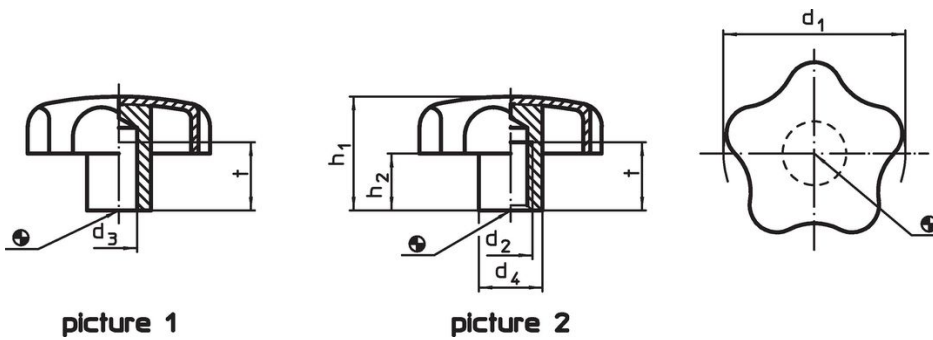
- Stainless steel 1.4301, dull blasted

More information

Notes

Grip: Sheet-iron drawn. **Hub:** Butt-welded

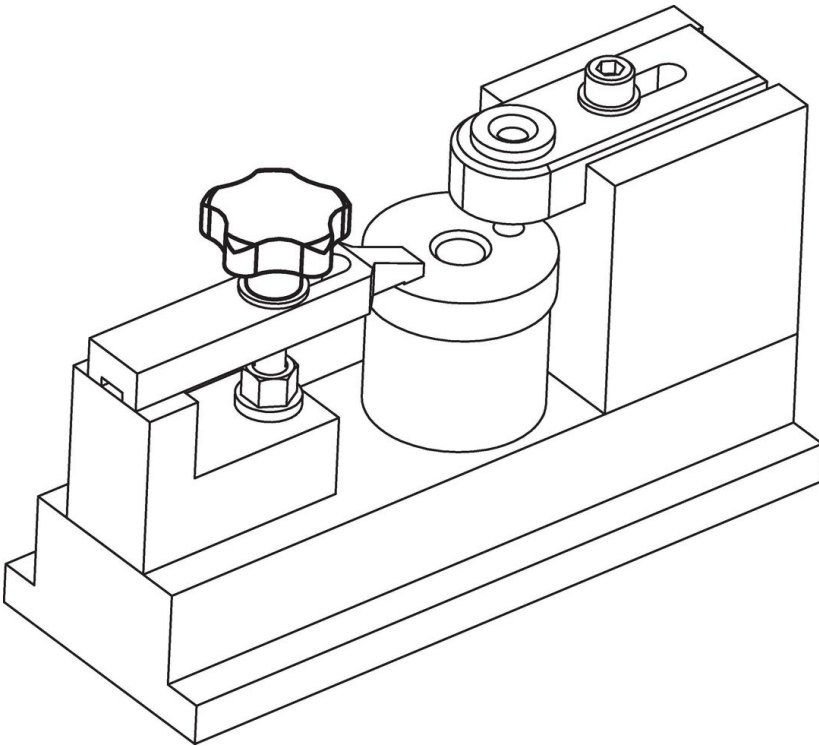
Drawing



Order information

d ₁	d ₂	d ₃ H7	Dimensions			t min.	[g]	Art. No.
			d ₄ [mm]	h ₁ ~	h ₂ ~			
with smooth blind hole – picture 1								
40	–	8	14	25	12.5	15	37	24690.0240
50	–	10	18	32	17.5	18	68	24690.0250
60	–	12	20	40	21.0	22	110	24690.0260
with threaded blind hole – picture 2								
40	M 8	–	14	25	12.5	15	37	24690.0440
50	M10	–	18	32	17.5	18	69	24690.0450
60	M12	–	20	40	21.0	22	112	24690.0460

Application example



Compliance

RoHS compliant

Compliant according to Directive 2011/65/EU and Directive 2015/863.

Does not contain SVHC substances

No SVHC substances with more than 0.1% w/w contained - SVHC list [REACH] as of 27.06.2024.

Does not contain Proposition 65 substances

No Proposition 65 substances included.
<https://www.P65Warnings.ca.gov/>

Free from Conflict Minerals

This product does not contain any substances designated as "conflict minerals" such as tantalum, tin, gold or tungsten from the Democratic Republic of Congo or adjacent countries.