

Star Grips • DIN 6336 grey cast iron
EH 24650.



Product Description

These star grips are manufactured according to DIN 6336. Sandblasted or tumbled.

Material

Handle

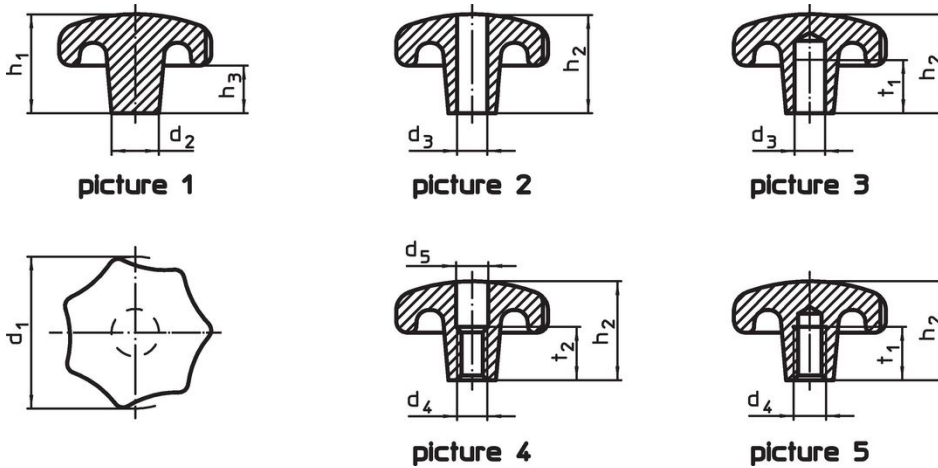
- Grey cast iron GG 20, bright

More information

Notes


Customized designs with different bores or surface treatment can be obtained on request.

Drawing



Order information

d ₁	d ₂	d ₃ H7	d ₄	Dimensions						[g]	Art. No.
				d ₅ [mm]	h ₁	h ₂	h ₃	t ₁ min.	t ₂		
raw part, form A – picture 1											
32	12	–	–	–	21	–	10	–	–	55	24650.0032
40	14	–	–	–	26	–	13	–	–	77	24650.0040
50	18	–	–	–	34	–	17	–	–	147	24650.0050
63	20	–	–	–	42	–	21	–	–	314	24650.0063
80	25	–	–	–	52	–	25	–	–	629	24650.0080
with smooth throughgoing bore, form B – picture 2											
32	12	6	–	–	–	20	–	–	–	186	24650.0132
40	14	8	–	–	–	25	–	–	–	72	24650.0140
50	18	10	–	–	–	32	–	–	–	130	24650.0150
63	20	12	–	–	–	40	–	–	–	275	24650.0163
80	25	16	–	–	–	50	–	–	–	548	24650.0180
with smooth blind hole, form C – picture 3											
32	12	6	–	–	–	20	–	12	–	40	24650.0232
40	14	8	–	–	–	25	–	15	–	74	24650.0240
50	18	10	–	–	–	32	–	18	–	133	24650.0250
63	20	12	–	–	–	40	–	22	–	280	24650.0263
80	25	16	–	–	–	50	–	28	–	573	24650.0280
with thread, drilled out, form D – picture 4											
32	12	–	M 6	6.4	–	20	–	–	10	39	24650.0332
40	14	–	M 8	8.4	–	25	–	–	13	72	24650.0340
50	18	–	M10	10.5	–	32	–	–	16	125	24650.0350
63	20	–	M12	13.0	–	40	–	–	20	277	24650.0363
80	25	–	M16	17.0	–	50	–	–	20	541	24650.0380

d ₁	d ₂	d ₃ H7	d ₄	Dimensions							Art. No.
				d ₅ [mm]	h ₁	h ₂	h ₃	t ₁ min.	t ₂		
with threaded blind hole, form E – picture 5											
32	12	–	M 6	–	–	20	–	12	–	40	24650.0432
40	14	–	M 8	–	–	25	–	15	–	186	24650.0440
50	18	–	M10	–	–	32	–	18	–	132	24650.0450
63	20	–	M12	–	–	40	–	22	–	280	24650.0463
80	25	–	M16	–	–	50	–	28	–	572	24650.0480

Compliance

RoHS compliant

Compliant according to Directive 2011/65/EU and Directive 2015/863.

Does not contain SVHC substances

No SVHC substances with more than 0.1% w/w contained - SVHC list [REACH] as of 27.06.2024.

Does not contain Proposition 65 substances

No Proposition 65 substances included.

<https://www.P65Warnings.ca.gov/>

Free from Conflict Minerals

This product does not contain any substances designated as "conflict minerals" such as tantalum, tin, gold or tungsten from the Democratic Republic of Congo or adjacent countries.