

## Handwheels • DIN 950 grey cast iron

EH 24580.



### Product Description

Hub machined; rim turned and mirror-finished on all sides, non-machined surfaces cleanly blasted.

### Material

#### Handwheel

- Grey cast iron GG

#### Machine handle DIN 39 EH 24450.

- Steel, turned, zinc-plated by galvanization, passivated

#### Machine handle DIN 98 EH 24460. rotating

- Steel, turned, zinc-plated by galvanization, passivated

### Assembly

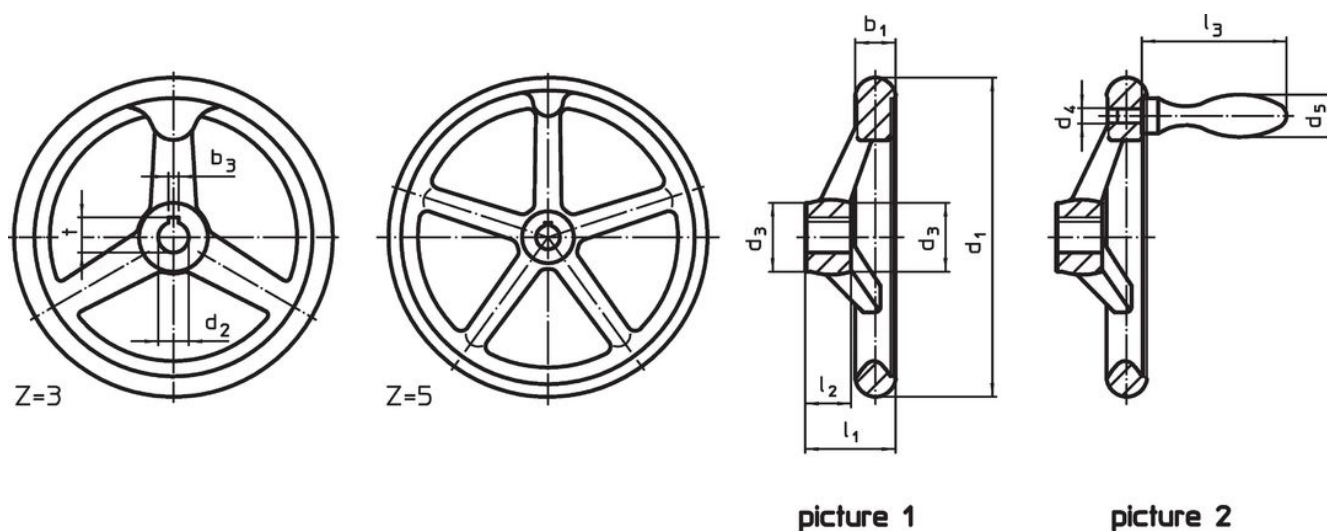
Shaft-end washers EH 22270. for axial fastening.

### More information

### Further products

- Shaft-End Washers
- Rotating Machine Handles, DIN 98


### Drawing




The orientation of the hub keyway may be different than shown in the drawing.

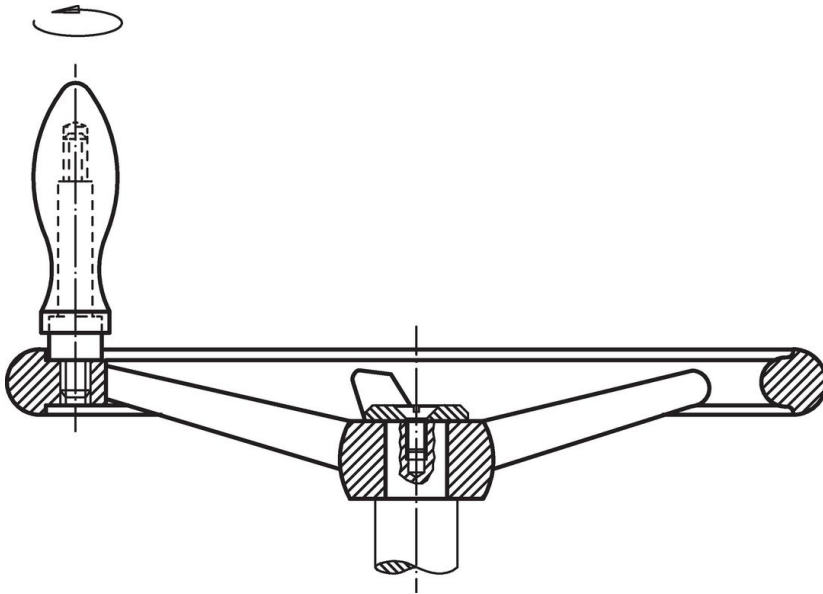
### Order information

Dimensions								Hub keyway, DIN 6885 sheet 1		Number of spokes z	Corresponding machine handle DIN 39 / DIN 98	[g]	Art. No.
d <sub>1</sub>	d <sub>2</sub> H7	d <sub>3</sub>	d <sub>4</sub>	d <sub>5</sub>	l <sub>1</sub> ~	l <sub>2</sub>	l <sub>3</sub> ~	b <sub>3</sub>	t				
without hub keyway, without handle, form B-F/A (formerly: A 4) – picture 1													
80	10	24	–	–	29	16	–	–	–	3	–	304	24580.0000
80	12	24	–	–	29	16	–	–	–	3	–	319	24580.0001
100	10	26	–	–	33	17	–	–	–	3	–	486	24580.0005
100	12	26	–	–	33	17	–	–	–	3	–	506	24580.0006
125	12	28	–	–	36	18	–	–	–	3	–	720	24580.0010
125	14	28	–	–	36	18	–	–	–	3	–	750	24580.0011
140	14	30	–	–	39	19	–	–	–	3	–	865	24580.0015
140	16	30	–	–	39	19	–	–	–	3	–	907	24580.0016
160	14	32	–	–	40	20	–	–	–	3	–	1151	24580.0020
160	16	32	–	–	40	20	–	–	–	3	–	1145	24580.0021
200	18	38	–	–	45	24	–	–	–	3	–	2218	24580.0030
200	22	38	–	–	45	24	–	–	–	3	–	2168	24580.0031
250	22	45	–	–	50	28	–	–	–	5	–	3740	24580.0040
250	26	45	–	–	50	28	–	–	–	5	–	3621	24580.0041

Dimensions								Hub keyway, DIN 6885 sheet 1		Number of spokes z	Corresponding machine handle DIN 39 / DIN 98		Art. No.
d <sub>1</sub>	d <sub>2</sub> H7	d <sub>3</sub>	d <sub>4</sub>	d <sub>5</sub>	l <sub>1</sub> ~	l <sub>2</sub>	l <sub>3</sub> ~	b <sub>3</sub>	t				
[mm]								[mm]					
315	26	53	-	-	56	33	-	-	-	5	-	6180	24580.0045
315	30	53	-	-	56	33	-	-	-	5	-	5800	24580.0046
400	30	65	-	-	63	38	-	-	-	5	-	9500	24580.0050
400	34	65	-	-	63	38	-	-	-	5	-	9500	24580.0051
<b>with hub keyway, without handle, form N-F/A (formerly: A 3) – picture 1</b>													
80	10	24	-	-	29	16	-	3	11.4	3	-	288	24580.0100
80	12	24	-	-	29	16	-	4	13.8	3	-	287	24580.0101
100	10	26	-	-	33	17	-	3	11.4	3	-	500	24580.0105
100	12	26	-	-	33	17	-	4	13.8	3	-	500	24580.0106
125	12	28	-	-	36	18	-	4	13.8	3	-	750	24580.0110
125	14	28	-	-	36	18	-	5	16.3	3	-	723	24580.0111
140	14	30	-	-	39	19	-	5	16.3	3	-	902	24580.0115
140	16	30	-	-	39	19	-	5	18.3	3	-	940	24580.0116
160	14	32	-	-	40	20	-	5	16.3	3	-	1139	24580.0120
160	16	32	-	-	40	20	-	5	18.3	3	-	1217	24580.0121
200	18	38	-	-	45	24	-	6	20.8	3	-	2142	24580.0130
200	22	38	-	-	45	24	-	6	24.8	3	-	1909	24580.0131
250	22	45	-	-	50	28	-	6	24.8	5	-	3652	24580.0140
250	26	45	-	-	50	28	-	8	29.3	5	-	3635	24580.0141
315	26	53	-	-	56	33	-	8	29.3	5	-	1157	24580.0145
315	30	53	-	-	56	33	-	8	33.3	5	-	5800	24580.0146
400	30	65	-	-	63	38	-	8	33.3	5	-	10650	24580.0150
400	34	65	-	-	63	38	-	10	37.3	5	-	11600	24580.0151
<b>without hub keyway, with rotating handle EH 24460., assembled form B-F/G (formerly D 4) – picture 2</b>													
80	10	24	M 6	16	29	16	49	-	-	3	16	410	24580.0200
80	12	24	M 6	16	29	16	49	-	-	3	16	410	24580.0201
100	10	26	M 6	16	33	17	49	-	-	3	16	550	24580.0205
100	12	26	M 6	16	33	17	49	-	-	3	16	550	24580.0206
125	12	28	M 8	20	36	18	61	-	-	3	20	850	24580.0210
125	14	28	M 8	20	36	18	61	-	-	3	20	850	24580.0211
140	14	30	M 8	20	39	19	61	-	-	3	20	1040	24580.0215
140	16	30	M 8	20	39	19	61	-	-	3	20	1040	24580.0216
160	14	32	M10	25	40	20	75	-	-	3	25	1390	24580.0220
160	16	32	M10	25	40	20	75	-	-	3	25	1390	24580.0221
200	18	38	M10	25	45	24	75	-	-	3	25	2190	24580.0230
200	22	38	M10	25	45	24	75	-	-	3	25	2190	24580.0231
250	22	45	M12	32	50	28	95	-	-	5	32	4185	24580.0240
250	26	45	M12	32	50	28	95	-	-	5	32	4185	24580.0241
315	26	53	M12	32	56	33	95	-	-	5	32	6185	24580.0245
315	30	53	M12	32	56	33	95	-	-	5	32	6185	24580.0246
400	30	65	M16	36	63	38	106	-	-	5	36	10500	24580.0250
400	34	65	M16	36	63	38	106	-	-	5	36	10500	24580.0251
<b>with hub keyway, with rotating handle EH 24460. assembled, form N-F/G (formerly: D 3) – picture 2</b>													
80	10	24	M 6	16	29	16	49	3	11.4	3	16	410	24580.0300
80	12	24	M 6	16	29	16	49	4	13.8	3	16	410	24580.0301
100	10	26	M 6	16	33	17	49	3	11.4	3	16	550	24580.0305
100	12	26	M 6	16	33	17	49	4	13.8	3	16	550	24580.0306
125	12	28	M 8	20	36	18	61	4	13.8	3	20	850	24580.0310
125	14	28	M 8	20	36	18	61	5	16.3	3	20	850	24580.0311
140	14	30	M 8	20	39	19	61	5	16.3	3	20	1040	24580.0315
140	16	30	M 8	20	39	19	61	5	18.3	3	20	1040	24580.0316
160	14	32	M10	25	40	20	75	5	16.3	3	25	1390	24580.0320
160	16	32	M10	25	40	20	75	5	18.3	3	25	1390	24580.0321
200	18	38	M10	25	45	24	75	6	20.8	3	25	2190	24580.0330
200	22	38	M10	25	45	24	75	6	24.8	3	25	2190	24580.0331
250	22	45	M12	32	50	28	95	6	24.8	5	32	4185	24580.0340
250	26	45	M12	32	50	28	95	8	29.3	5	32	4185	24580.0341

Dimensions								Hub keyway, DIN 6885 sheet 1		Number of spokes z	Corresponding machine handle DIN 39 / DIN 98		Art. No.
d <sub>1</sub>	d <sub>2</sub> H7	d <sub>3</sub>	d <sub>4</sub>	d <sub>5</sub>	l <sub>1</sub> ~	l <sub>2</sub>	l <sub>3</sub> ~	b <sub>3</sub>	t				
[mm]								[mm]					
315	26	53	M12	32	56	33	95	8	29.3	5	32	6185	24580.0345
315	30	53	M12	32	56	33	95	8	33.3	5	32	6185	24580.0346
400	30	65	M16	36	63	38	106	8	33.3	5	36	10500	24580.0350
400	34	65	M16	36	63	38	106	10	37.3	5	36	10500	24580.0351
<b>without hub keyway, with machine handle EH 24450., assembled, form B-F/G (formerly: F 4) – picture 2</b>													
80	10	24	M 6	16	29	16	50	–	–	3	16	410	24580.0400
80	12	24	M 6	16	29	16	50	–	–	3	16	410	24580.0401
100	10	26	M 6	16	33	17	50	–	–	3	16	550	24580.0405
100	12	26	M 6	16	33	17	50	–	–	3	16	550	24580.0406
125	12	28	M 8	20	36	18	64	–	–	3	20	835	24580.0410
125	14	28	M 8	20	36	18	64	–	–	3	20	835	24580.0411
140	14	30	M 8	20	39	19	64	–	–	3	20	1025	24580.0415
140	16	30	M 8	20	39	19	64	–	–	3	20	1025	24580.0416
160	14	32	M10	25	40	20	80	–	–	3	25	1380	24580.0420
160	16	32	M10	25	40	20	80	–	–	3	25	1380	24580.0421
200	18	38	M10	25	45	24	80	–	–	3	25	2180	24580.0430
200	22	38	M10	25	45	24	80	–	–	3	25	2180	24580.0431
250	22	45	M12	32	50	28	100	–	–	5	32	4160	24580.0440
250	26	45	M12	32	50	28	100	–	–	5	32	4160	24580.0441
315	26	53	M12	32	56	33	100	–	–	5	32	6160	24580.0445
315	30	53	M12	32	56	33	100	–	–	5	32	6160	24580.0446
400	30	65	M16	36	63	38	112	–	–	5	36	10460	24580.0450
400	34	65	M16	36	63	38	112	–	–	5	36	10460	24580.0451
<b>with hub keyway, with machine handle EH 24450. assembled, form N-F/G (formerly: F 3) – picture 2</b>													
80	10	24	M 6	16	29	16	50	3	11.4	3	16	410	24580.0500
80	12	24	M 6	16	29	16	50	4	13.8	3	16	410	24580.0501
100	10	26	M 6	16	33	17	50	3	11.4	3	16	550	24580.0505
100	12	26	M 6	16	33	17	50	4	13.8	3	16	550	24580.0506
125	12	28	M 8	20	36	18	64	4	13.8	3	20	835	24580.0510
125	14	28	M 8	20	36	18	64	5	16.3	3	20	835	24580.0511
140	14	30	M 8	20	39	19	64	5	16.3	3	20	1025	24580.0515
140	16	30	M 8	20	39	19	64	5	18.3	3	20	1025	24580.0516
160	14	32	M10	25	40	20	80	5	16.3	3	25	1380	24580.0520
160	16	32	M10	25	40	20	80	5	18.3	3	25	1380	24580.0521
200	18	38	M10	25	45	24	80	6	20.8	3	25	2180	24580.0530
200	22	38	M10	25	45	24	80	6	24.8	3	25	2180	24580.0531
250	22	45	M12	32	50	28	100	6	24.8	5	32	4160	24580.0540
250	26	45	M12	32	50	28	100	8	29.3	5	32	4160	24580.0541
315	26	53	M12	32	56	33	100	8	29.3	5	32	6160	24580.0545
315	30	53	M12	32	56	33	100	8	33.3	5	32	6160	24580.0546
400	30	65	M16	36	63	38	112	8	33.3	5	36	10460	24580.0550
400	34	65	M16	36	63	38	112	10	37.3	5	36	10460	24580.0551

Application example



Compliance

For detailed compliance information please select the desired article number.