

Ball Knobs • DIN 319

EH 24560.



Product Description

The DIN 319 ball knobs are jointless and polished.

Material

Bushing

- Steel, zinc-plated by galvanization
- Brass

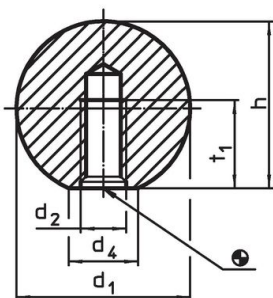
Ball

- DIN 7708 - thermosetting plastic (PF 31), black similar to RAL 9005
- DIN 7708 - thermosetting plastic (PF 31), red similar to RAL 3003

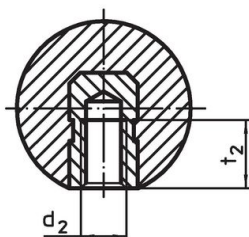
Assembly

Assembly instruction for form M: Fitted by lightly tapping with a hammer, holds in position without being cemented. For the counter element a h9-fit is sufficient.

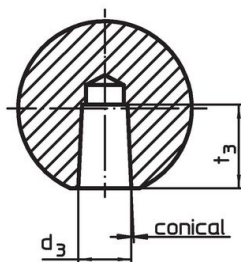
Drawing



picture 1



picture 2



picture 3

Order information

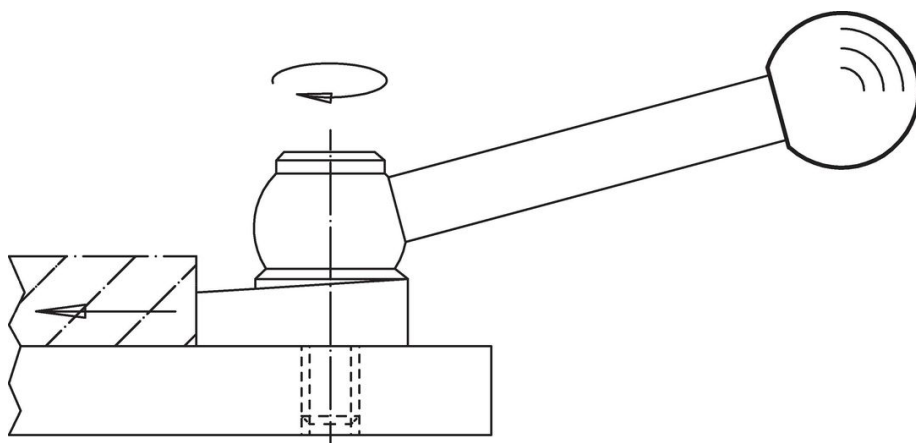
Dimensions								For pin h9	max.	[g]	Art. No.
d ₁	d ₂	d ₃	d ₄ ~	h ~	t ₁ min.	t ₂ min.	t ₃ min.				
with moulded material thread, form C – picture 1, black											
16	M 4	–	8	15.0	7	–	–	–	110	3.2	24560.0016
20	M 5	–	12	18.0	9	–	–	–	110	5.2	24560.0020
25	M 6	–	15	22.5	11	–	–	–	110	10.0	24560.0025
32	M 8	–	18	29.0	14	–	–	–	110	22.0	24560.0032
40	M10	–	22	37.0	18	–	–	–	110	42.0	24560.0040
50	M12	–	28	46.0	21	–	–	–	110	86.0	24560.0050
with threaded bushing, form E – picture 2, black											
16	M 4	–	8	15.0	–	6.0	–	–	110	3.9	24560.0116¹⁾
20	M 5	–	12	18.0	–	7.5	–	–	110	8.0	24560.0120
25	M 6	–	15	22.5	–	9.0	–	–	110	14.0	24560.0125
32	M 8	–	18	29.0	–	12.0	–	–	110	26.0	24560.0132
40	M10	–	22	37.0	–	15.0	–	–	110	56.0	24560.0140
50	M12	–	28	46.0	–	18.0	–	–	110	108.0	24560.0150
with moulded material thread, form C – picture 1, red											
16	M 4	–	8	15.0	7	–	–	–	110	3.2	24560.0516
20	M 5	–	12	18.0	9	–	–	–	110	5.2	24560.0520
25	M 6	–	15	22.5	11	–	–	–	110	10.0	24560.0525
32	M 8	–	18	29.0	14	–	–	–	110	22.0	24560.0532
40	M10	–	22	37.0	18	–	–	–	110	42.0	24560.0540
50	M12	–	28	46.0	21	–	–	–	110	86.0	24560.0550

¹⁾ bushing from brass

Dimensions								For pin h9	🌡️ max.	📦 [g]	Art. No.
d ₁	d ₂	d ₃	d ₄ ~	h ~ [mm]	t ₁ min.	t ₂ min.	t ₃ min.				
with threaded bushing, form E – picture 2, red											
16	M 4	–	8	15.0	–	6.0	–	–	110	3.9	24560.0616 ¹⁾
20	M 5	–	12	18.0	–	7.5	–	–	110	8.0	24560.0620
25	M 6	–	15	22.5	–	9.0	–	–	110	14.0	24560.0625
32	M 8	–	18	29.0	–	12.0	–	–	110	26.0	24560.0632
40	M10	–	22	37.0	–	15.0	–	–	110	56.0	24560.0640
50	M12	–	28	46.0	–	18.0	–	–	110	108.0	24560.0650
with taper bore form M – picture 3, black											
16	–	4	8	15.0	–	–	9	4	110	2.7	24560.0216
20	–	5	12	18.0	–	–	12	5	110	5.1	24560.0220
25	–	6	15	22.5	–	–	15	6	110	9.3	24560.0225
32	–	8	18	29.0	–	–	15	8	110	19.0	24560.0232
40	–	10	22	37.0	–	–	20	10	110	39.0	24560.0240
50	–	12	28	46.0	–	–	22	12	110	84.0	24560.0250

¹⁾ bushing from brass

Application example



Compliance

RoHS compliant

Compliant according to Directive 2011/65/EU and Directive 2015/863.

Does not contain SVHC substances

No SVHC substances with more than 0.1% w/w contained - SVHC list [REACH] as of 23.01.2024.

Does not contain Proposition 65 substances

No Proposition 65 substances included.

<https://www.P65Warnings.ca.gov/>

Free from Conflict Minerals

This product does not contain any substances designated as "conflict minerals" such as tantalum, tin, gold or tungsten from the Democratic Republic of Congo or adjacent countries.