

Mushroom-Type Knobs

EH 24540.



Product Description

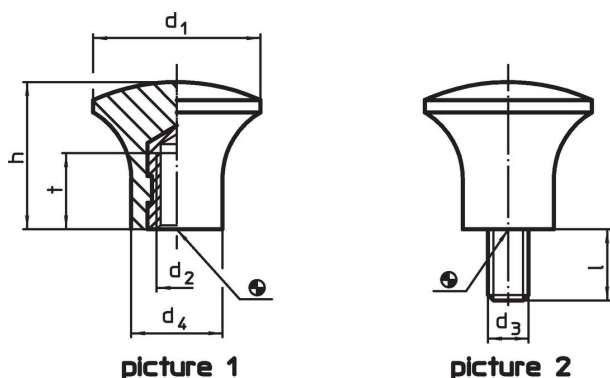
Material

Mushroom-type knob
• Thermosetting plastic PF 31, black

Bushing
• Brass

Screw
• Steel, zinc-plated by galvanization

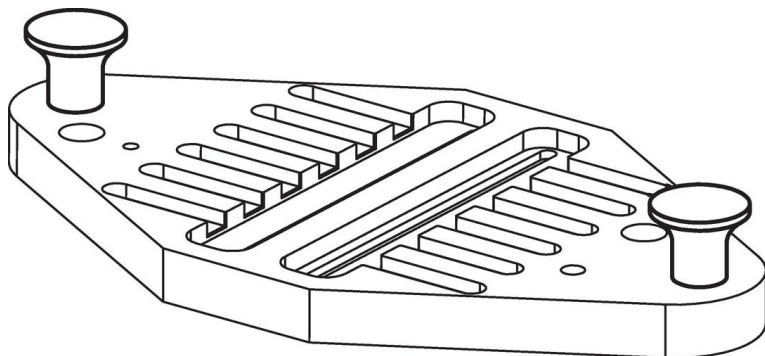
Drawing



Order information

Dimensions							max. [°C]	[g]	Art. No.
d ₁	d ₂	d ₃	l [mm]	d ₄	h	t			
with female thread – picture 1									
17	M5	–	–	10	14	7	110	3.8	24540.0017
21	M6	–	–	12	17	11	110	6.2	24540.0021
25	M6	–	–	14	21	11	110	11.0	24540.0025
33	M8	–	–	18	29	12	110	21.0	24540.0033
with screw – picture 2									
17	–	M5	9	10	14	–	110	4.2	24540.0117
21	–	M6	10	12	17	–	110	7.1	24540.0121
25	–	M6	10	14	21	–	110	10.0	24540.0125
33	–	M8	14	18	29	–	110	23.0	24540.0133

Application example



Compliance

RoHS compliant

Contains lead - compliant according to exceptions 6a / 6b / 6c.

Contains SVHC substances >0,1% w/w

Contains lead - SVHC list [REACH] as of 23.01.2024.

Contains Proposition 65 substances



Lead can cause cancer and reproductive harm from exposure
<https://www.P65Warnings.ca.gov/>

Free from Conflict Minerals

This product does not contain any substances designated as "conflict minerals" such as tantalum, tin, gold or tungsten from the Democratic Republic of Congo or adjacent countries.