

## Folding Handles • rotating

EH 24532.



### Product Description

#### Material

##### Axle part

- Steel, blackened
- Stainless steel 1.4305

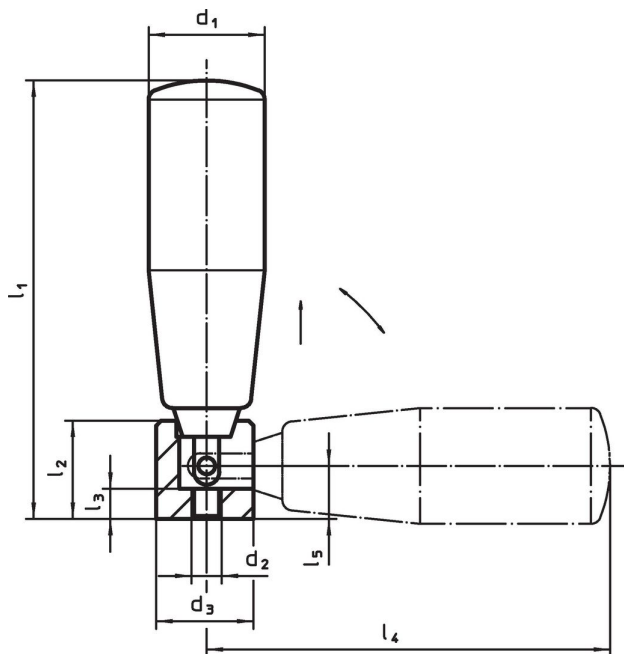
##### Handle

- Thermoplastic, black, dull

#### Operation

In the operating position the handle is locked. To move the handle to the rest position, it must be pulled out axially and flipped round.

### Drawing



### Order information

Dimensions									max. [°C]	[g]	Art. No.
d <sub>1</sub>	d <sub>2</sub>	d <sub>3</sub>	l <sub>1</sub>	l <sub>2</sub>	l <sub>3</sub>	l <sub>4</sub>	l <sub>5</sub>	[mm]			
<b>Steel</b>											
18	M5	16	57	15.0	5	52	9.5	110	53	<a href="#">24532.0018</a>	
21	M5	16	67	15.0	5	62	9.5	110	63	<a href="#">24532.0021</a>	
22	M5	16	73	15.0	5	68	9.5	110	67	<a href="#">24532.0022</a>	
23	M6	20	87	19.5	6	80	10.5	110	111	<a href="#">24532.0023</a>	
26	M6	20	102	19.5	6	95	10.5	110	137	<a href="#">24532.0026</a>	
28	M8	26	118	26.0	10	106	16.0	110	225	<a href="#">24532.0028</a>	
<b>Stainless steel</b>											
23	M6	20	87	19.5	6	80	10.5	110	111	<a href="#">24532.0123</a>	
26	M6	20	102	19.5	6	95	10.5	110	137	<a href="#">24532.0126</a>	
28	M8	26	118	26.0	10	106	16.0	110	225	<a href="#">24532.0128</a>	

### Compliance

For detailed compliance information please select the desired article number.