

Adjustable Flat Tension Levers • with screw

EH 24441.



Product Description

Adjustable flat tension levers are used when the swivel range is limited or a specific lever position is required.

Adjustable flat tension levers are characterised by their low construction height and are particularly suitable for use in restricted spaces or when the lever should not overhang..

Material

Lever

- Zinc die-cast, plastic coated, black, similar to RAL 9005, matt structure
- Zinc die-cast, plastic coated, silver, similar to RAL 9006, matt structure

Inner parts

- Steel, blackened

Screw

- Steel, blackened

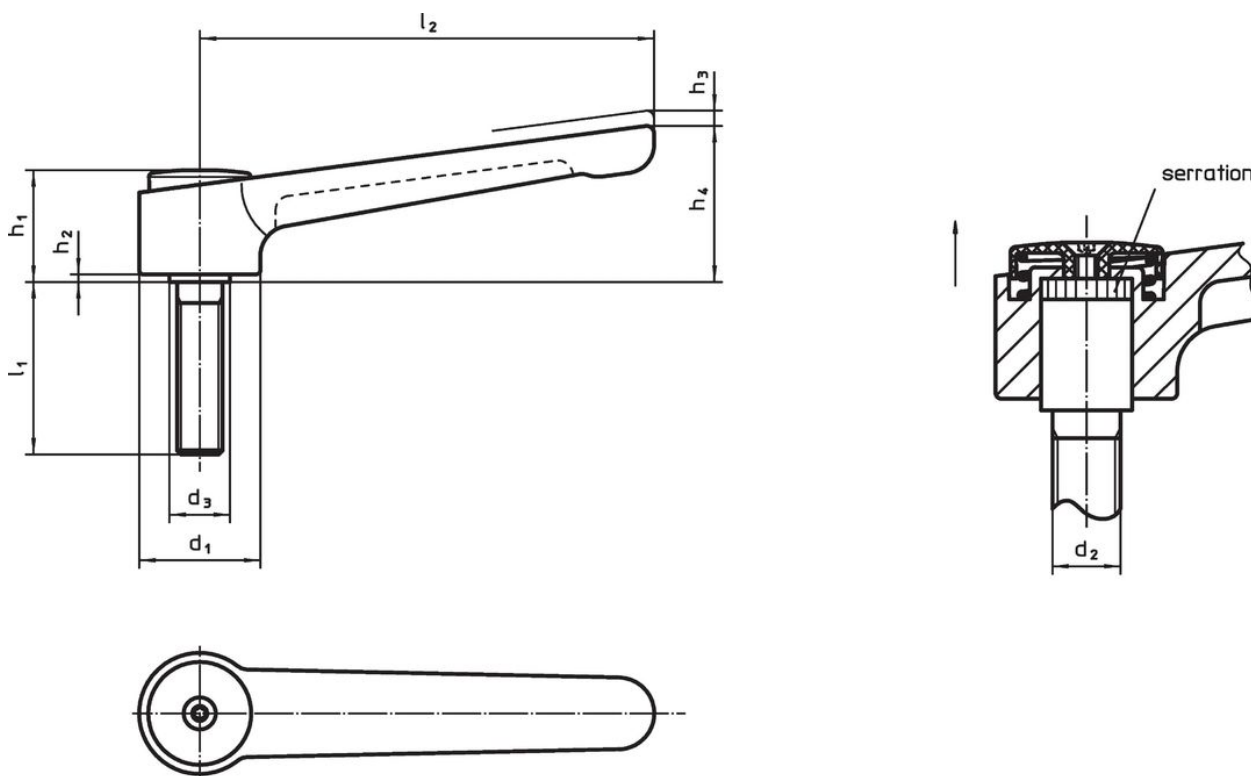
Covering

- Plastic, black
- Plastic, light grey

Operation



By lifting the lever the serrations are disengaged. The lever can be positioned by the serrations. On releasing the lever, the serrations are automatically re-engaged.

Drawing

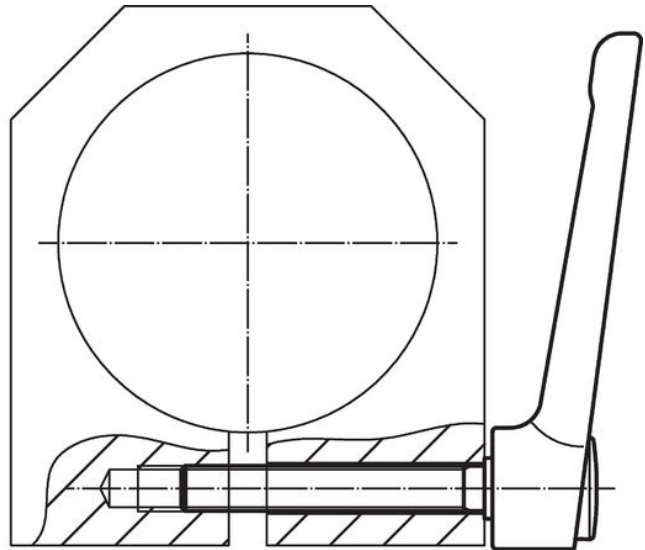
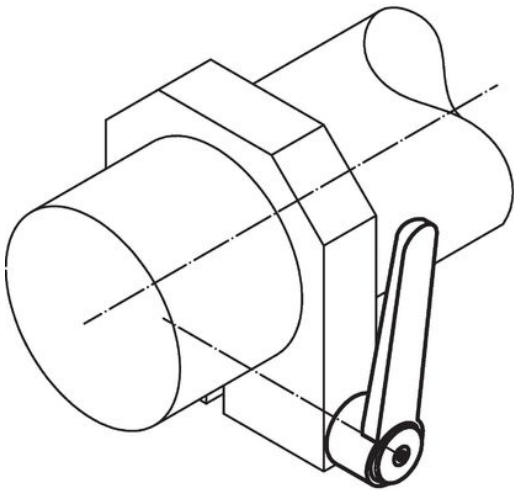


Order information

Dimensions										Temperature		Weight [g]	Art. No.	
d ₁	d ₂	l ₁	d ₃	h ₁	h ₂	h ₃	h ₄	l ₂	min.	max.	[°C]			
black														
32	M10	20	16	29.5	2	2.5	41.5	120	-30	80	209	24441.0450		
32	M10	25	16	29.5	2	2.5	41.5	120	-30	80	208	24441.0455		
32	M10	32	16	29.5	2	2.5	41.5	120	-30	80	207	24441.0460		
32	M10	40	16	29.5	2	2.5	41.5	120	-30	80	210	24441.0465		
32	M10	50	16	29.5	2	2.5	41.5	120	-30	80	220	24441.0470		

Dimensions									 min. max. [°C]		 [g]	Art. No.
d ₁	d ₂	l ₁	d ₃	h ₁ [mm]	h ₂	h ₃	h ₄	l ₂				
32	M10	63	16	29.5	2	2.5	41.5	120	-30	80	226	24441.0475
32	M10	80	16	29.5	2	2.5	41.5	120	-30	80	231	24441.0480
32	M12	20	16	29.5	2	2.5	41.5	120	-30	80	207	24441.0485
32	M12	25	16	29.5	2	2.5	41.5	120	-30	80	211	24441.0490
32	M12	32	16	29.5	2	2.5	41.5	120	-30	80	215	24441.0495
32	M12	40	16	29.5	2	2.5	41.5	120	-30	80	220	24441.0500
32	M12	50	16	29.5	2	2.5	41.5	120	-30	80	228	24441.0505
32	M12	63	16	29.5	2	2.5	41.5	120	-30	80	238	24441.0510
32	M12	80	16	29.5	2	2.5	41.5	120	-30	80	251	24441.0515
40	M12	32	23	42.0	4	4.0	56.0	145	-30	80	440	24441.0525
40	M12	40	23	42.0	4	4.0	56.0	145	-30	80	446	24441.0530
40	M12	50	23	42.0	4	4.0	56.0	145	-30	80	450	24441.0535
40	M12	63	23	42.0	4	4.0	56.0	145	-30	80	461	24441.0540
40	M12	80	23	42.0	4	4.0	56.0	145	-30	80	477	24441.0545
40	M16	32	23	42.0	4	4.0	56.0	145	-30	80	461	24441.0550
40	M16	40	23	42.0	4	4.0	56.0	145	-30	80	472	24441.0555
40	M16	50	23	42.0	4	4.0	56.0	145	-30	80	482	24441.0560
40	M16	63	23	42.0	4	4.0	56.0	145	-30	80	498	24441.0565
40	M16	80	23	42.0	4	4.0	56.0	145	-30	80	523	24441.0570
silver												
32	M10	20	16	29.5	2	2.5	41.5	120	-30	80	209	24441.0850
32	M10	25	16	29.5	2	2.5	41.5	120	-30	80	208	24441.0855
32	M10	32	16	29.5	2	2.5	41.5	120	-30	80	207	24441.0860
32	M10	40	16	29.5	2	2.5	41.5	120	-30	80	210	24441.0865
32	M10	50	16	29.5	2	2.5	41.5	120	-30	80	220	24441.0870
32	M10	63	16	29.5	2	2.5	41.5	120	-30	80	226	24441.0875
32	M10	80	16	29.5	2	2.5	41.5	120	-30	80	231	24441.0880
32	M12	20	16	29.5	2	2.5	41.5	120	-30	80	207	24441.0885
32	M12	25	16	29.5	2	2.5	41.5	120	-30	80	211	24441.0890
32	M12	32	16	29.5	2	2.5	41.5	120	-30	80	215	24441.0895
32	M12	40	16	29.5	2	2.5	41.5	120	-30	80	220	24441.0900
32	M12	50	16	29.5	2	2.5	41.5	120	-30	80	228	24441.0905
32	M12	63	16	29.5	2	2.5	41.5	120	-30	80	238	24441.0910
32	M12	80	16	29.5	2	2.5	41.5	120	-30	80	251	24441.0915
40	M12	32	23	42.0	4	4.0	56.0	145	-30	80	440	24441.0925
40	M12	40	23	42.0	4	4.0	56.0	145	-30	80	446	24441.0930
40	M12	50	23	42.0	4	4.0	56.0	145	-30	80	450	24441.0935
40	M12	63	23	42.0	4	4.0	56.0	145	-30	80	461	24441.0940
40	M12	80	23	42.0	4	4.0	56.0	145	-30	80	477	24441.0945
40	M16	32	23	42.0	4	4.0	56.0	145	-30	80	461	24441.0950
40	M16	40	23	42.0	4	4.0	56.0	145	-30	80	472	24441.0955
40	M16	50	23	42.0	4	4.0	56.0	145	-30	80	482	24441.0960
40	M16	63	23	42.0	4	4.0	56.0	145	-30	80	498	24441.0965
40	M16	80	23	42.0	4	4.0	56.0	145	-30	80	523	24441.0970

Application example



Compliance

RoHS compliant

Contains lead - compliant according to exceptions 6a / 6b / 6c.

Contains SVHC substances >0,1% w/w

Contains lead - SVHC list [REACH] as of 27.06.2024.

Contains Proposition 65 substances



Lead can cause cancer and reproductive harm from exposure
<https://www.P65Warnings.ca.gov/>

Free from Conflict Minerals

This product does not contain any substances designated as "conflict minerals" such as tantalum, tin, gold or tungsten from the Democratic Republic of Congo or adjacent countries.