

Adjustable Flat Tension Levers

EH 24441.



Product Description

Adjustable flat tension levers are used when the swivel range is limited or a specific lever position is required.

Adjustable flat tension levers are characterised by their low construction height and are particularly suitable for use in restricted spaces or when the lever should not overhang..

Material

Lever

- Zinc die-cast, plastic coated, black, similar to RAL 9005, matt structure
- Zinc die-cast, plastic coated, silver, similar to RAL 9006, matt structure

Inner parts

- Steel, blackened

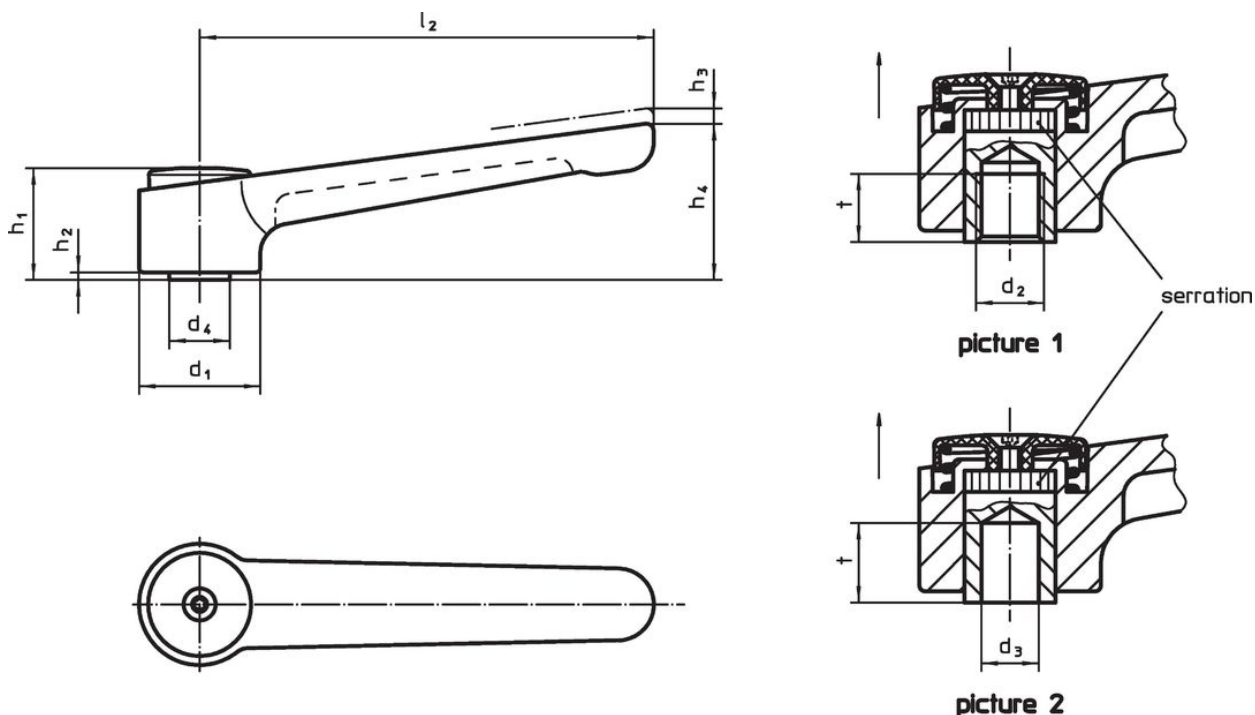
Covering

- Plastic, black
- Plastic, light grey

Operation

By lifting the lever the serrations are disengaged. The lever can be positioned by the serrations. On releasing the lever, the serrations are automatically re-engaged.

Drawing

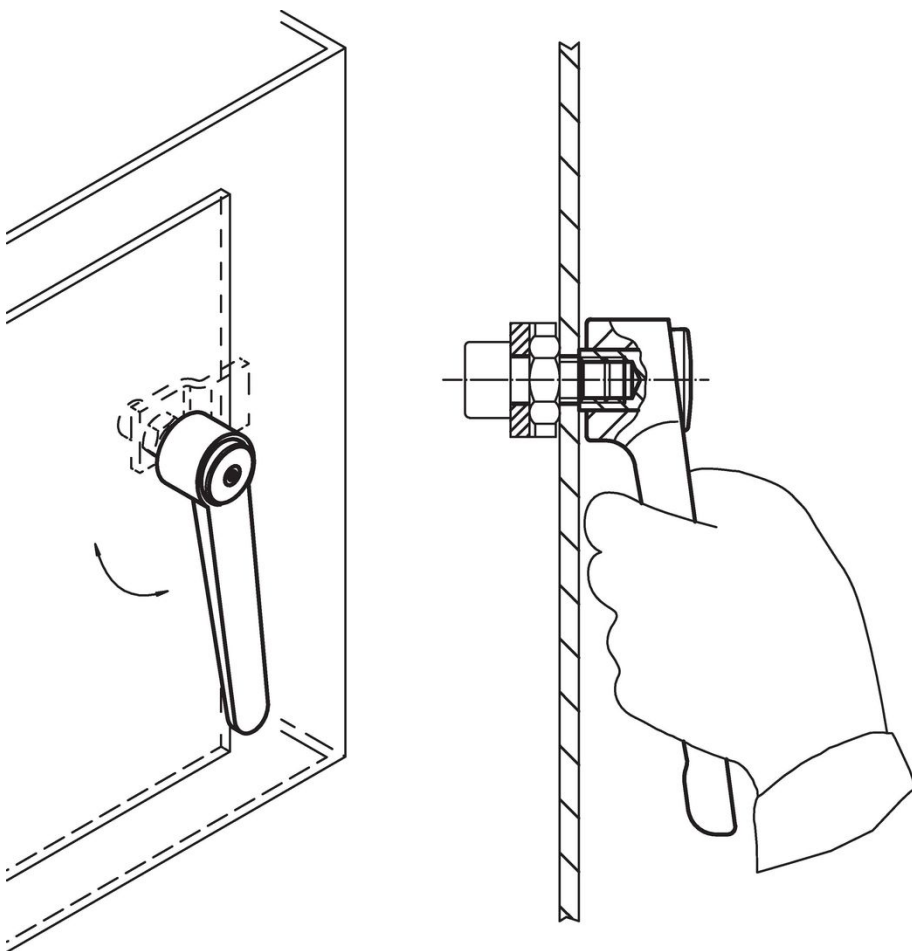


Order information

Dimensions										Temperature		Weight	Art. No.
d ₁	d ₂	d ₃ H7	d ₄	h ₁	h ₂	h ₃	h ₄	l ₂	t min.	min.	max.	[g]	
[mm]										[°C]			
with female thread – picture 1, black													
32	M 8	–	16	29.5	2	2.5	41.5	120	14	-30	80	186	24441.0005
32	M10	–	16	29.5	2	2.5	41.5	120	14	-30	80	183	24441.0010
32	M12	–	16	29.5	2	2.5	41.5	120	14	-30	80	182	24441.0015
40	M12	–	23	42.0	4	4.0	56.0	145	22	-30	80	399	24441.0020
40	M16	–	23	42.0	4	4.0	56.0	145	22	-30	80	384	24441.0025

d ₁	d ₂	d ₃ H7	d ₄	Dimensions						l ₂	t min.	min. max.		[g]	Art. No.
				h ₁	h ₂	h ₃	h ₄	[mm]				[°C]			
with female thread – picture 1, silver															
32	M 8	–	16	29.5	2	2.5	41.5	120	14	14	-30	80	186	24441.0105	
32	M10	–	16	29.5	2	2.5	41.5	120	14	14	-30	80	183	24441.0110	
32	M12	–	16	29.5	2	2.5	41.5	120	14	14	-30	80	182	24441.0115	
40	M12	–	23	42.0	4	4.0	56.0	145	22	22	-30	80	399	24441.0120	
40	M16	–	23	42.0	4	4.0	56.0	145	22	22	-30	80	384	24441.0125	
with smooth bore – picture 2, black															
32	–	8	16	29.5	2	2.5	41.5	120	14	14	-30	80	188	24441.0050	
32	–	10	16	29.5	2	2.5	41.5	120	14	14	-30	80	185	24441.0055	
40	–	12	23	42.0	4	4.0	56.0	145	22	22	-30	80	394	24441.0060	
40	–	16	23	42.0	4	4.0	56.0	145	22	22	-30	80	373	24441.0065	
with smooth bore – picture 2, silver															
32	–	8	16	29.5	2	2.5	41.5	120	14	14	-30	80	188	24441.0150	
32	–	10	16	29.5	2	2.5	41.5	120	14	14	-30	80	185	24441.0155	
40	–	12	23	42.0	4	4.0	56.0	145	22	22	-30	80	394	24441.0160	
40	–	16	23	42.0	4	4.0	56.0	145	22	22	-30	80	373	24441.0165	

Application example



Compliance

RoHS compliant

Contains lead - compliant according to exceptions 6a / 6b / 6c.

Contains SVHC substances >0,1% w/w

Contains lead - SVHC list [REACH] as of 27.06.2024.

Contains Proposition 65 substances



Lead can cause cancer and reproductive harm from exposure

<https://www.P65Warnings.ca.gov/>

Free from Conflict Minerals

This product does not contain any substances designated as "conflict minerals" such as tantalum, tin, gold or tungsten from the Democratic Republic of Congo or adjacent countries.