

Adjustable Clamping Levers · with female thread

EH 24400.



Product Description

Adjustable clamping levers find versatile applications when the area of use is confined or a specific lever position is required.

Material

Lever

- Zinc die-cast, plastic coated, orange similar to RAL 2004, matt structure
- Zinc die-cast, plastic coated, silver, similar to RAL 9006, matt structure
- Zinc die-cast, plastic coated, black, similar to RAL 9005, matt structure

Threaded part

- Steel, blackened, quality 5

Inner parts

- Steel, blackened, quality 5.8

Operation

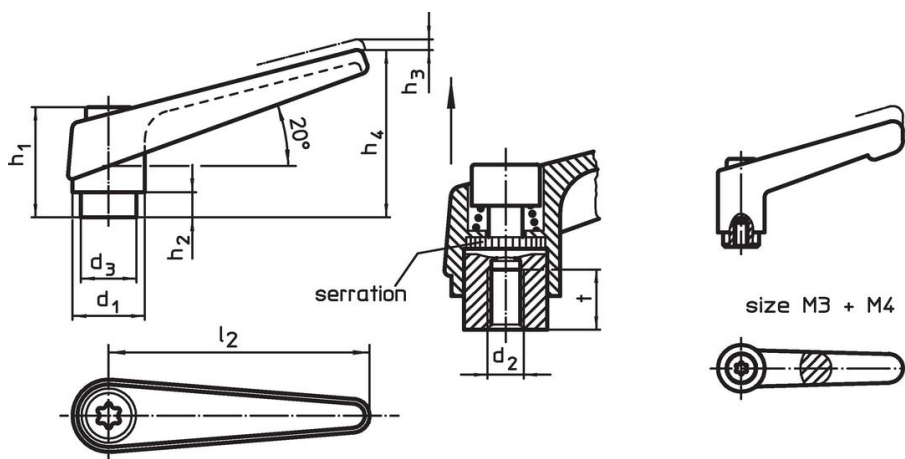
By lifting the lever the serrations are disengaged. The lever can be positioned by the serrations. On releasing the lever, the serrations are automatically re-engaged.

More information

Notes

The threaded portion can be exchanged.

Drawing

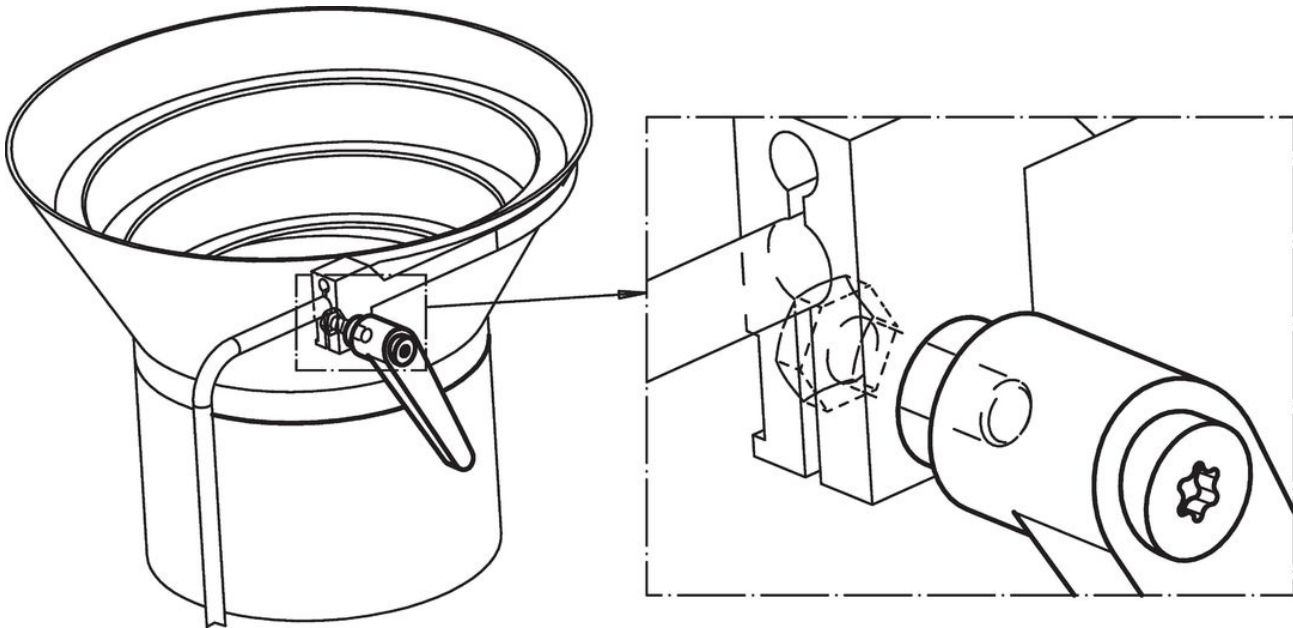


Order information

d ₁	d ₂	d ₃	Dimensions							[g]	Art. No.
			h ₁	h ₂	h ₃	h ₄	l ₂	t			
[mm]											
orange											
13	M 3	10.0	24.5	4.0	3.5	30.5	30	7	26	24400.0032	
13	M 4	10.0	24.5	4.0	3.5	30.5	30	9	25	24400.0036	
14	M 5	10.0	24.5	4.0	3.0	35.0	45	8	33	24400.0111	
14	M 6	10.0	24.5	4.0	3.0	35.0	45	8	33	24400.0121	
18	M 6	13.5	31.0	6.5	3.0	45.0	62	10	67	24400.0311	
18	M 8	13.5	31.0	6.5	3.0	45.0	62	10	71	24400.0321	
22	M 8	16.0	36.0	8.0	3.5	52.0	74	14	112	24400.0411	
22	M10	16.0	36.0	8.0	3.5	52.0	74	14	109	24400.0421	
25	M10	19.0	43.0	11.0	4.0	63.0	89	17	176	24400.0511	
25	M12	19.0	43.0	11.0	4.0	63.0	89	17	171	24400.0521	
30	M12	23.0	50.5	12.0	5.0	76.0	108	22	286	24400.0611	
30	M16	23.0	50.5	12.0	5.0	76.0	108	22	269	24400.0621	
silver											
14	M 5	10.0	24.5	4.0	3.0	35.0	45	8	33	24400.0113	
14	M 6	10.0	24.5	4.0	3.0	35.0	45	8	33	24400.0123	
18	M 6	13.5	31.0	6.5	3.0	45.0	62	10	67	24400.0313	
18	M 8	13.5	31.0	6.5	3.0	45.0	62	10	71	24400.0323	
22	M 8	16.0	36.0	8.0	3.5	52.0	74	14	112	24400.0413	

d ₁	d ₂	d ₃	Dimensions						l ₂	t ≥	[g]	Art. No.
			h ₁	h ₂	h ₃	h ₄	[mm]					
22	M10	16.0	36.0	8.0	3.5	52.0	74	14	109	24400.0423		
25	M10	19.0	43.0	11.0	4.0	63.0	89	17	176	24400.0513		
25	M12	19.0	43.0	11.0	4.0	63.0	89	17	171	24400.0523		
30	M12	23.0	50.5	12.0	5.0	76.0	108	22	286	24400.0613		
30	M16	23.0	50.5	12.0	5.0	76.0	108	22	269	24400.0623		
black												
13	M 3	10.0	24.5	4.0	3.5	30.5	30	7	26	24400.0034		
13	M 4	10.0	24.5	4.0	3.5	30.5	30	9	25	24400.0038		
14	M 5	10.0	24.5	4.0	3.0	35.0	45	8	33	24400.0114		
14	M 6	10.0	24.5	4.0	3.0	35.0	45	8	33	24400.0124		
18	M 6	13.5	31.0	6.5	3.0	45.0	62	10	67	24400.0314		
18	M 8	13.5	31.0	6.5	3.0	45.0	62	10	71	24400.0324		
22	M 8	16.0	36.0	8.0	3.5	52.0	74	14	112	24400.0414		
22	M10	16.0	36.0	8.0	3.5	52.0	74	14	109	24400.0424		
25	M10	19.0	43.0	11.0	4.0	63.0	89	17	176	24400.0514		
25	M12	19.0	43.0	11.0	4.0	63.0	89	17	171	24400.0524		
30	M12	23.0	50.5	12.0	5.0	76.0	108	22	286	24400.0614		
30	M16	23.0	50.5	12.0	5.0	76.0	108	22	269	24400.0624		

Application example



Compliance

RoHS compliant

Contains lead - compliant according to exceptions 6a / 6b / 6c.

Contains SVHC substances >0,1% w/w

Contains lead - SVHC list [REACH] as of 27.06.2024.

Contains Proposition 65 substances



Lead can cause cancer and reproductive harm from exposure
<https://www.P65Warnings.ca.gov/>

Free from Conflict Minerals

This product does not contain any substances designated as "conflict minerals" such as tantalum, tin, gold or tungsten from the Democratic Republic of Congo or adjacent countries.