

Gear Lever Handles

EH 24350.



Product Description

Material

Gear lever handle

- Steel, zinc-plated by galvanization, passivated
- Stainless steel 1.4305, dull blasted

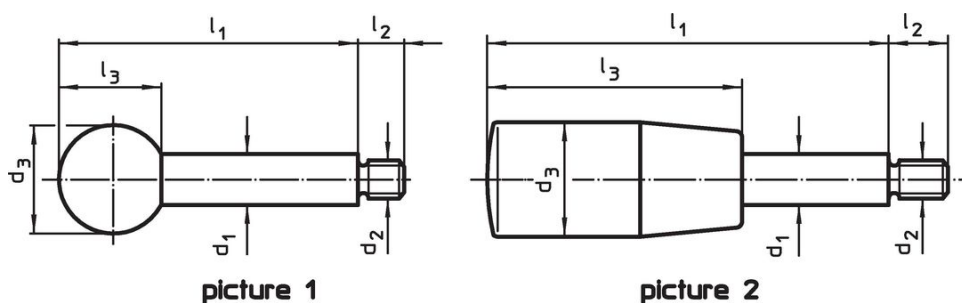
Ball knob

- Thermosetting plastic PF 31, black, DIN 319

Cylindrical handle

- Thermosetting plastic PF 31, black

Drawing

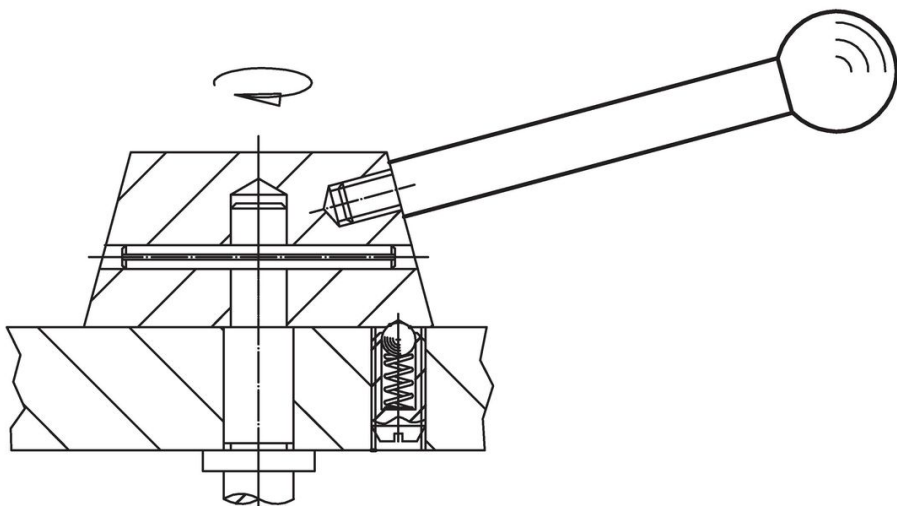


Order information

Dimensions						max. [°C]	[g]	Art. No.
d ₁	l ₁	d ₂	d ₃	l ₂	l ₃			
with spherical knob – picture 1, Steel								
8	63	M 6	20	9	18.0	110	30	24350.0020
8	80	M 6	20	9	18.0	110	34	24350.0022
8	100	M 6	20	9	18.0	110	39	24350.0024
10	80	M 8	25	11	22.5	110	50	24350.0030
10	100	M 8	25	11	22.5	110	62	24350.0032
10	125	M 8	25	11	22.5	110	76	24350.0034
12	100	M10	32	14	29.0	110	96	24350.0040
12	125	M10	32	14	29.0	110	118	24350.0042
12	160	M10	32	14	29.0	110	149	24350.0044
14	125	M12	35	16	32.5	110	157	24350.0050
14	160	M12	35	16	32.5	110	203	24350.0052
14	200	M12	35	16	32.5	110	251	24350.0054
16	160	M14	40	18	37.0	110	310	24350.0060
16	200	M14	40	18	37.0	110	326	24350.0062
16	250	M14	40	18	37.0	110	397	24350.0064
with cylindrical handle – picture 2, Steel								
8	63	M 6	18	9	40.0	110	26	24350.0120
8	80	M 6	18	9	40.0	110	33	24350.0122
8	100	M 6	18	9	40.0	110	42	24350.0124
10	80	M 8	21	11	50.0	110	50	24350.0130
10	100	M 8	21	11	50.0	110	62	24350.0132
10	125	M 8	21	11	50.0	110	78	24350.0134
12	100	M10	23	14	65.0	110	81	24350.0140
12	125	M10	23	14	65.0	110	103	24350.0142
12	160	M10	23	14	65.0	110	133	24350.0144
14	125	M12	26	16	80.0	110	125	24350.0150
14	160	M12	26	16	80.0	110	168	24350.0152

Dimensions						max. [°C]	[g]	Art. No.
d ₁	l ₁	d ₂ [mm]	d ₃	l ₂	l ₃			
14	200	M12	26	16	80.0	110	216	24350.0154
16	160	M14	28	18	90.0	110	214	24350.0160
16	200	M14	28	18	90.0	110	273	24350.0162
16	250	M14	28	18	90.0	110	352	24350.0164
with spherical knob – picture 1, Stainless steel								
8	63	M 6	20	9	18.0	110	30	24350.0520
8	80	M 6	20	9	18.0	110	34	24350.0522
8	100	M 6	20	9	18.0	110	39	24350.0524
10	80	M 8	25	11	22.5	110	50	24350.0530
10	100	M 8	25	11	22.5	110	62	24350.0532
10	125	M 8	25	11	22.5	110	76	24350.0534
12	100	M10	32	14	29.0	110	96	24350.0540
12	125	M10	32	14	29.0	110	118	24350.0542
12	160	M10	32	14	29.0	110	149	24350.0544
14	125	M12	35	16	32.5	110	157	24350.0550
14	160	M12	35	16	32.5	110	203	24350.0552
14	200	M12	35	16	32.5	110	251	24350.0554
with cylindrical handle – picture 2, Stainless steel								
8	63	M 6	18	9	40.0	110	26	24350.0620
8	80	M 6	18	9	40.0	110	33	24350.0622
8	100	M 6	18	9	40.0	110	42	24350.0624
10	80	M 8	21	11	50.0	110	50	24350.0630
10	100	M 8	21	11	50.0	110	62	24350.0632
10	125	M 8	21	11	50.0	110	78	24350.0634
12	100	M10	23	14	65.0	110	81	24350.0640
12	125	M10	23	14	65.0	110	103	24350.0642
12	160	M10	23	14	65.0	110	133	24350.0644
14	125	M12	26	16	80.0	110	125	24350.0650
14	160	M12	26	16	80.0	110	168	24350.0652
14	200	M12	26	16	80.0	110	216	24350.0654

Application example



Compliance

For detailed compliance information please select the desired article number.