

Crank Handles · with folding handle

EH 24331.



Product Description

Material

Axle part

- Steel, blackened

Handle

- Thermoplastic, black, dull

Handle body

- Aluminium, plastic coated, similar to RAL 9006 silver, structural matt
- Aluminium, plastic coated, similar to RAL 9005 black, matt structure

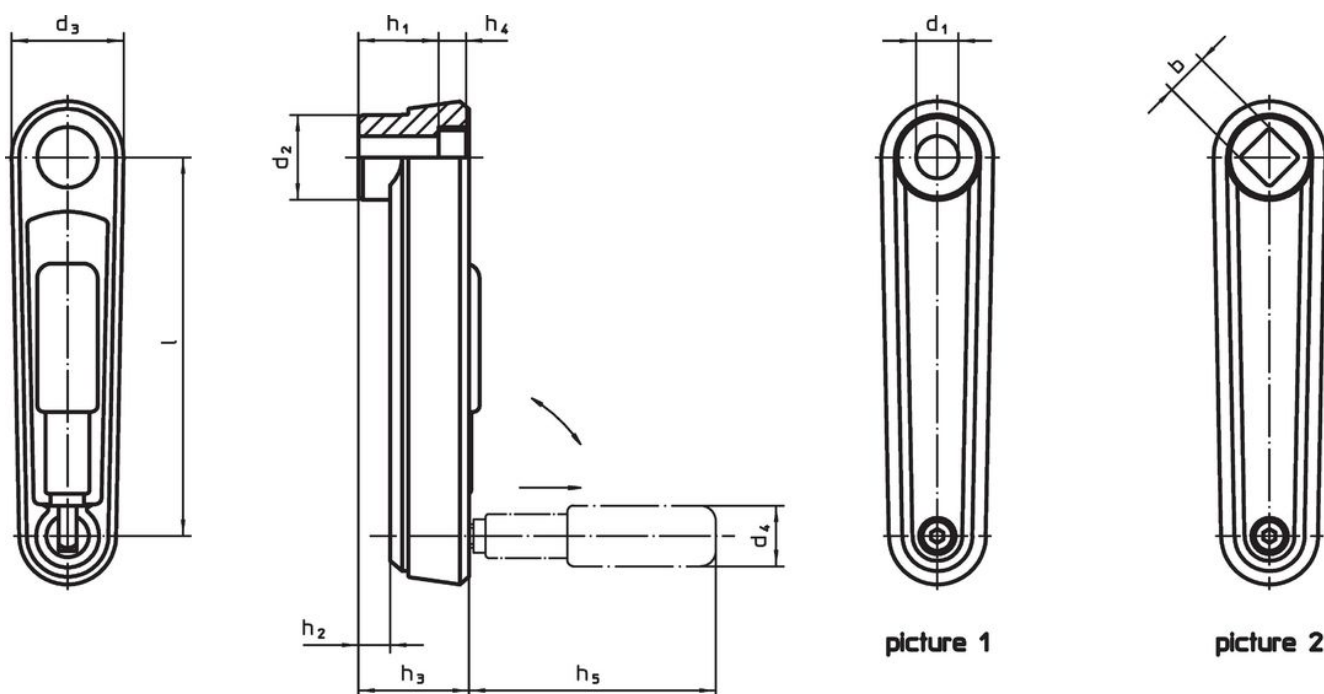
Covering

- Plastic, light grey

Operation

In the operating position the handle is locked. To move the handle to the rest position, it must be pulled out axially and flipped round.

Drawing



Order information

| l | d ₁ H7 | b H11 | Dimensions | | | | | | | d ₄ Cylindrical handle Ø | [g] | Art. No. |
|--|----------------------|----------|----------------|----------------|----------------|-----------------------------|----------------|----------------|----------------|--|-----|------------|
| | | | d ₂ | d ₃ | h ₁ | h ₂ ~ [mm] | h ₃ | h ₄ | h ₅ | | | |
| with smooth bore – picture 1, silver | | | | | | | | | | | | |
| 80 | 10 | – | 23.0 | 30 | 19.5 | 4.0 | 25.5 | 4.3 | 43.0 | 16 | 116 | 24331.0005 |
| 100 | 12 | – | 26.7 | 35 | 23.5 | 5.5 | 29.5 | 4.2 | 57.5 | 18 | 172 | 24331.0010 |
| 125 | 14 | – | 28.0 | 37 | 30.5 | 10.5 | 36.5 | 4.2 | 76.5 | 24 | 261 | 24331.0015 |
| with smooth bore – picture 1, black | | | | | | | | | | | | |
| 80 | 10 | – | 23.0 | 30 | 19.5 | 4.0 | 25.5 | 4.3 | 43.0 | 16 | 116 | 24331.0105 |
| 100 | 12 | – | 26.7 | 35 | 23.5 | 5.5 | 29.5 | 4.2 | 57.5 | 18 | 172 | 24331.0110 |
| 125 | 14 | – | 28.0 | 37 | 30.5 | 10.5 | 36.5 | 4.2 | 76.5 | 24 | 261 | 24331.0115 |
| with square shaft – picture 2, silver | | | | | | | | | | | | |
| 80 | – | 10 | 23.0 | 30 | 19.5 | 4.0 | 25.5 | 4.3 | 43.0 | 16 | 115 | 24331.0205 |
| 100 | – | 12 | 26.7 | 35 | 23.5 | 5.5 | 29.5 | 4.2 | 57.5 | 18 | 170 | 24331.0210 |
| 125 | – | 14 | 28.0 | 37 | 30.5 | 10.5 | 36.5 | 4.2 | 76.5 | 24 | 256 | 24331.0215 |

| l | d ₁ | b | d ₂ | d ₃ | h ₁ | Dimensions | | | | | d ₄ Cylindrical handle Ø |  [g] | Art. No. |
|---|----------------|-----|----------------|----------------|----------------|----------------|----------------|----------------|----------------|-----------|--|--|----------|
| | H7 | H11 | | | | h ₂ | h ₃ | h ₄ | h ₅ | ~ [mm] | | | |
| with square shaft – picture 2, black | | | | | | | | | | | | | |
| 80 | – | 10 | 23.0 | 30 | 19.5 | 4.0 | 25.5 | 4.3 | 43.0 | 16 | 115 | 24331.0305 | |
| 100 | – | 12 | 26.7 | 35 | 23.5 | 5.5 | 29.5 | 4.2 | 57.5 | 18 | 170 | 24331.0310 | |
| 125 | – | 14 | 28.0 | 37 | 30.5 | 10.5 | 36.5 | 4.2 | 76.5 | 24 | 256 | 24331.0315 | |

Compliance

For detailed compliance information please select the desired article number.