

U-Handles · plastic
EH 24320.



Product Description

U-handles are used, for example, on machine doors, furniture doors, cabinet doors, drawers and drawer units.

These U-handles made of glass fibre reinforced plastic are characterised by their ergonomic and stable construction and their simple and timeless design.

Material

Bushing
• Brass

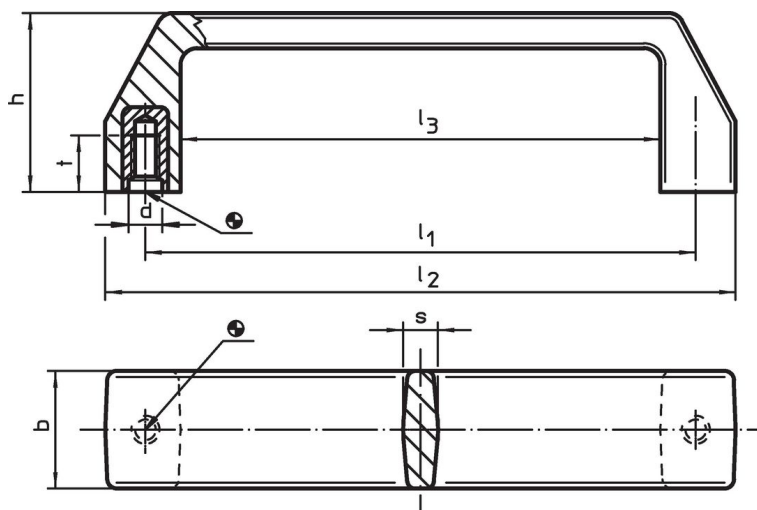
Handle

• Thermoplastic PA, glass-fibre reinforced, black

Assembly

Back mount handle.

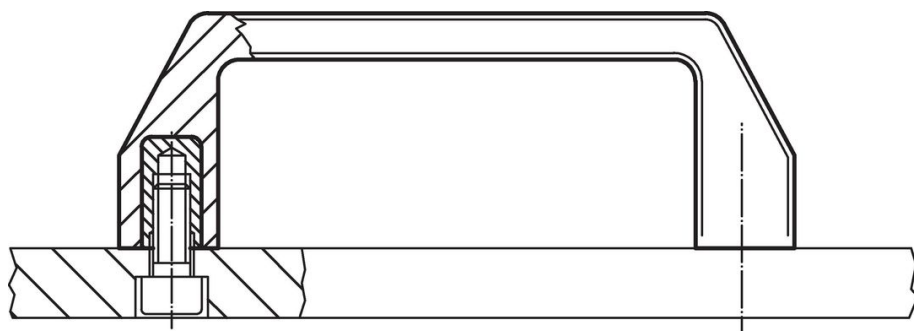
Drawing



Order information

Dimensions								max. [°C]	[g]	Art. No.
l_1 ± 0.5	d	b	h	l_2	l_3	s	t			
[mm]										
93.5	M6	21	36	107	79	6.0	10	100	31	24320.0210
117.0	M6	25	38	134	102	7.5	12	100	54	24320.0220
117.0	M8	25	38	134	102	7.5	12	100	50	24320.0230
132.0	M8	26	45	150	116	8.0	13	100	59	24320.0240

Application example



Compliance

For detailed compliance information please select the desired article number.