

U-Handles · with support washer

EH 24310.



Product Description

U-handles are used, for example, on machine doors, furniture doors, cabinet doors, drawers and drawer units.

These rounded U-handles are characterised by their ergonomic and stable construction and their simple and timeless design.

Material

Handle

- Steel, chromium-plated
- Steel, plastic coated, black
- Stainless steel 1.4305, dull blasted

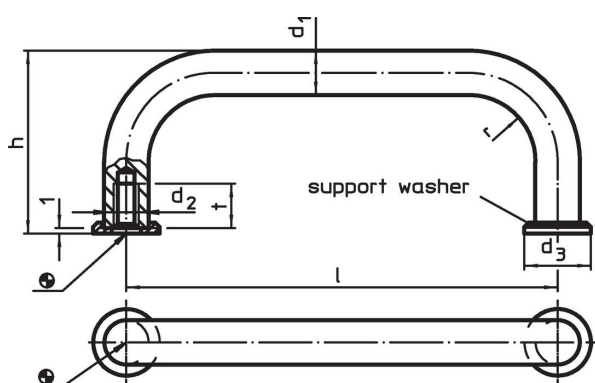
Support washer

- Zinc die-cast, nickel-plated
- Stainless steel

Assembly


The supporting washer provides a good bearing surface. Suitable washers are joined in loose form.

Drawing



Order information

d ₁	l ±0.5	d ₂	Dimensions				t min.	[g]	Art. No.
			d ₃	h	r	[mm]			
Steel, chromium-plated									
8	55	M4	12	35	10	8	41	24310.0010	
8	64	M4	12	35	10	8	44	24310.0020	
8	88	M4	12	35	10	8	54	24310.0030	
8	96	M4	12	35	10	8	57	24310.0040	
8	100	M4	12	35	10	8	60	24310.0050	
8	120	M4	12	35	10	8	66	24310.0060	
8	128	M4	12	35	10	8	69	24310.0110	
10	88	M5	15	43	12	12	91	24310.0120	
10	100	M5	15	43	12	12	98	24310.0130	
10	120	M5	15	43	12	12	109	24310.0140	
10	180	M5	15	43	12	12	146	24310.0150	
10	200	M5	15	43	12	12	161	24310.0160	
10	235	M5	15	43	12	12	183	24310.0170	
Steel, plastic coated, black									
6	32	M3	9	26	7	7	20	24310.0205	
6	45	M3	9	26	7	7	21	24310.0215	
6	55	M3	9	26	7	7	22	24310.0225	
6	64	M3	9	26	7	7	24	24310.0235	
6	88	M3	9	26	7	7	29	24310.0245	
8	55	M4	12	35	10	8	41	24310.0310	
8	64	M4	12	35	10	8	44	24310.0320	
8	88	M4	12	35	10	8	54	24310.0330	
8	96	M4	12	35	10	8	57	24310.0340	

d ₁	l ±0.5	d ₂	Dimensions				t min.	 [g]	Art. No.
			d ₃	h	r	[mm]			
8	100	M4	12	35	10	8	60	24310.0350	
8	120	M4	12	35	10	8	66	24310.0360	
8	128	M4	12	35	10	8	69	24310.0410	
10	88	M5	15	43	12	12	91	24310.0420	
10	100	M5	15	43	12	12	98	24310.0430	
10	120	M5	15	43	12	12	109	24310.0440	
10	180	M5	15	43	12	12	146	24310.0450	
10	200	M5	15	43	12	12	161	24310.0460	
10	235	M5	15	43	12	12	183	24310.0470	
Stainless steel 1.4305									
6	32	M3	9	26	7	7	20	24310.0210	
6	45	M3	9	26	7	7	21	24310.0220	
6	55	M3	9	26	7	7	22	24310.0230	
6	64	M3	9	26	7	7	24	24310.0240	
6	88	M3	9	26	7	7	29	24310.0250	
8	55	M4	12	35	10	8	41	24310.0510	
8	64	M4	12	35	10	8	44	24310.0520	
8	88	M4	12	35	10	8	54	24310.0530	
8	96	M4	12	35	10	8	57	24310.0540	
8	100	M4	12	35	10	8	60	24310.0550	
8	120	M4	12	35	10	8	66	24310.0560	
8	128	M4	12	35	10	8	69	24310.0610	
10	88	M5	15	43	12	12	91	24310.0620	
10	100	M5	15	43	12	12	98	24310.0630	
10	120	M5	15	43	12	12	109	24310.0640	
10	180	M5	15	43	12	12	146	24310.0650	
10	200	M5	15	43	12	12	161	24310.0660	
10	235	M5	15	43	12	12	183	24310.0670	

Compliance

For detailed compliance information please select the desired article number.