

U-Handles • diagonal

EH 24300.



Product Description

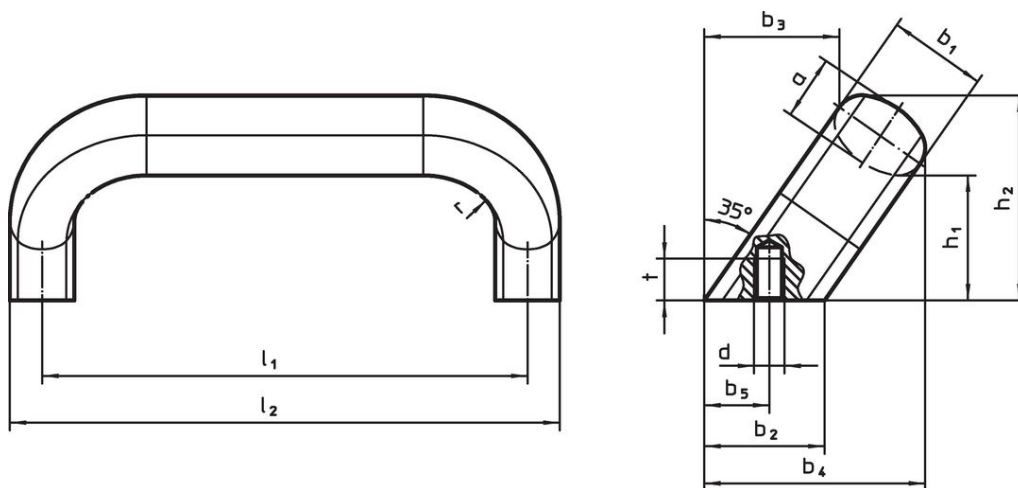
U-handles are used, for example, on machine doors, furniture doors, cabinet doors, drawers and drawer units.

Material

Handle

- Stainless steel 1.4301, dull blasted

Drawing



Order information

b_1	l_1 ± 0.25	l_2	a	b_2	b_3	Dimensions							[g]	Art. No.	
						b_4	b_5 +1	d	h_1	h_2	r	t			
[mm]															
20	112	125	13	24	32	50	13.5	M6	32	48	13	10	301	24300.0805	
20	128	141	13	24	32	50	13.5	M6	32	48	13	10	325	24300.0810	
26	128	145	17	32	34	57	18.0	M8	34	54	17	12	550	24300.0815	
26	160	177	17	32	34	57	18.0	M8	34	54	17	12	631	24300.0820	

Compliance

RoHS compliant

Compliant according to Directive 2011/65/EU and Directive 2015/863.

Does not contain SVHC substances

No SVHC substances with more than 0.1% w/w contained - SVHC list [REACH] as of 23.01.2024.

Does not contain Proposition 65 substances

No Proposition 65 substances included.

<https://www.P65Warnings.ca.gov/>

Free from Conflict Minerals

This product does not contain any substances designated as "conflict minerals" such as tantalum, tin, gold or tungsten from the Democratic Republic of Congo or adjacent countries.