

U-Handles

EH 24300.



Product Description

U-handles are used, for example, on machine doors, furniture doors, cabinet doors, drawers and drawer units.

These U-handles are characterised by their ergonomic profile design with very high stability and their simple and timeless design.

Material

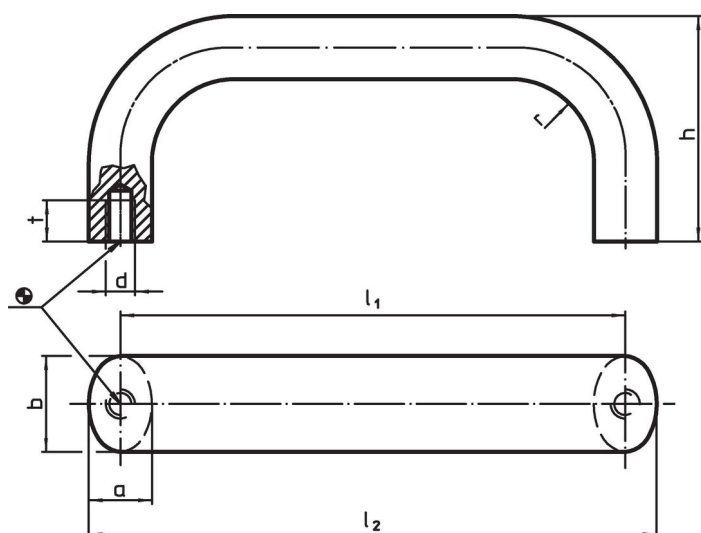
Handle

- Aluminium, drawn, bright, vibratory grinded
- Aluminium, plastic coated, similar to RAL 9005, black
- Stainless steel 1.4301, dull blasted
- stainless steel, slide polished, shiny metallic finish

Assembly

Back mount handle.

Drawing

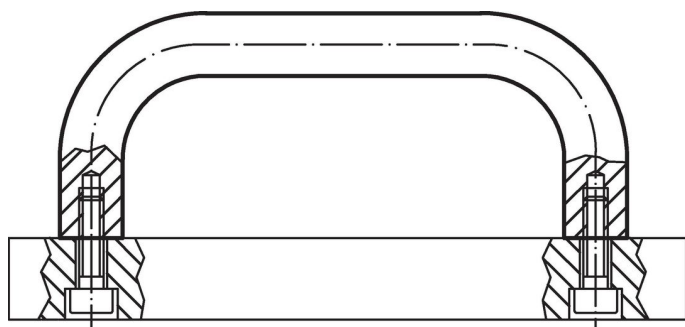


Order information

b	l ₁ ±0.25	l ₂	Dimensions					t	[g]	Art. No.
			a	d	h	r	[mm]			
Aluminium, bright, Aluminium, drawn, bright, vibratory grinded										
20	100	113	13	M6	49	13	10	90	24300.0100	
20	112	125	13	M6	49	13	10	97	24300.0110	
20	117	130	13	M6	49	13	10	100	24300.0112	
20	120	133	13	M6	49	13	10	97	24300.0114	
20	128	141	13	M6	51	13	10	107	24300.0120	
20	160	173	13	M6	51	13	10	122	24300.0130	
20	180	193	13	M6	51	13	10	128	24300.0132	
20	200	213	13	M6	51	13	10	150	24300.0134	
20	235	248	13	M6	51	13	10	180	24300.0136	
26	112	129	17	M8	55	17	12	163	24300.0140	
26	117	134	17	M8	55	17	12	166	24300.0142	
26	120	137	17	M8	55	17	12	200	24300.0144	
26	125	142	17	M8	55	17	12	176	24300.0146	
26	128	154	17	M8	55	17	12	180	24300.0150	
26	160	177	17	M8	57	17	12	217	24300.0160	
26	179	196	17	M8	57	17	12	234	24300.0162	

b	l ₁ ±0.25	l ₂	Dimensions					[g]	Art. No.
			a	d	h	r	t		
[mm]									
26	192	209	17	M8	57	17	12	240	24300.0170
26	300	317	17	M8	57	17	12	344	24300.0180
26	400	417	17	M8	57	17	12	436	24300.0190
26	500	517	17	M8	57	17	12	538	24300.0200
Aluminium, black, Aluminium, plastic coated, similar to RAL 9005, black									
20	100	113	13	M6	49	13	10	100	24300.0300
20	112	125	13	M6	49	13	10	98	24300.0310
20	117	130	13	M6	49	13	10	100	24300.0312
20	120	133	13	M6	49	13	10	104	24300.0314
20	128	141	13	M6	51	13	10	110	24300.0320
20	160	173	13	M6	51	13	10	126	24300.0330
20	180	193	13	M6	51	13	10	128	24300.0332
20	200	213	13	M6	51	13	10	150	24300.0334
20	235	248	13	M6	51	13	10	180	24300.0336
26	112	129	17	M8	55	17	12	167	24300.0340
26	117	134	17	M8	55	17	12	166	24300.0342
26	120	137	17	M8	55	17	12	160	24300.0344
26	125	142	17	M8	55	17	12	178	24300.0346
26	128	145	17	M8	55	17	12	181	24300.0350
26	160	177	17	M8	57	17	12	217	24300.0360
26	179	196	17	M8	57	17	12	234	24300.0362
26	192	209	17	M8	57	17	12	250	24300.0370
26	300	317	17	M8	57	17	12	347	24300.0380
26	400	417	17	M8	57	17	12	445	24300.0390
26	500	517	17	M8	57	17	12	538	24300.0400
stainless steel, dull blasted, Stainless steel 1.4301									
20	112	125	13	M6	49	13	10	271	24300.0510
20	128	141	13	M6	51	13	10	300	24300.0520
20	160	173	13	M6	51	13	10	366	24300.0530
20	200	213	13	M6	51	13	10	440	24300.0540
20	250	263	13	M6	51	13	10	517	24300.0550
20	300	313	13	M6	51	13	10	597	24300.0560
20	400	413	13	M6	51	13	10	737	24300.0580
26	128	145	17	M8	57	19	12	517	24300.0651
26	160	177	17	M8	57	19	12	606	24300.0661
26	200	217	17	M8	57	19	12	708	24300.0671
26	300	317	17	M8	57	19	12	986	24300.0680
26	400	417	17	M8	57	19	12	1259	24300.0690
26	500	517	17	M8	57	19	12	1519	24300.0700
stainless steel, slide polished, shiny metallic finish, stainless steel, slide polished, shiny metallic finish									
20	112	125	13	M6	49	13	10	274	24300.0610
20	128	141	13	M6	51	13	10	309	24300.0620
20	160	173	13	M6	51	13	10	362	24300.0630
20	200	213	13	M6	51	13	10	420	24300.0640
26	128	145	17	M8	57	19	12	518	24300.0650
26	160	177	17	M8	57	19	12	603	24300.0660
26	200	217	17	M8	57	19	12	711	24300.0670

Application example



Compliance

RoHS compliant

Compliant according to Directive 2011/65/EU and Directive 2015/863.

Does not contain SVHC substances

No SVHC substances with more than 0.1% w/w contained - SVHC list [REACH] as of 23.01.2024.

Does not contain Proposition 65 substances

No Proposition 65 substances included.

<https://www.P65Warnings.ca.gov/>

Free from Conflict Minerals

This product does not contain any substances designated as "conflict minerals" such as tantalum, tin, gold or tungsten from the Democratic Republic of Congo or adjacent countries.