

Intermediate Elements

EH 23700.



Product Description

Material

Body

- Steel, blackened

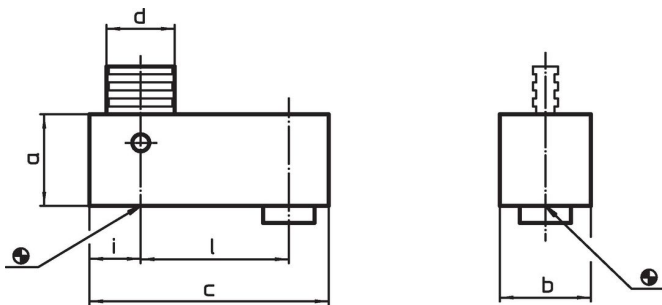
Wearing parts

- Heat-treated steel

Pull-rod

- Special steel

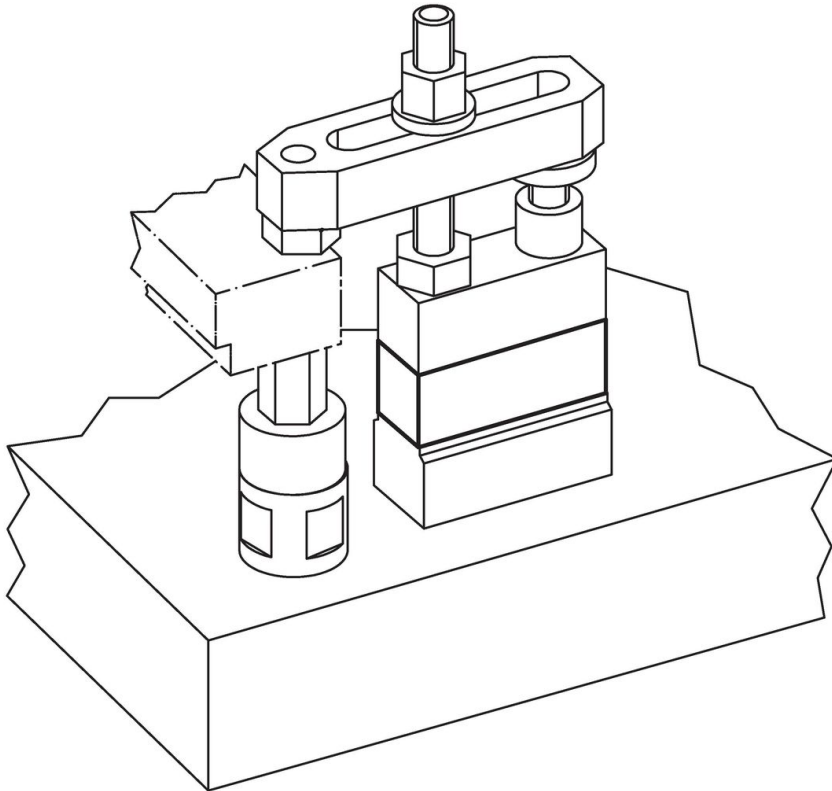
Drawing



Order information

Dimensions							Art. No.
a	b	c	d	i	l	[g]	
[mm]							
25	25	65	16	12.5	40	261	23700.0121
50	25	65	16	12.5	40	580	23700.0122
100	25	65	16	12.5	40	1201	23700.0123
30	30	78	22	14.0	50	468	23700.0161
60	30	78	22	14.0	50	1032	23700.0162
120	30	78	22	14.0	50	2149	23700.0163
240	30	78	22	14.0	50	4340	23700.0164

Application example



Compliance

RoHS compliant

Compliant according to Directive 2011/65/EU and Directive 2015/863.

Does not contain SVHC substances

No SVHC substances with more than 0.1% w/w contained - SVHC list [REACH] as of 27.06.2024.

Does not contain Proposition 65 substances

No Proposition 65 substances included.

<https://www.P65Warnings.ca.gov/>

Free from Conflict Minerals

This product does not contain any substances designated as "conflict minerals" such as tantalum, tin, gold or tungsten from the Democratic Republic of Congo or adjacent countries.