

Eccentric Clamps

EH 23410.



Product Description

Eccentric clamps enable fast and safe clamping and releasing with a relatively large adjustment range and high tensioning force. The eccentric plain washer enables a stepless radial clamping effect in any clamping position. Furthermore, the eccentric clamp is self-locking. The clamp can be used as a stepless stop by removing the thrust washer.

Material

Gear lever handle

- Steel, ground, blackened
- Stainless steel 1.4305, dull blasted

Body

- Steel, case-hardened, blackened
- Stainless steel 1.4305, nickel-plated

Screw

- Steel, hardened, blackened
- Stainless steel 1.4021, heat-treated, nickel-plated

Ball knob

- Thermosetting plastic PF 31, black, DIN 319

Assembly

Fix with screw bolt M 10 (WS 6). Ensure a tightening torque of max. 40 Nm.

Operation

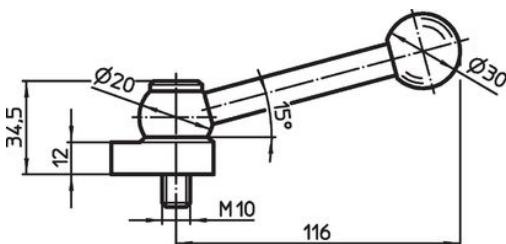
The screw bolt and the washer are adjustable. Once screwed in, the clamping catch can easily be turned to the desired position. For Art. No. 23410.0050 / .0051, the serration helps to put the tension lever to the preferred position.

More information

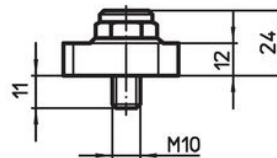
Notes

Left turn type can be supplied on request.

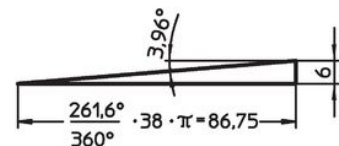
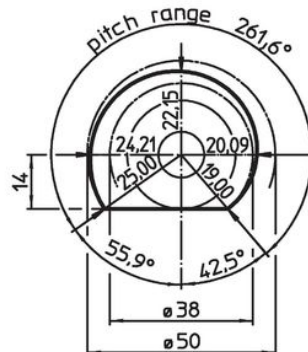
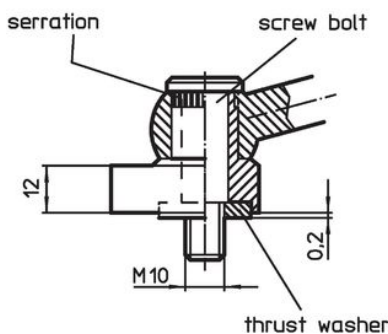
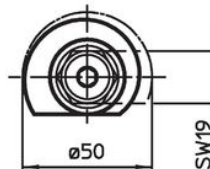
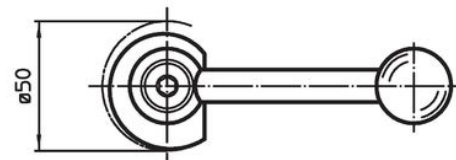
Drawing




picture 1



picture 2



Order information

	 [g]	Art. No.
with tension lever – picture 1, Steel	317	23410.0050
with tension lever – picture 1, Stainless steel	317	23410.0051
with clamping screw – picture 2, Steel	159	23410.0150
with clamping screw – picture 2, Stainless steel	159	23410.0151

Compliance

For detailed compliance information please select the desired article number.