

Clamping Claws

EH 23370.



Product Description

Clamping claws are used as precision clamping element in conventional fixtures. A locating hole is provided in the body of the fixture. The hole depth has to be adapted to the desired clamping height.

For the version with ground support surface (picture 1), a support can be attached to the rounded claw part (radius 22) to absorb the counter force. This support can be flat, half-rounded or V-shaped.

For the version with positioning bushing (picture 2), a support to absorb the counterforce is not necessary. The positioning bushing, which must be inserted into the fixture, serves as a support for the clamping claw. This bushing is included in the scope of delivery and can also be ordered separately as an accessory.

Clamping is achieved by means of an enclosed hexagon screw DIN 933 (ISO 4017).

Material

Bushing

- Case-hardened steel, case-hardened

Body

- Case-hardened steel, case-hardened, blackened and ground

Disc

- Heat-treated steel, tempered, punched, mechanically trued, phosphatized

Spring

- Spring steel wire

Clamping screw

- Heat-treated steel

More information

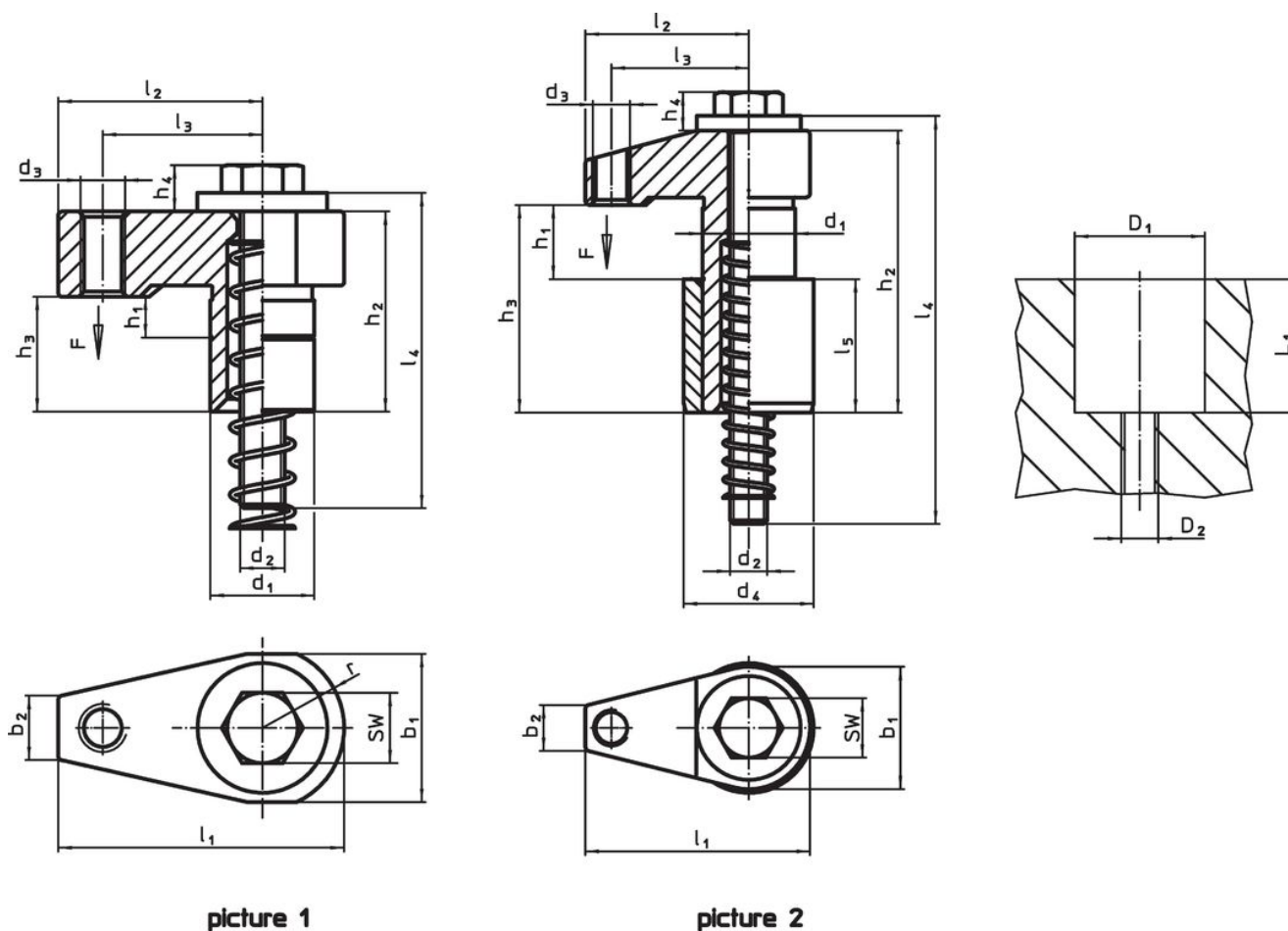
Notes

The tightening torque depends on the specific mounting situation.


References

The clamping height can be reduced by using clamping inserts, e.g. EH 22730.

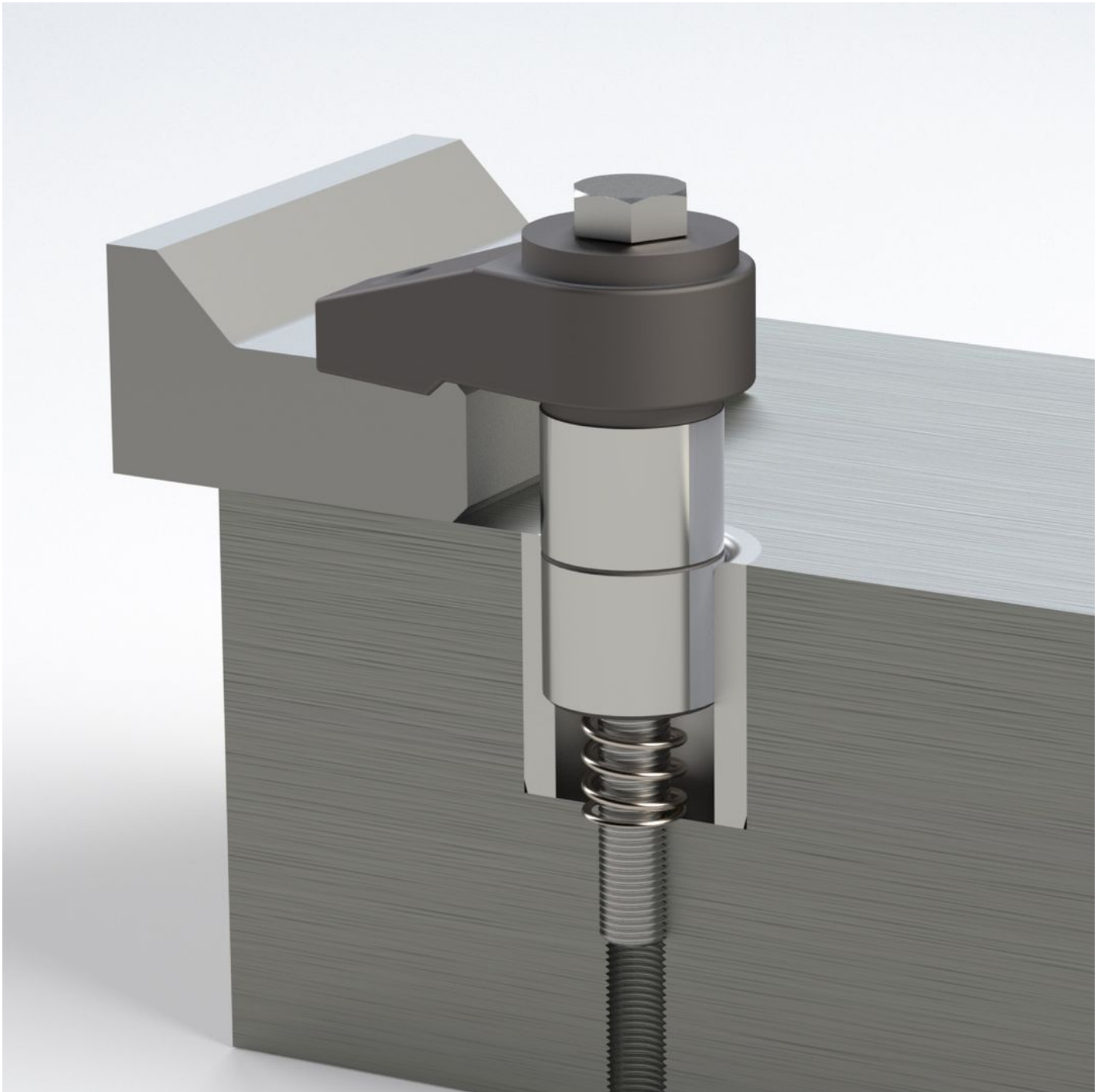
Drawing

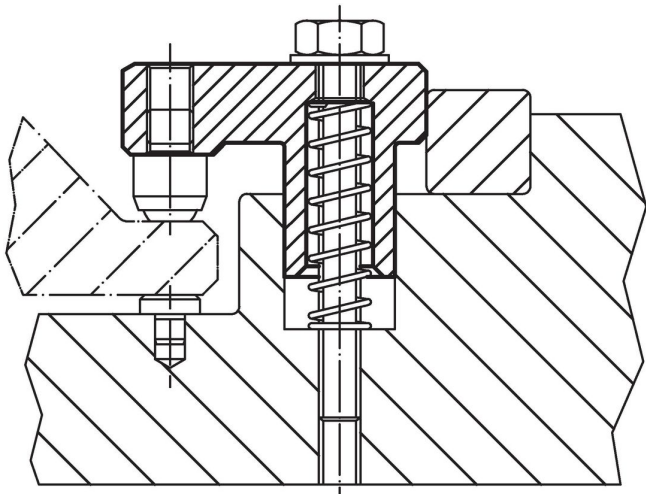
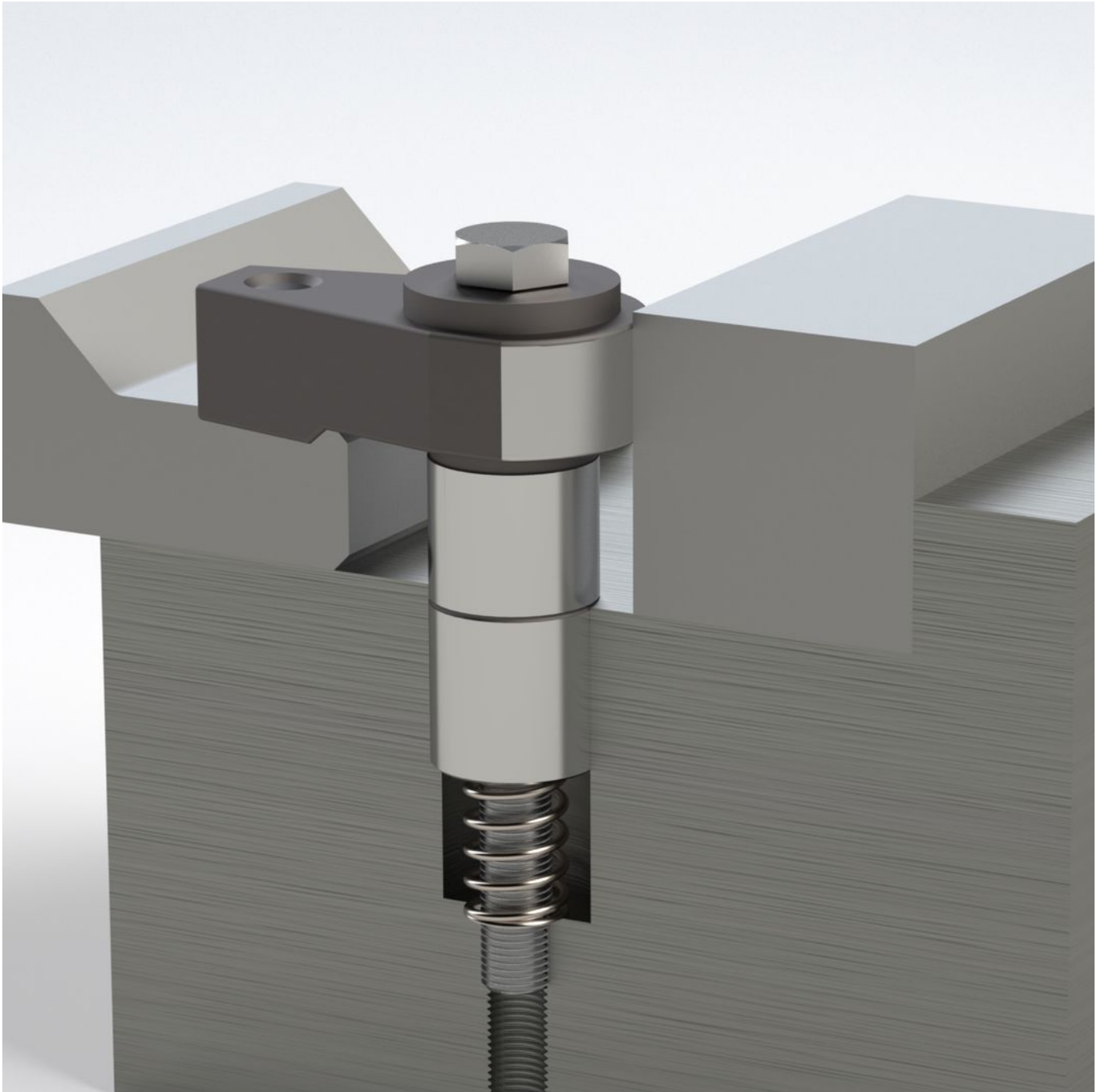


Order information

d ₁ f7	h ₁	b ₁	d ₂	d ₃	d ₄ n6	Dimensions										Stroke [mm]	WS [mm]	Location hole			Clamping force [kN]	Tightening torque max. [Nm]		Art. No.											
						h ₂	h ₃	h ₄	l ₁	l ₂	l ₃	l ₄	l ₅	r ±0.02	D1 H7			D2	L1																
[mm]																		[mm]	[mm]	[mm]	[kN]	[Nm]	[g]												
with ground supporting surface – picture 1																																			
28	0 – 11	40.0	M12	M12	–	31	54	13	77.0	55.0	43	85	–	22	11	18	28	M12	49	10.0	30	523	23370.0031												
28	0 – 25	40.0	M12	M12	–	53	76	13	77.0	55.0	43	120	–	22	25	18	28	M12	51	10.0	30	614	23370.0053												
28	20 – 41	40.0	M12	M12	–	83	106	13	77.0	55.0	43	150	–	22	21	18	28	M12	64	10.0	30	770	23370.0083												
with positioning bushing – picture 2																																			
16	0 – 5	2.0	M 6	M 6	26	31	18	7	37.0	27.0	22	50	16	–	5	10	26	M 6	19	2.5	5	118	23370.0118												
16	3 – 8	20.0	M 6	M 6	26	37	24	7	37.0	27.0	22	60	16	–	5	10	26	M 6	22	2.5	5	128	23370.0124												
20	0 – 8	26.0	M 8	M 8	30	40	24	10	48.0	35.0	28	65	20	–	8	13	30	M 8	25	5.0	10	218	23370.0128												
20	6 – 15	26.0	M 8	M 8	30	51	35	10	48.0	35.0	28	75	20	–	9	13	30	M 8	30	5.0	10	243	23370.0135												
25	0 – 15	33.0	M10	M10	35	60	40	11	60.5	43.5	37	90	36	–	15	16	35	M10	41	7.5	20	483	23370.0140												
25	10 – 20	33.0	M10	M10	35	78	58	11	60.5	43.5	37	110	36	–	10	16	35	M10	49	7.5	20	552	23370.0145												
30	0 – 25	40.3	M12	M12	42	73	50	13	75.0	55.0	43	120	45	–	25	18	42	M12	51	10.0	30	859	23370.0150												
30	20 – 41	40.3	M12	M12	42	106	83	13	75.0	55.0	43	150	45	–	21	18	42	M12	64	10.0	30	1034	23370.0183												

Application example





Compliance

For detailed compliance information please select the desired article number.