

Centering Clamping Elements · with clamping segments

EH 23340.



Product Description

For clamping and centering of workpieces with internal bore. Exact self centering with a precision of $\pm 0,025$ mm. Due to the clamping segments being ground, workpieces with raw and/or machined surfaces can be frictionally connected, centered and held down at the seats. Large adjustment stroke and a low building height are a feature of the centering clamping element. **Mounting from either top or bottom.**

Material

Body

- Tool steel, hardened, blackened

Spring

- Stainless steel

Clamping segments

- Stainless steel 1.4112, hardened and ground

Assembly

Assembly instruction for mounting from above: Remove clamping plate and screw. Screw in threaded pin from below, and tighten from above using female WS₂.

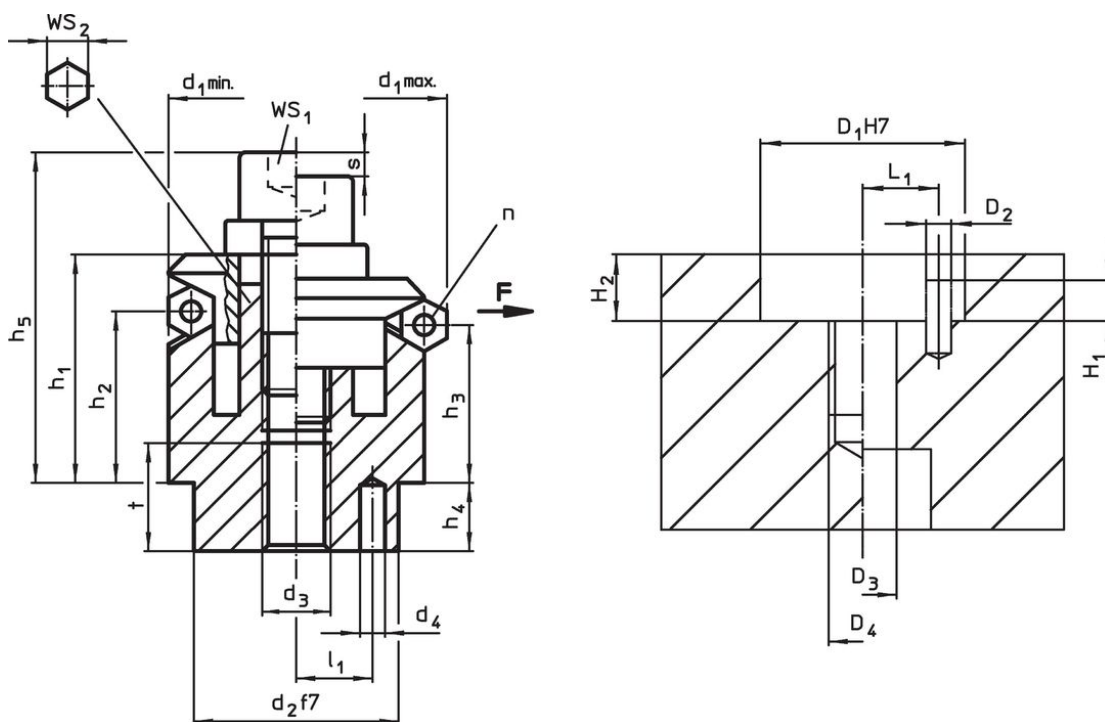
Further or detailed information can be found in the assembly and operating instructions.

More information

Further products

- Centering Clamping Elements, with clamping balls
- Centering Clamping Elements, with clamping segments, operation from the bottom
- Centering Clamping Elements, with clamping balls, operation from the bottom

Drawing

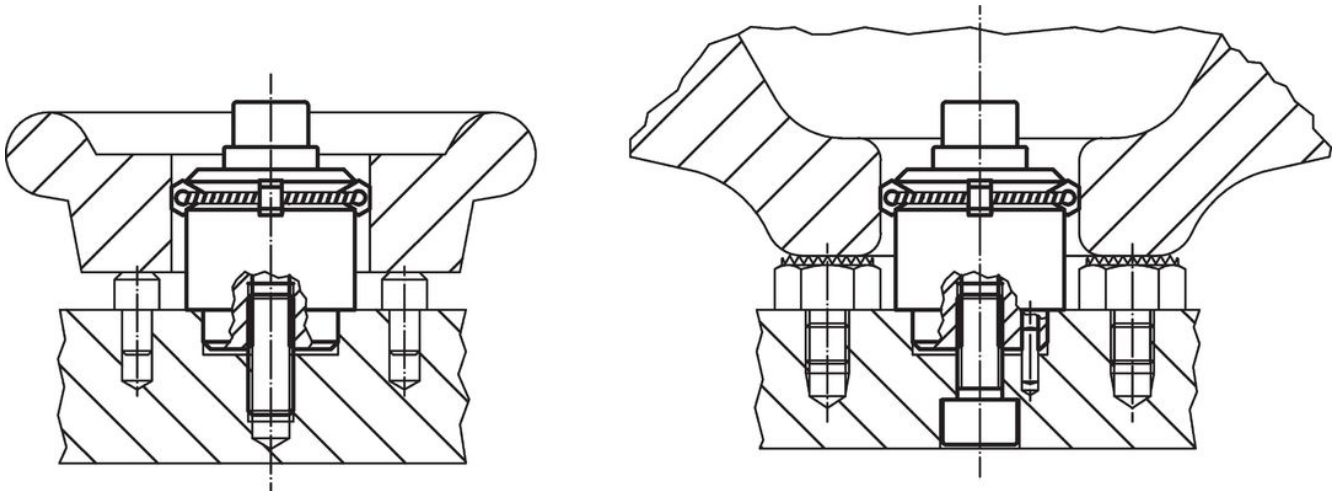


Order information

Dimensions												Number of segments n	Stroke s [mm]	WS		Clamping force F max. [kN]	Tightening torque max. [Nm]	Location hole							[g]	Art. No.
d ₁ min.	d ₁ max.	d ₂	d ₃	d ₄ +0.3	h ₁ -1	h ₂	h ₃	h ₄	h ₅ -2	l ₁ ±0.1	t			WS ₁	WS ₂			D ₁ H7	D ₂	D ₃	D ₄	H ₁	H ₂ +0.5	L ₁ ±0.1		
[mm]														[mm]	[mm]	[kN]	[Nm]	[mm]								
14.5	18.5	12	M 4	2.0	14.3	9.8	8.6	5.5	19.3	4.5	6	3	2.3	3	5	3.5	5	12	2.0	4	M 4	2.0	5.5	4.5	26	23340.0014
18.5	22.5	15	M 5	2.5	16.6	11.5	10.4	7.5	22.8	5.5	7	3	2.3	4	5	4.5	10	15	2.5	5	M 5	2.5	7.5	5.5	45	23340.0018
22.5	26.5	20	M 6	3.0	19.7	14.1	13.0	6.0	28.7	7.0	8	3	2.3	5	6	5.0	17	20	3.0	6	M 6	3.0	6.0	7.0	72	23340.0022
26.5	30.5	20	M 6	3.0	19.9	14.2	13.0	6.0	28.9	7.0	8	3	2.3	5	6	5.0	17	20	3.0	6	M 6	3.0	6.0	7.0	96	23340.0026

Dimensions												Number of segments n	Stroke s [mm]	WS		Clamping force F max. [kN]	Tightening torque max. [Nm]	Location hole							[g]	Art. No.
d ₁ min.	d ₁ max.	d ₂ f7	d ₃	d ₄ +0.3	h ₁ -1	h ₂	h ₃	h ₄	h ₅ -2	l ₁ ±0.1	t			WS ₁	WS ₂			D ₁ H7	D ₂	D ₃	D ₄	H ₁	H ₂ +0.5	L ₁ ±0.1		
[mm]														[mm]				[mm]								
30.5	38.5	25	M 6	4.0	23.2	14.0	11.7	7.0	32.2	9.0	8	3	4.6	5	6	5.0	17	25	4.0	6	M 6	4.0	7.0	9.0	131	23340.0030
38.5	46.5	30	M 8	4.0	27.2	18.0	15.5	7.5	39.2	11.0	10	6	4.6	6	8	6.5	43	30	4.0	8	M 8	4.0	7.5	11.0	259	23340.0038
46.5	54.5	30	M 8	4.0	27.2	18.0	15.7	7.5	39.2	11.0	10	6	4.6	6	8	6.5	43	30	4.0	8	M 8	4.0	7.5	11.0	348	23340.0046
54.5	70.5	45	M10	5.0	40.7	23.7	19.1	9.0	54.7	15.0	12	6	9.2	8	10	8.0	79	45	5.0	10	M10	5.0	9.0	15.0	675	23340.0054
70.5	86.5	60	M12	5.0	46.0	28.3	23.6	10.0	63.0	17.0	15	6	9.2	10	12	10.0	141	60	5.0	12	M12	5.0	10.0	17.0	1346	23340.0070
86.5	102.5	60	M16	5.0	51.1	30.3	25.6	10.0	72.1	25.0	15	6	9.2	14	17	10.0	354	60	5.0	16	M16	5.0	10.0	25.0	2000	23340.0086

Application example



Compliance

RoHS compliant

Compliant according to Directive 2011/65/EU and Directive 2015/863.

Does not contain SVHC substances

No SVHC substances with more than 0.1% w/w contained - SVHC list [REACH] as of 23.01.2024.

Does not contain Proposition 65 substances

No Proposition 65 substances included.

<https://www.P65Warnings.ca.gov/>

Free from Conflict Minerals

This product does not contain any substances designated as "conflict minerals" such as tantalum, tin, gold or tungsten from the Democratic Republic of Congo or adjacent countries.