

## Toggle Clamps Hook Type · with horizontal base

EH 23330.



### Product Description

Due to their favourable power to movement ratio and their easy action the toggle clamps are versatile applicable for a wide range of uses.

The toggle clamps are manufactured from high quality components and are designed for maintenance-free continuous use.

An oil resistant ergonomic 2-component handle, with slip-proof, soft surface and large grip area for high ease of use.

### Material

#### Clamp

- Steel, zinc-plated by galvanization, passivated
- Stainless steel

#### Rivet

- Stainless steel

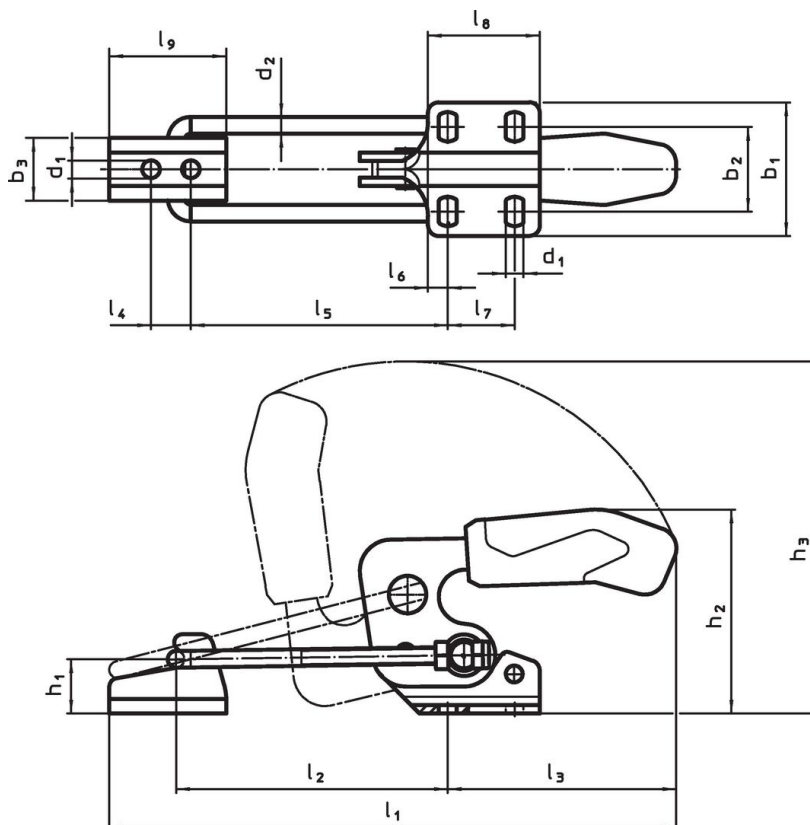
#### Handle

- plastic

#### Counter catch

- Steel, zinc-plated by galvanization, passivated
- Stainless steel



### Drawing



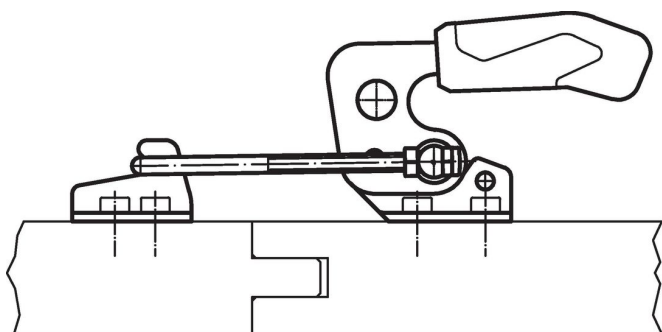
Order information

Nominal size	Dimensions																			Holding force		Temperature		Art. No.		
	d <sub>1</sub>	d <sub>2</sub>	b <sub>1</sub>	b <sub>2</sub>	b <sub>3</sub>	h <sub>1</sub>	h <sub>2</sub>	h <sub>3</sub>	l <sub>1</sub> min.	l <sub>1</sub> max.	l <sub>2</sub> min.	l <sub>2</sub> max.	l <sub>3</sub>	l <sub>4</sub>	l <sub>5</sub> min.	l <sub>5</sub> max.	l <sub>6</sub>	l <sub>7</sub>	l <sub>8</sub>	l <sub>9</sub>	F <sub>1</sub> [kN]	min. [°C]	max. [°C]		[g]	
<b>Steel</b>																										
3	5.2	4	38.0	19.5 – 23.5	18	12	47.0	99.0	125	159	42.0	76	69	11	38.0	72	6.4	13	26.0	26	1.6	-10	80	143	<a href="#">23330.3003</a>	
4	6.5	6	48.0	24.5 – 32.0	23	19	70.0	135.5	169	216	53.5	101	93	14	48.6	96	8.0	19	35.0	39	3.2	-10	80	365	<a href="#">23330.3004</a>	
5	8.5	8	64.3	35.0 – 46.0	30	26	94.5	171.5	209	273	66.0	130	111	19	59.0	123	9.5	32	53.5	56	7.0	-10	80	821	<a href="#">23330.3005</a>	
<b>Stainless steel</b>																										
3	5.2	4	38.0	19.5 – 23.5	18	12	47.0	99.0	125	159	42.0	76	69	11	38.0	72	6.4	13	26.0	26	1.6	-10	80	144	<a href="#">23330.3103</a>	
4	6.5	6	48.0	24.5 – 32.0	23	19	70.0	135.5	169	216	53.5	101	93	14	48.6	96	8.0	19	35.0	39	3.2	-10	80	365	<a href="#">23330.3104</a>	
5	8.5	8	64.3	35.0 – 46.0	30	26	94.5	171.5	209	273	66.0	130	111	19	59.0	123	9.5	32	53.5	56	7.0	-10	80	821	<a href="#">23330.3105</a>	

Accessories

	Nominal size	l <sub>9</sub> [mm]	b <sub>3</sub> [mm]	d <sub>1</sub> [mm]	l <sub>4</sub> [mm]	[g]	Art. No.
<b>Counter catch (accessories for toggle clamps hook type), Steel</b>							
	3	26	18	5.2	11	15	<a href="#">23330.9023</a>
	4	39	23	6.5	14	42	<a href="#">23330.9024</a>
	5	56	30	8.5	19	108	<a href="#">23330.9025</a>
<b>Counter catch (accessories for toggle clamps hook type), Stainless steel</b>							
 No Photo available	3	26	18	5.2	11	15	<a href="#">23330.9523</a>
	4	39	23	6.5	14	42	<a href="#">23330.9524</a>
	5	56	30	8.5	19	108	<a href="#">23330.9525</a>

Application example



Compliance

For detailed compliance information please select the desired article number.