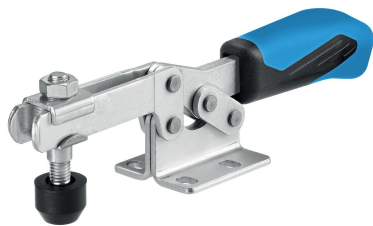


Horizontal Toggle Clamps · with horizontal base

EH 23330.



Product Description

Due to their favourable power to movement ratio and their easy action the toggle clamps are versatile applicable for a wide range of uses.

These toggle clamps can be used in the metal working industry when drilling, welding, bending, grinding, testing and fitting as well as in the wood and plastic industry in glueing, drilling, cutting and milling jigs.

The "toggle" principle of the toggle clamp allows a large and quick opening of the clamp. If unclamped the workpieces are completely cleared for unimpeded removal. The large power transmission results maximum clamping force by low hand force. The clamps are self-arresting they remain locked, resisting the force produced when machining components.

The toggle clamps are manufactured from high quality components and are designed for continuous use.

A oil resistant ergonomic 2-component handle, with increased grip area with soft surface for high ease of use.

The quickly adjustable clamping screws are provided by a retainer.

Material

Clamp

- Steel, zinc-plated by galvanization, passivated
- Stainless steel

Rivet

- Stainless steel
- Steel

Handle

- plastic

Clamping screw

- Steel, tempered, zinc-plated by galvanization
- Stainless Steel

Clamping cap

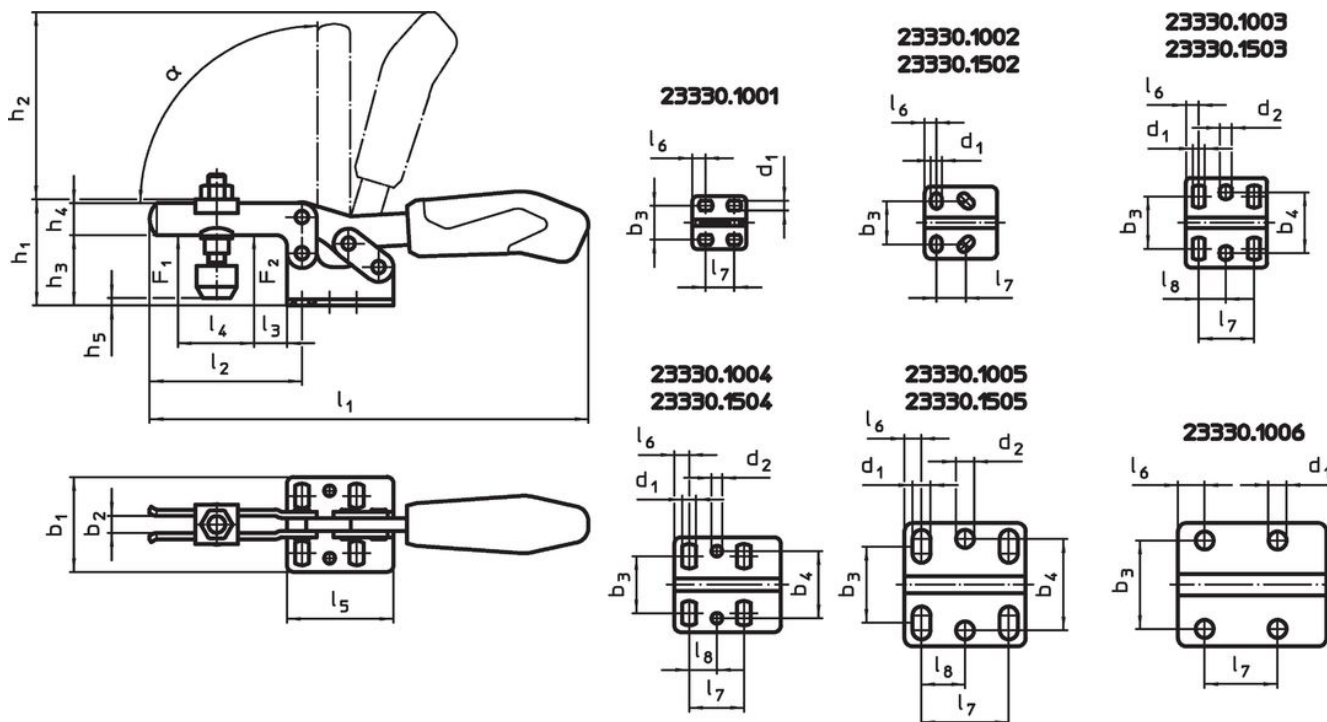
- Rubber, black

More information




References

Replacement clamping screws are available as accessories in the online shop.

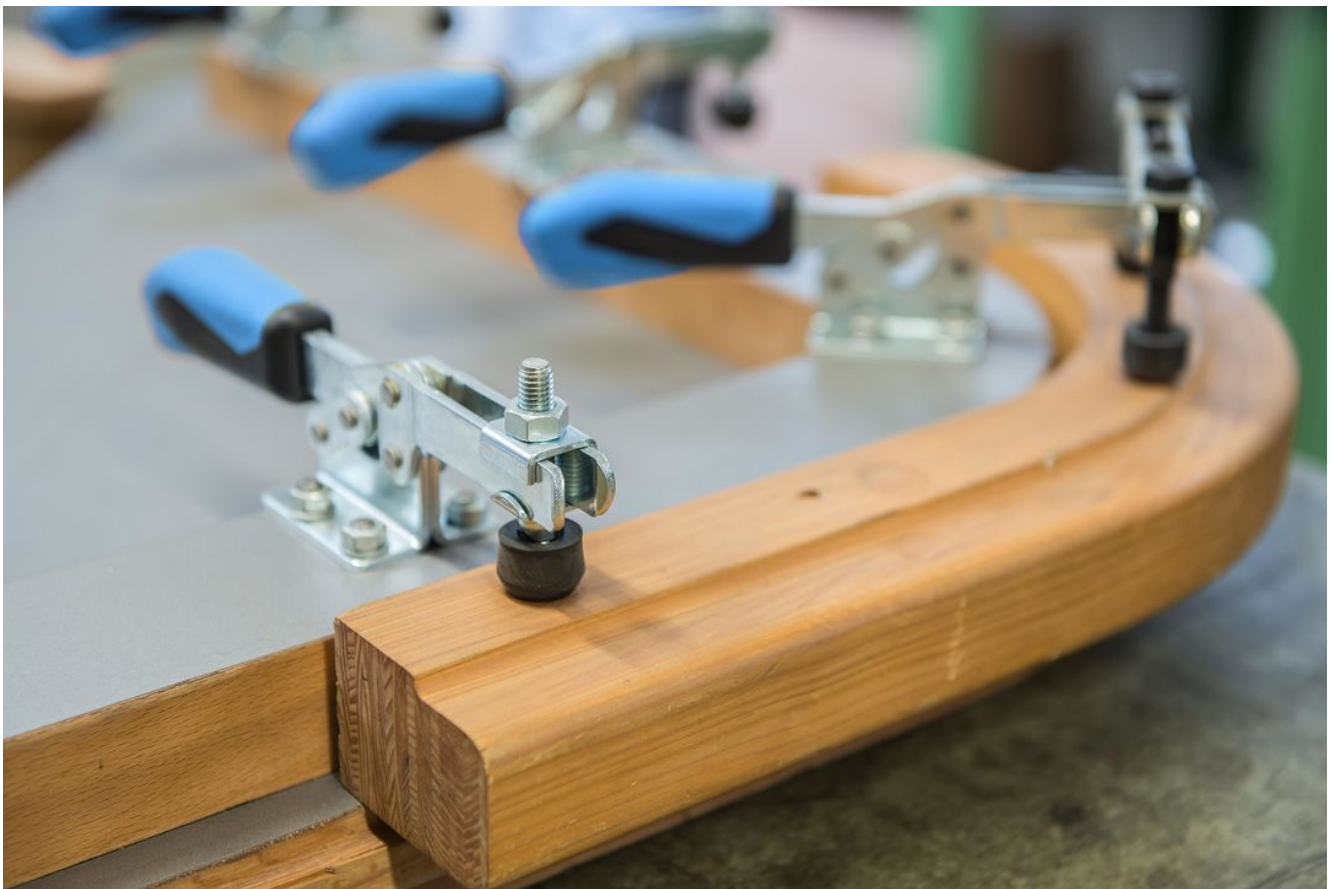
Drawing

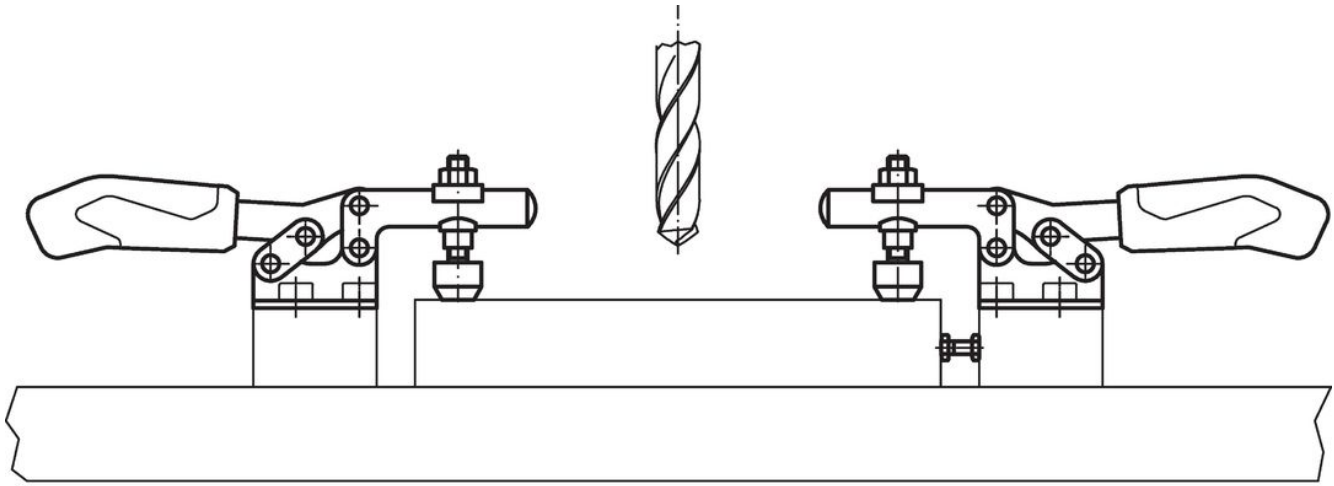


Accessories

	Dimensions d ₂ [mm]	 [g]	Art. No.
Clamping screw (spare part of toggle clamp), Steel			
	M 4 x 25	6.2	23330.9001
	M 5 x 30	11.0	23330.9002
	M 6 x 35	16.0	23330.9003
	M 8 x 45	38.0	23330.9005
	M 8 x 65	57.0	23330.9006
	M12 x 80	147.0	23330.9007
Clamping screw (spare part of toggle clamp), Stainless Steel			
	M 5 x 30	11.0	23330.9502
	M 6 x 35	16.0	23330.9503
	M 8 x 45	38.0	23330.9504
	M 8 x 65	57.0	23330.9505

Application example





Compliance

For detailed compliance information please select the desired article number.