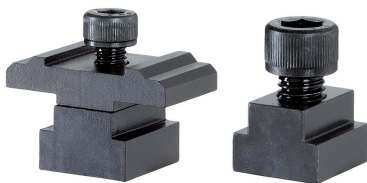


Adapter for Taper Clamping Units · for clamping bars

EH 23250.



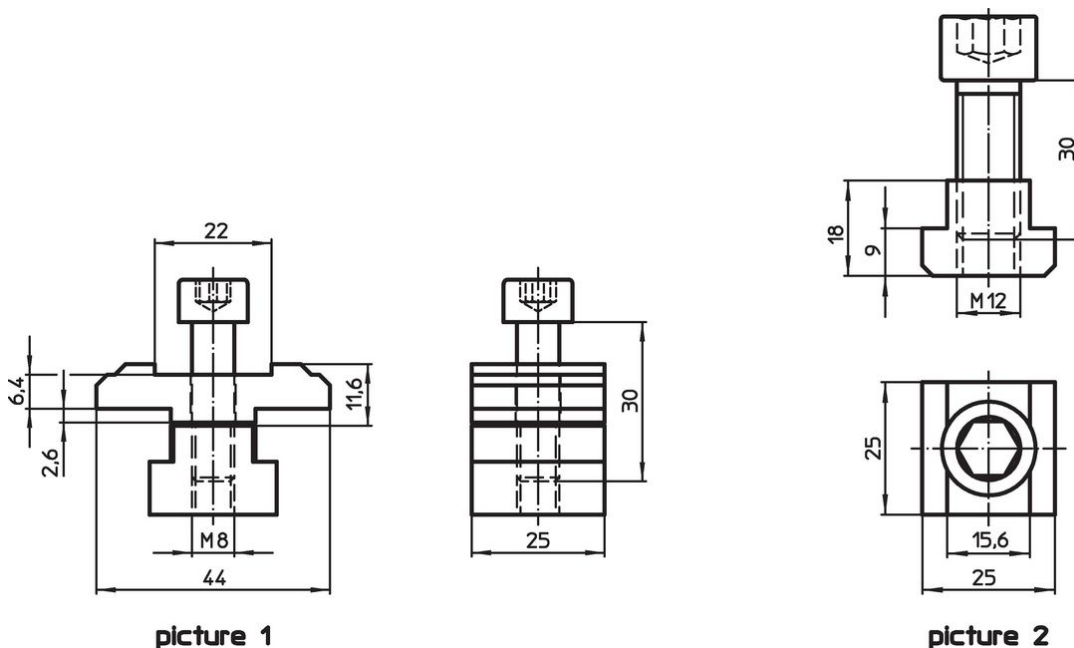
Product Description

With the adapter, all taper clamping units M8 - M12 can be mounted on the clamping bars. The adapter for the size M8 includes a twist-lock.

Material

- Tool steel


Drawing



picture 1

picture 2

Order information

	 [g]	Art. No.
picture 1	153	23250.0530
picture 2	105	23250.0531

Compliance

RoHS compliant

Compliant according to Directive 2011/65/EU and Directive 2015/863.

Does not contain SVHC substances

No SVHC substances with more than 0.1% w/w contained - SVHC list [REACH] as of 23.01.2024.

Does not contain Proposition 65 substances

No Proposition 65 substances included.

<https://www.P65Warnings.ca.gov/>

Free from Conflict Minerals

This product does not contain any substances designated as "conflict minerals" such as tantalum, tin, gold or tungsten from the Democratic Republic of Congo or adjacent countries.