

## Clamps · with soft face, similar to DIN 6314

EH 23190.



### Product Description

This clamp (clamping claw) according to DIN 6314 with soft face is mainly used in mechanical clamping technology for clamping workpieces. The soft face protects the workpiece from damage. With the combination of nut DIN 6330 B (EH 23070./)conical seat DIN 6319 G (EH 23050.) on the clamping bolt and thrust pad DIN 6311 (EH 22560. removable) on the adjusting screw compensates for the lack of parallelity. The clamp can be used either way (soft or hard clamping surface).

### Material

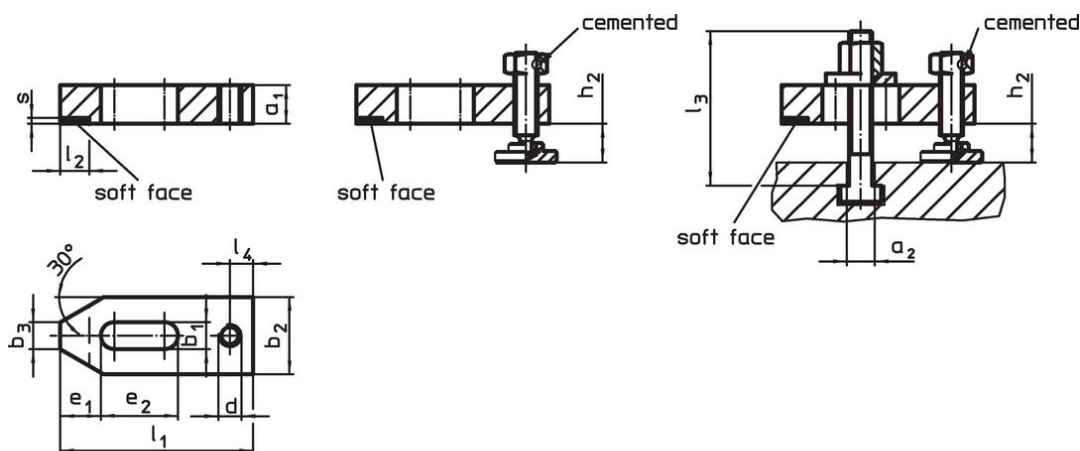
#### Soft face

- Brass, brazed

#### Clamp

- Heat-treated steel, blackened

### Drawing



picture 1

picture 2

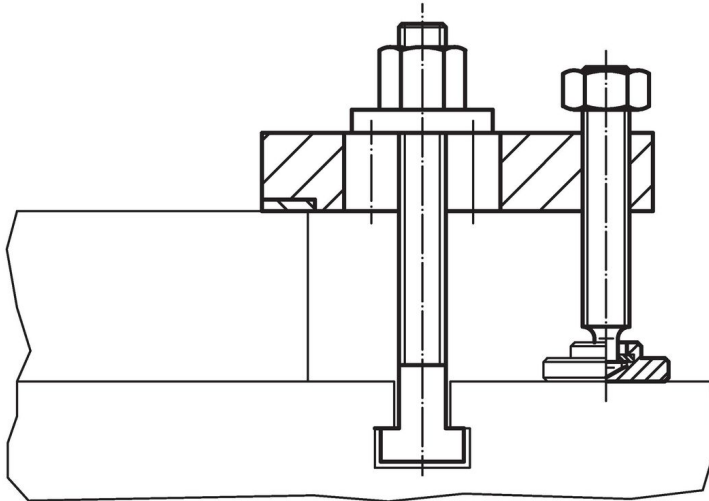
picture 3

### Order information

Nominal dimension $b_1$ [mm]	Dimensions												T-slot size [mm]	Clamping height		[g]	Art. No.
	$a_1$	$l_3$	$a_2$	$b_2$	$b_3$	$d$	$e_1$	$e_2$	$l_1$	$l_2$ $\pm 1$	$l_4$	$s$		$h_2$ min.	$h_2$ max.		
<b>without accessories – picture 1</b>																	
9	12	–	–	25	10	M 8	13	22	60	10	8	2	–	–	–	111	23190.0010
11	15	–	–	30	12	M10	15	30	80	12	10	2	–	–	–	221	23190.0020
14	20	–	–	40	14	M12	21	40	100	15	12	3-0.5	–	–	–	478	23190.0030
18	25	–	–	50	18	M16	26	45	125	20	16	3-0.5	–	–	–	949	23190.0040
<b>only with adjusting screw – picture 2</b>																	
9	12	–	–	25	10	M 8	13	22	60	10	8	2	–	8	23	150	23190.0011
9	12	–	–	25	10	M 8	13	22	60	10	8	2	–	8	43	160	23190.0012
11	15	–	–	30	12	M10	15	30	80	12	10	2	–	10	38	295	23190.0021
11	15	–	–	30	12	M10	15	30	80	12	10	2	–	10	58	310	23190.0022
14	20	–	–	40	14	M12	21	40	100	15	12	3-0.5	–	10	31	590	23190.0031
14	20	–	–	40	14	M12	21	40	100	15	12	3-0.5	–	10	71	620	23190.0032
18	25	–	–	50	18	M16	26	45	125	20	16	3-0.5	–	12	42	1150	23190.0041
18	25	–	–	50	18	M16	26	45	125	20	16	3-0.5	–	12	87	1220	23190.0042
<b>with adjusting screw and clamping bolt – picture 3</b>																	
9	12	50	7.6	25	10	M 8	13	22	60	10	8	2	8	8	16	200	23190.0015
9	12	80	7.6	25	10	M 8	13	22	60	10	8	2	8	8	43	220	23190.0016
11	15	65	9.6	30	12	M10	15	30	80	12	10	2	10	10	22	385	23190.0025
11	15	100	9.6	30	12	M10	15	30	80	12	10	2	10	10	58	420	23190.0026
14	20	80	11.6	40	14	M12	21	40	100	15	12	3-0.5	12	10	28	740	23190.0035

Nominal dimension $b_1$ [mm]	Dimensions												T-slot size [mm]	Clamping height		Art. No.	
	$a_1$	$l_3$	$a_2$	$b_2$	$b_3$	$d$	$e_1$	$e_2$	$l_1$	$l_2$ $\pm 1$	$l_4$	$s$		$h_2$ min.	$h_2$ max.		
	[mm]													[mm]	[mm]		[g]
14	20	125	11.6	40	14	M12	21	40	100	15	12	3-0.5	12	10	71	805	<a href="#">23190.0036</a>
14	20	80	13.6	40	14	M12	21	40	100	15	12	3-0.5	14	10	26	755	<a href="#">23190.0037</a>
14	20	125	13.6	40	14	M12	21	40	100	15	12	3-0.5	14	10	71	820	<a href="#">23190.0038</a>
18	25	100	15.6	50	18	M16	26	45	125	20	16	3-0.5	16	12	31	1470	<a href="#">23190.0045</a>
18	25	160	15.6	50	18	M16	26	45	125	20	16	3-0.5	16	12	87	1630	<a href="#">23190.0046</a>
18	25	100	17.6	50	18	M16	26	45	125	20	16	3-0.5	18	12	32	1490	<a href="#">23190.0047</a>
18	25	160	17.6	50	18	M16	26	45	125	20	16	3-0.5	18	12	87	1650	<a href="#">23190.0048</a>

### Application example



### Compliance

For detailed compliance information please select the desired article number.