

Clamps · with exchangeable soft jaw

EH 23190.



Product Description

This clamp (clamping claw) with exchangeable soft jaw is mainly used in mechanical clamping technology for clamping workpieces.
The soft jaw made from brass or plastic protects the workpiece from damage.

Material

Soft jaw

- Brass
- plastic

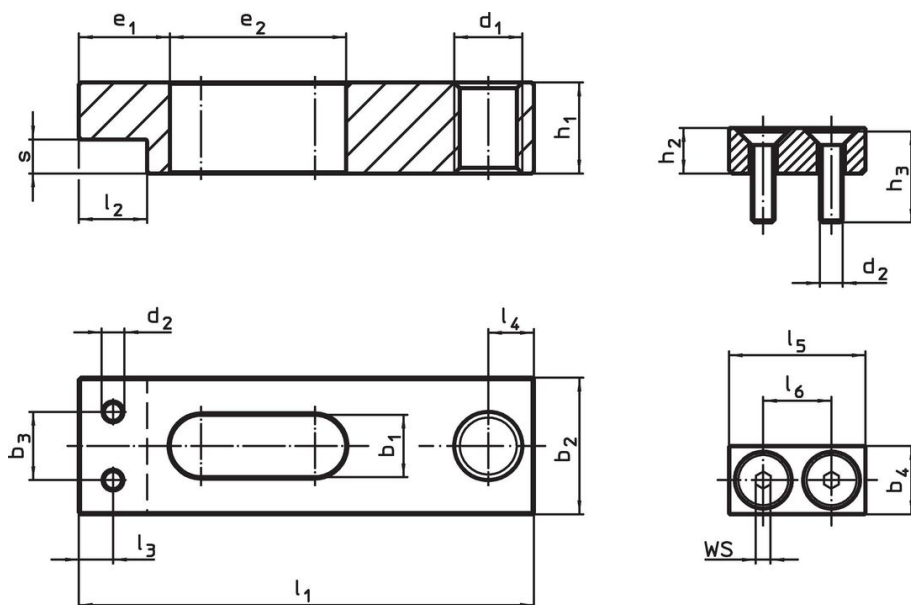
Clamp

- Heat-treated steel, blackened

Assembly

The soft jaws are mounted or disassembled with two screws. These are included in the scope of delivery.

Drawing





picture 1

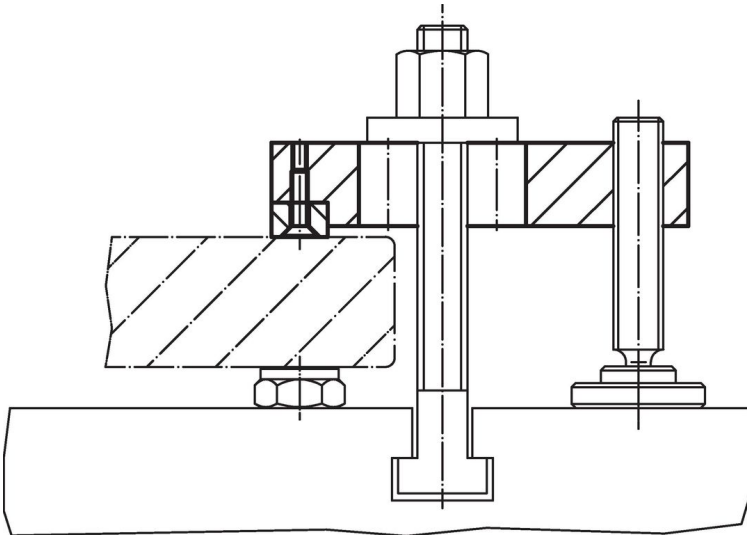
picture 2

Order information

Nominal dimension ¹⁾ b ₁ +0.5 [mm]	Dimensions																	WS [mm]	Temperature		Weight [g]	Art. No.
	l ₁	b ₂	b ₃	b ₄	d ₁	d ₂	e ₁	e ₂	h ₁	h ₂	h ₃	l ₂	l ₃	l ₄	l ₅	l ₆	s		min.	max.		
	[mm]																		[°C]			
plain clamp without soft jaw – picture 1																						
5.5	40	12	6	–	M 6	M 2	8	15.5	8	–	–	6	3.0	4	–	–	3	–	–	–	21.0	23190.0050
7.0	50	16	9	–	M 6	M2,5	10	22.0	10	–	–	8	4.0	5	–	–	4	–	–	–	46.0	23190.0051
9.0	63	20	11	–	M 8	M 3	12	29.0	12	–	–	10	5.0	6	–	–	4	–	–	–	86.0	23190.0052
11.0	80	25	14	–	M10	M 4	15	36.0	16	–	–	13	6.5	8	–	–	6	–	–	–	183.0	23190.0053
14.0	100	32	16	–	M12	M 5	18	44.0	20	–	–	16	8.0	10	–	–	8	–	–	–	366.0	23190.0054
18.0	160	50	30	–	M16	M 8	30	63.0	30	–	–	28	14.0	16	–	–	12	–	–	–	1440.0	23190.0055
soft jaw from brass – picture 2																						
5.5	–	–	–	6	–	M 2	–	–	–	4	8	–	–	–	12	6	–	1.3	–	250	3.9	23190.0060
7.0	–	–	–	8	–	M2,5	–	–	–	6	10	–	–	–	16	9	–	1.5	–	250	7.8	23190.0061
9.0	–	–	–	10	–	M 3	–	–	–	6	12	–	–	–	20	11	–	2.0	–	250	11.0	23190.0062
11.0	–	–	–	13	–	M 4	–	–	–	9	16	–	–	–	25	14	–	2.5	–	250	26.0	23190.0063
14.0	–	–	–	16	–	M 5	–	–	–	12	20	–	–	–	32	16	–	3.0	–	250	53.0	23190.0064
18.0	–	–	–	28	–	M 8	–	–	–	16	30	–	–	–	50	30	–	5.0	–	250	187.0	23190.0065

Nominal dimension b ₁ +0.5 [mm]	Dimensions																WS [mm]	 min. max. [°C]		 [g]	Art. No.		
	l ₁	b ₂	b ₃	b ₄	d ₁	d ₂	e ₁	e ₂	h ₁	h ₂	h ₃	l ₂	l ₃	l ₄	l ₅	l ₆		s	[mm]			[°C]	[g]
soft jaw from plastic – picture 2																							
5.5	-	-	-	6	-	M 2	-	-	-	4	8	-	-	-	12	6	-	1.3	0	50	2.2	23190.0070	
7.0	-	-	-	8	-	M2,5	-	-	-	6	10	-	-	-	16	9	-	1.5	0	50	3.4	23190.0071	
9.0	-	-	-	10	-	M 3	-	-	-	6	12	-	-	-	20	11	-	2.0	0	50	4.0	23190.0072	
11.0	-	-	-	13	-	M 4	-	-	-	9	16	-	-	-	25	14	-	2.5	0	50	7.7	23190.0073	
14.0	-	-	-	16	-	M 5	-	-	-	12	20	-	-	-	32	16	-	3.0	0	50	14.0	23190.0074	
18.0	-	-	-	28	-	M 8	-	-	-	16	30	-	-	-	50	30	-	5.0	0	50	49.0	23190.0075	

Application example



Compliance

For detailed compliance information please select the desired article number.