

Clamps · slotted, with adjustable counter piece, with stud with internal hexagon

EH 23185.



Product Description

The thrust pad and the counter element are connected with the clamp and therefore secured against loss. Consequently, the clamp is quickly ready for use. The clamp is equipped with two flat noses and can be turned around depending on the case of application.

Material

Screw

- Heat-treated steel

Nut

- Heat-treated steel

Disc

- Heat-treated steel

Clamp

- Steel, tempered, zinc-plated by galvanization

Assembly

The internal hexagon in the stud enables quick assembly and disassembly.

More information

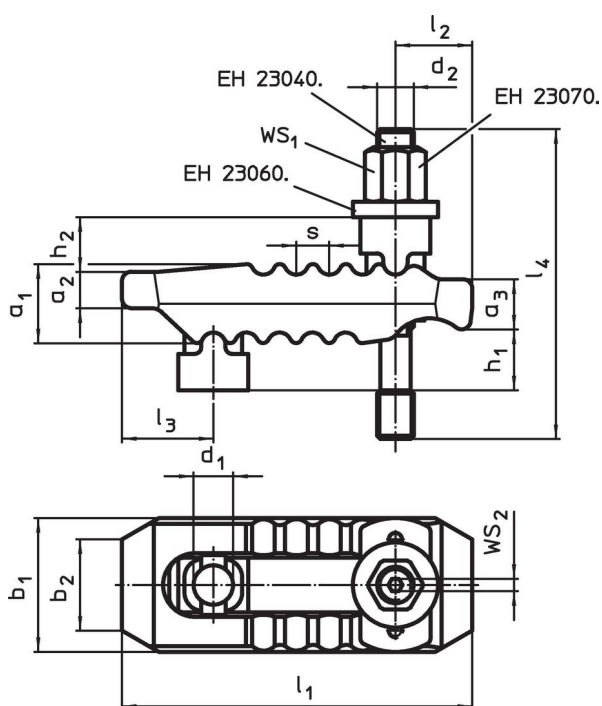
References

Larger clamping heights can be reached by the use of a support extension (EH 23185.).

Further products

- Support Extensions, for straight clamps, slotted, with adjustable counter piece


Drawing



Order information

Nominal dimension d ₁ [mm]	d ₂	l ₄	h ₁	h ₂	Dimensions									WS ₁ [mm]	WS ₂ [mm]	Clamping force ¹⁾ max. [kN]	[g]	Art. No.
					a ₁	a ₂	a ₃	b ₁	b ₂	l ₁	l ₂	l ₃	s					
13	M12	100	0 – 30	18	27	12	17	44	30	115	25	30	11	18	4	30	1700	23185.0312
13	M12	125	0 – 55	18	27	12	17	44	30	115	25	30	11	18	4	30	800	23185.0313
17	M12	125	0 – 50	20	36	17	21	55	41	150	35	36	12	18	4	40	1632	23185.0314
17	M12	160	0 – 70	20	36	17	21	55	41	150	35	36	12	18	4	40	1659	23185.0315
17	M16	125	0 – 40	20	36	17	21	55	41	150	35	36	12	24	4	40	1766	23185.0316
17	M16	160	0 – 70	20	36	17	21	55	41	150	35	36	12	24	4	40	1812	23185.0317
21	M16	160	0 – 40	30	42	20	27	62	30	187	44	44	14	24	4	60	2578	23185.0318
21	M16	200	0 – 80	30	42	20	27	62	30	187	44	44	14	24	4	60	2629	23185.0319

¹⁾ stated clamping forces in optimal clamping position (smallest distance of the socket head screw to the clamping position). Clamping forces can vary depending on clamping, strength class of the socket head screw and condition of the thread (lubrication).

Nominal dimension d ₁ [mm]	d ₂	l ₄	Dimensions											WS ₁ [mm]	WS ₂ [mm]	Clamping force ¹⁾ max. [kN]		Art. No.
			h ₁	h ₂	a ₁	a ₂	a ₃	b ₁	b ₂	l ₁	l ₂	l ₃	s					
21	M20	160	0 – 40	30	42	20	27	62	30	187	44	44	14	30	5	60	2758	23185.0320
21	M20	200	0 – 80	30	42	20	27	62	30	187	44	44	14	30	5	60	2836	23185.0321
25	M20	200	0 – 70	31	51	24	34	70	30	235	60	47	17	30	5	75	4180	23185.0322
25	M20	250	0 – 100	31	51	24	34	70	30	235	60	47	17	30	5	75	4361	23185.0323
25	M24	200	0 – 50	31	51	24	34	70	30	235	60	47	17	36	5	75	4500	23185.0324
25	M24	250	0 – 100	31	51	24	34	70	30	235	60	47	17	36	5	75	4650	23185.0325

¹⁾ stated clamping forces in optimal clamping position (smallest distance of the socket head screw to the clamping position). Clamping forces can vary depending on clamping, strength class of the socket head screw and condition of the thread (lubrication).

Compliance

RoHS compliant

Compliant according to Directive 2011/65/EU and Directive 2015/863.

Does not contain SVHC substances

No SVHC substances with more than 0.1% w/w contained - SVHC list [REACH] as of 23.01.2024.

Does not contain Proposition 65 substances

No Proposition 65 substances included.

<https://www.P65Warnings.ca.gov/>

Free from Conflict Minerals

This product does not contain any substances designated as "conflict minerals" such as tantalum, tin, gold or tungsten from the Democratic Republic of Congo or adjacent countries.