

## Clamps • DIN 6315 B forked EH 23150.



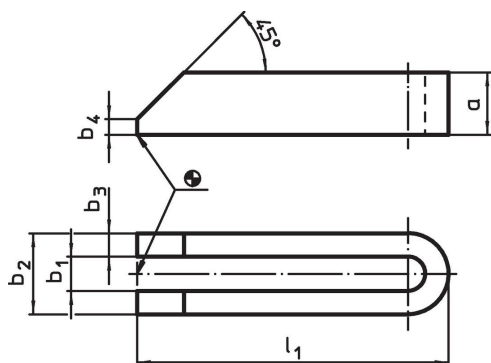
### Product Description

This clamp (clamping claw) according to DIN 6314 B is forked and is mainly used in mechanical clamping technology for clamping workpieces.

### Material

- Heat-treated steel, varnished

### Drawing



### Order information

Nominal dimension b <sub>1</sub> [mm]	Dimensions					For screws		[g]	Art. No.
	l <sub>1</sub>	a	b <sub>2</sub> [mm]	b <sub>3</sub>	b <sub>4</sub>	[mm]	[in]		
6.6	60	12	19	6	3	M 6	1/4	65	23150.0007
9.0	80	15	25	8	4	M 8	5/16	141	23150.0009
11.0	100	20	31	10	5	M10	3/8	299	23150.0011
14.0	125	25	38	12	6	M12, M14	1/2	578	23150.0014
14.0	160	25	38	12	6	M12, M14	1/2	715	23150.0015
14.0	200	25	38	12	6	M12, M14	1/2	905	23150.0016
18.0	160	30	48	15	8	M16, M18	5/8	1077	23150.0018
18.0	200	30	48	15	8	M16, M18	5/8	1346	23150.0019
18.0	250	40	48	15	10	M16, M18	5/8	2300	23150.0020
22.0	200	40	52	15	10	M20, M22	3/4	1809	23150.0022
22.0	250	40	62	20	10	M20, M22	3/4	3020	23150.0023
22.0	315	40	62	20	10	M20, M22	3/4	3800	23150.0024
26.0	200	40	66	20	10	M24	1	2359	23150.0026
26.0	250	40	66	20	10	M24	1	2360	23150.0027
26.0	315	40	66	20	10	M24	1	3802	23150.0028
26.0	500	50	66	20	10	M24	1	7640	23150.0030
33.0	250	50	74	20	12	M30	1 1/4	3720	23150.0034
33.0	315	50	74	20	12	M30	1 1/4	4780	23150.0035
33.0	400	50	74	20	12	M30	1 1/4	6458	23150.0036
40.0	400	60	100	30	12	M36	1 1/2	10920	23150.0040 <sup>1)</sup>
40.0	600	60	100	30	12	M36	1 1/2	18002	23150.0041 <sup>1)</sup>

<sup>1)</sup> DIN standards do not include these dimensions.

## Compliance

### RoHS compliant

Compliant according to Directive 2011/65/EU and Directive 2015/863.

### Does not contain SVHC substances

No SVHC substances with more than 0.1% w/w contained - SVHC list [REACH] as of 23.01.2024.

### Does not contain Proposition 65 substances

No Proposition 65 substances included.

<https://www.P65Warnings.ca.gov/>

### Free from Conflict Minerals

This product does not contain any substances designated as "conflict minerals" such as tantalum, tin, gold or tungsten from the Democratic Republic of Congo or adjacent countries.