

## Locating Bushings · for positioning clamping pins, for press fit

EH 23111.



### Product Description

These locating bushes for positioning clamping pins are mounted in the counterpart.

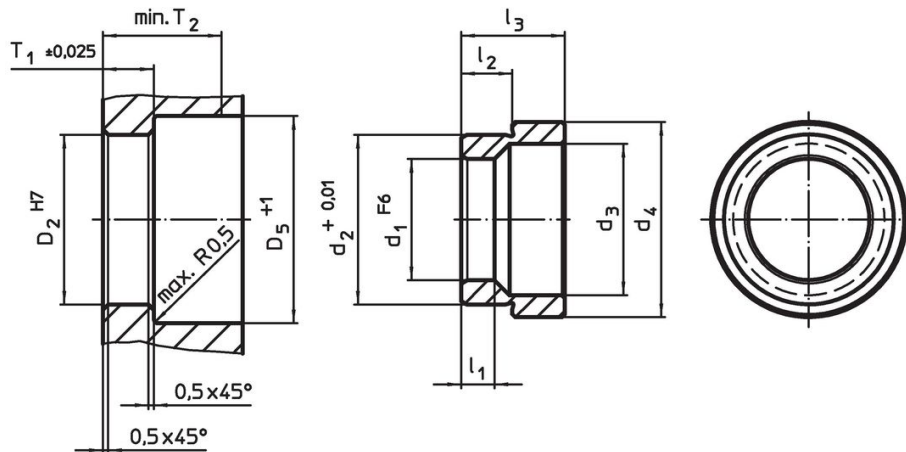
### Material

- Case-hardened steel, case-hardened, blackened
- Stainless steel 1.4112, hardened

### Assembly

The press fit locating bushing for positioning clamping pins are inserted in the machine table or the base plate with light pressure.

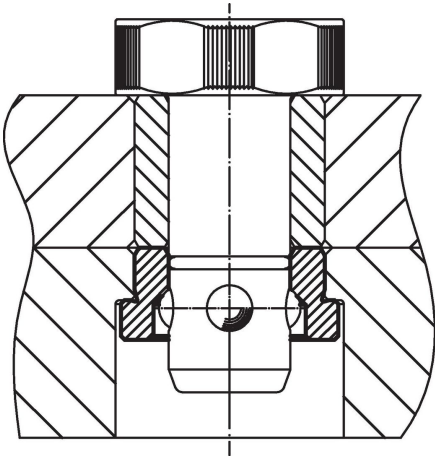
### Drawing



### Order information

$d_1$ F6	$d_2$ +0.01	$d_3$	Dimensions			$l_3$	Location hole			[g]	Art. No.	
			$d_4$	$l_1$	$l_2$		$D_2$ H7	$D_5$ +1	$T_1$ $\pm 0.02$			$T_2$ min.
[mm]												
<b>Case-hardened steel</b>												
16	22.03	20	28.6	5.25	6.90	12.1	22	31	7.25	22	22	23111.0762
20	28.03	25	32.2	5.25	8.42	17.1	28	34	8.75	22	39	23111.0764
25	35.03	31	40.2	5.25	10.22	21.0	35	42	10.55	28	79	23111.0766
30	42.03	37	48.2	5.25	10.63	21.8	42	50	10.95	28	118	23111.0768
<b>Stainless steel</b>												
16	22.03	20	28.6	5.25	6.90	12.1	22	31	7.25	22	22	23111.0862
20	28.03	25	32.2	5.25	8.42	17.1	28	34	8.75	22	39	23111.0864
25	35.03	31	40.2	5.25	10.22	21.0	35	42	10.55	28	79	23111.0866
30	42.03	37	48.2	5.25	10.63	21.8	42	50	10.95	28	118	23111.0868

## Application example



## Compliance

### RoHS compliant

Compliant according to Directive 2011/65/EU and Directive 2015/863.

### Does not contain SVHC substances

No SVHC substances with more than 0.1% w/w contained - SVHC list [REACH] as of 23.01.2024.

### Does not contain Proposition 65 substances

No Proposition 65 substances included.  
<https://www.P65Warnings.ca.gov/>

### Free from Conflict Minerals

This product does not contain any substances designated as "conflict minerals" such as tantalum, tin, gold or tungsten from the Democratic Republic of Congo or adjacent countries.