

Bushings • for positioning clamping pins

EH 23111.



Product Description

These bushings for positioning clamping pins are available as centric and floating versions. Please observe the mounting instruction.

Material

- Case-hardened steel, case-hardened, blackened
- Stainless steel 1.4112, hardened

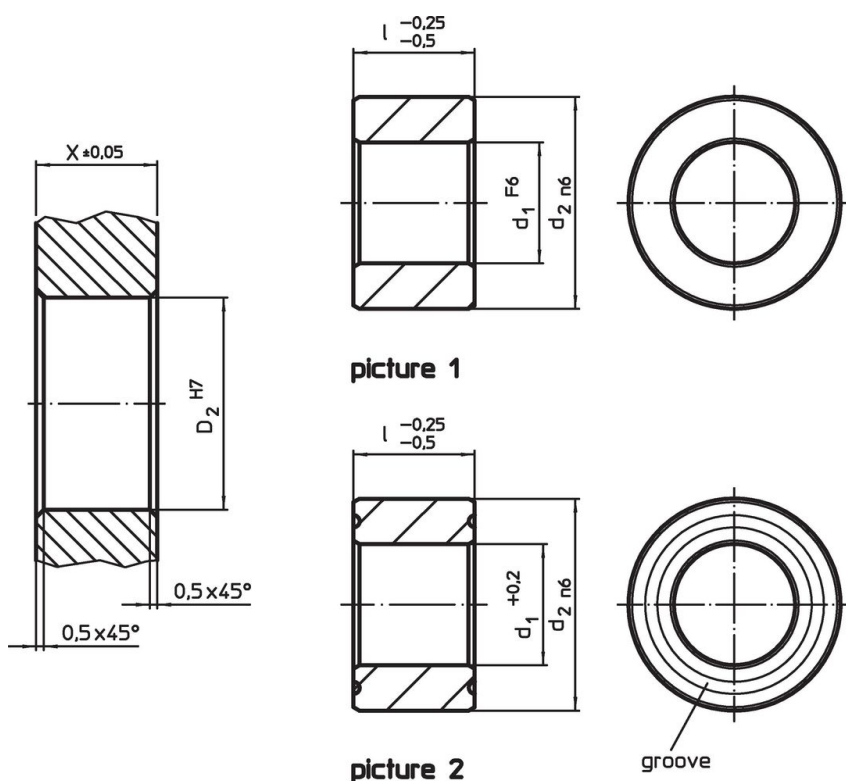
Assembly

Two centering bushings and two floating bushings are to be mounted into the plate to be clamped in order to guarantee an optimal repeatability.

Characteristic


The floating bushing has a groove that serves as a differentiation mark.

Drawing



Order information

d ₁	Dimensions		d ₂	Location hole		[g]	Art. No.
	l	[mm]		X	D ₂		
	-0.25 -0.5		n6	±0.05	H7		
central – picture 1, Case-hardened steel							
16.0F6	20		25	20	25	44	23111.0702
16.0F6	25		25	25	25	56	23111.0704
20.0F6	20		35	20	35	110	23111.0706
20.0F6	25		35	25	35	120	23111.0708
25.0F6	20		35	20	35	73	23111.0710
25.0F6	25		35	25	35	92	23111.0712
30.0F6	20		45	20	45	136	23111.0714
30.0F6	25		45	25	45	171	23111.0716

d ₁	Dimensions		d ₂	Location hole			Art. No.
	[mm]			X ±0.05	D ₂ H7		
floating – picture 2, Case-hardened steel							
16.8+0.2	20	25	25	20	25	41	23111.0732
16.8+0.2	25	25	25	25	25	51	23111.0734
20.8+0.2	20	35	35	20	35	95	23111.0736
20.8+0.2	25	35	35	25	35	120	23111.0738
25.8+0.2	20	35	35	20	35	66	23111.0740
25.8+0.2	25	35	35	25	35	84	23111.0742
30.8+0.2	20	45	45	20	45	129	23111.0744
30.8+0.2	25	45	45	25	45	161	23111.0746
central – picture 1, Stainless steel							
16.0F6	20	25	25	20	25	44	23111.0802
16.0F6	25	25	25	25	25	56	23111.0804
20.0F6	20	35	35	20	35	110	23111.0806
20.0F6	25	35	35	25	35	120	23111.0808
25.0F6	20	35	35	20	35	73	23111.0810
25.0F6	25	35	35	25	35	92	23111.0812
30.0F6	20	45	45	20	45	136	23111.0814
30.0F6	25	45	45	25	45	171	23111.0816
floating – picture 2, Stainless steel							
16.8+0.2	20	25	25	20	25	41	23111.0832
16.8+0.2	25	25	25	25	25	51	23111.0834
20.8+0.2	20	35	35	20	35	95	23111.0836
20.8+0.2	25	35	35	25	35	120	23111.0838
25.8+0.2	20	35	35	20	35	66	23111.0840
25.8+0.2	25	35	35	25	35	84	23111.0842
30.8+0.2	20	45	45	20	45	129	23111.0844
30.8+0.2	25	45	45	25	45	161	23111.0846

Compliance

RoHS compliant

Compliant according to Directive 2011/65/EU and Directive 2015/863.

Does not contain SVHC substances

No SVHC substances with more than 0.1% w/w contained - SVHC list [REACH] as of 27.06.2024.

Does not contain Proposition 65 substances

No Proposition 65 substances included.
<https://www.P65Warnings.ca.gov/>

Free from Conflict Minerals

This product does not contain any substances designated as "conflict minerals" such as tantalum, tin, gold or tungsten from the Democratic Republic of Congo or adjacent countries.